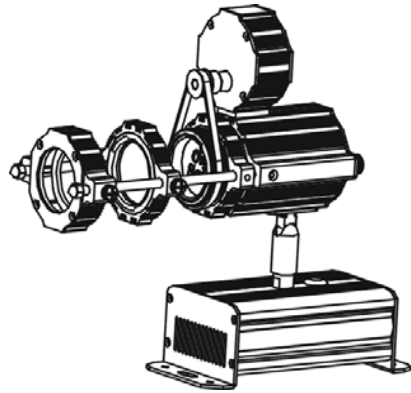
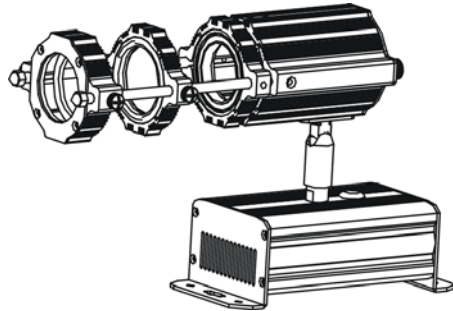


# LGP-32R/32F



**LGP-32R**



**LGP-32F**

## **User Guide**

Please read these instructions carefully before use

### **TABLE OF CONTENTS**

1. Safety Instruction
2. Features
3. Technical Specification
4. Exchange Lamp
5. Maintenance

## 1. Safety Instruction



### WARNING

Please read carefully the instruction, which includes important information about the installation, usage and maintenance.

- Please keep this User Guide for future consultation. If you sell the unit to another user, be sure that they also receive this instruction booklet.
- Unpack and check carefully there is no transportation damage before using the unit.
- Before operating, ensure that the voltage and frequency of power supply match the power requirements of the unit.
- The unit is designed for use with the HID 32/12 lamps. Do not use any other type of lamp.
- It's important to ground the yellow/green conductor to earth in order to avoid electric shock.
- The unit is for indoor use only. Use only in a dry location.
- The unit must be installed in a location with adequate ventilation, at least 50cm from adjacent surfaces. Be sure that no ventilation slots are blocked.
- Disconnect main power before lamp replacement or servicing.
- Replace lamp only with the same type.
- Make sure there are no flammable materials close to the unit while operating, as it is fire hazard.
- Use safety chain when fixes this unit. Don't handle the unit by taking its head only, but always by taking its base.
- Maximum ambient temperature TA : 40°C. Don't operate it where the temperature is higher than this.
- Unit surface temperature may reach up to 85°C. Don't touch the housing bare-hand during its operation, and allow about 15 minutes to cool down before replacing bulb or serving, as the unit could be very hot.
- In the event of serious operating problem, stop using the unit immediately. Never try to repair the unit by yourself. Repairs carried out by unskilled people can lead to damage or malfunction. Please contact the nearest authorized technical assistance center. Always use the same type spare parts.
- Don't connect the device to any dimmer pack.
- Do not touch any wire during operation as there might be a hazard of electric shock.

## Warning

- To prevent or reduce the risk of electrical shock or fire, do not expose the unit to rain or moisture.
- Never touch bulb with bare fingers, as it is very hot after using.
- Hot lamp explosion hazard. Do not open the unit within five minutes after switching off.
- Do not start on the unit without bulb enclosure or when housing is damaged.
- The housing, the lenses, or the ultraviolet filter must be replaced if they are visibly damaged.
- Do not look directly at the light while the bulb is on.

## Caution

There are no user serviceable parts inside the unit. Do not open the housing or attempt any repairs by yourself. In the unlikely event your unit may require service, please contact your nearest dealer.

## Installation

The unit should be mounted via its screw holes on the bracket. Always ensure that the unit is firmly fixed to avoid vibration and slipping while operating. And make sure that the structure to which you are attaching the unit is secure and is able to support a weight of 10 times of the unit's weight. Also always use a safety cable that can hold 12 times of the weight of the unit when installing the fixture.

The equipment must be fixed by professionals. And it must be fixed at a place where is out of the touch of people and has no one pass by or under it.

## 2. Features

- Aluminum housing
- Ultra low power consumption
- Focus adjustable
- Accept either glass or metal gobo
- Easy operation and maintenance

### 3. Technical Specification

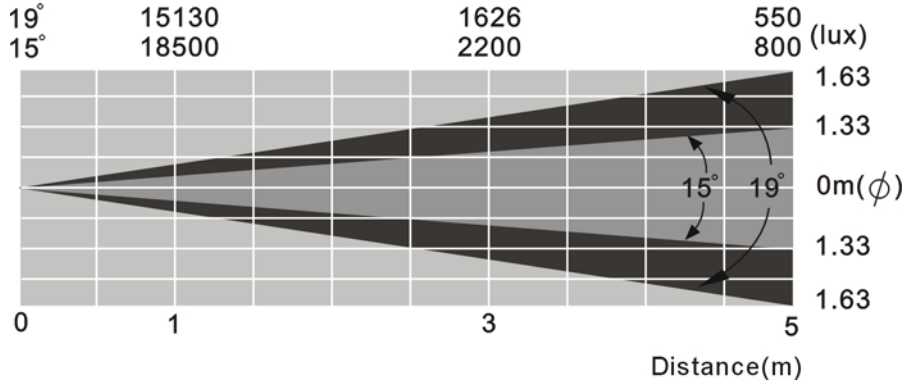
- **Power supply**

Voltage: 120/230V~50/60Hz

- **Application**

Retail, Luxury, Disco, Bar, Casino, Show room, Lobby, Restaurant, and any indoor place.

- **Photometric:**



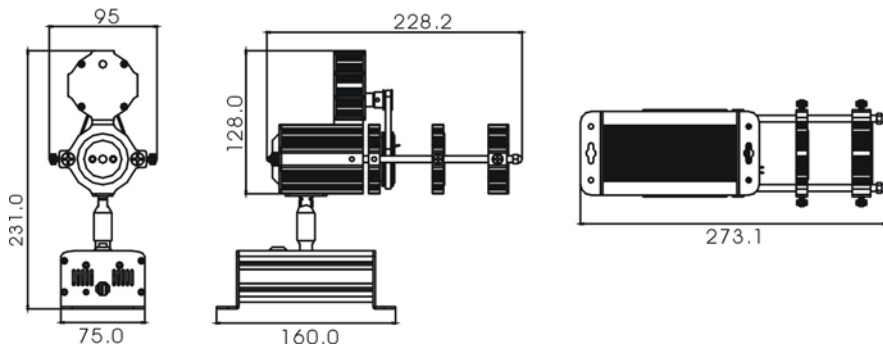
- **Dimension:** 273.1×95.0×231.0 mm (LGP-32R)

284.1×95.0×165.0 mm (LGP-32F)

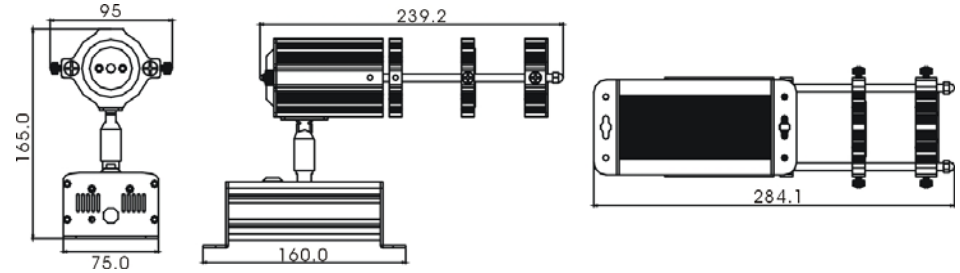
- **Weight:** 1.5 kgs (LGP-32R)

1.2 kgs (LGP-32F)

**LGP-32R**



**LGP-32F**



### 4. Exchange Lamp/Gobo

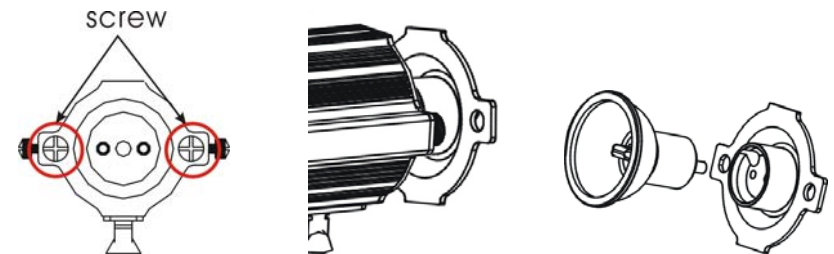
**DANGER!**

In case of replacement of the lamp, do not open the lamp accessory door within 15 minutes until the unit cools down after switching off.

- Always switch off the main supply first, wait for 15 minutes before you remove the fixture for any service. The surface of housing is hot while operation.
- Do not touch the bulb with bare hands. If this happens, clean the lamp with denatured alcohol and wipe it with a lint free cloth before installation.
- Never operate the lamp without appropriate shielding.
- Make sure the lamp is located in the center for the best spot.

#### A. Exchange Lamp:

**LAMP: HID 32/12**



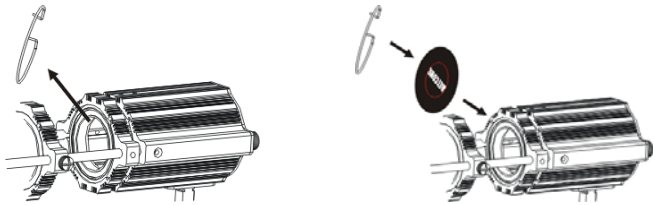
1. Unscrew the screw from the lamp accessory door

2. Remove the cover
3. Take off the lamp with carefully
4. Replace the new lamp
5. Reverse step 2 to step 1.

## B. Exchange Gobo



1. Remove steel ring from front side then take off the gobo.
2. Exchange to new gobo and fasten with steel ring.



## 5. Maintenance

The cleaning of internal and external must be carried out periodically to optimize light output. Cleaning frequency depends on the environment in which the fixture operates: damp, smoky or particularly dirty surrounding can cause greater accumulation of dirt on the unit's optics.

- Clean with soft cloth using normal glass cleaning fluid.
- Always dry the parts carefully.
- Clean the external optics at least every 20 days. Clean the internal optics at least every 30/60 days.

# Innovation, Quality, Performance