

HDA

The HDA is a 100° x 20° constant curvature line array ideal for install and portable PA. The HDA 2-Way High-Definition Powered Loudspeaker delivers 1200W of peak system power via Class-D Fast Recovery™ amplification. The Class-D amp design delivers high efficiency and, along with the lightweight switch-mode power supply, drastically reduces loudspeaker weight.

Mackie High-Definition Audio Processing provides unmatched sonic accuracy and clarity. Mackie Active technology includes a precision 2-way crossover, transducer time alignment, and phase correction. Patented acoustic correction algorithms utilize proprietary measurement tools to identify and correct sonic anomalies; this improves vocal intelligibility while removing high frequency discord.

EAW custom-designed HD Series transducers maximize efficiency and performance when matched with the system's internal amps. The 12-inch woofer uses a neodymium magnet for reduced weight, and the 3-inch voice coil dissipates heat extremely well. The dual Beyma® 1.7-inch compression drivers are mounted into a multi-cell horn.

The integrated Array Voicing mode switch allows the user to custom-tailor the array for their application by choosing the more number of HDAs in use. Full protection circuitry completes this ultra-portable, powerful and arrayable HD system.

The 15mm birch plywood enclosure is rugged and ready for install using the four integral fly points. The integrated rigging channels allow for quick setup and teardown of arrays. Use the flybar in conjunction with up to two Mackie HD1801 subwoofers and up to four HDAs for maximum array size. Or ground stack up to three HDAs on top of the HD1801 or the optional flybar. The lightweight design and the integrated dual angle pole cup allows up to two HDAs to be pole-mounted atop a subwoofer or on a tripod stand.

APPLICATIONS

Small to mid-size club/band PA systems, houses of worship, DJs, rehearsal spaces, gymnasiums, banquet halls, A/V rentals and many, many more.



FEATURES:

- 12" 2-way Constant Curvature HD Array
 - 110° x 20° coverage
 - Integrated rigging
 - Three array voicing modes allow easy system configuration
- 1200W of efficient Class-D Fast Recovery™ amplification
 - LF amp: 500W RMS / 1000W peak
 - HF amp: 100W RMS / 200W peak
- 12" neodymium woofer with 3" voice coil by EAW
- Dual Beyma® 1.7" compression drivers
- High-definition audio processing includes:
 - Revolutionary patented acoustic correction
 - Transducer time alignment and phase correction
 - Precision 2-way crossover
- Integrated limiting and protection circuitry
- Multitude of configuration options:
 - Integrated fly points or optional flybar support up to 4x HDA and up to 2x HD1801 subwoofers
 - Ground stack on HD1801 subwoofer or flybar
 - Pole mount up to 2x HDA on HD1801 subwoofer or tripod using dual angle pole cups
- Ultra-compact and lightweight (59 lb / 26.7 kg)
- Rugged all wood cabinet (15mm birch plywood)
- Supported by EAW Resolution prediction software

HDA SPECIFICATIONS

Acoustic Performance

Frequency Response (-10 dB)	52 Hz-20 kHz
Frequency Response (-3 dB)	60 Hz-18 kHz
Horizontal Coverage (-6 dB)	110° averaged 2 kHz to 10 kHz
Vertical Coverage (-6 dB)	20° averaged 2 kHz to 10 kHz
Max peak SPL (calculated) ¹	131 dB
Max peak SPL (measured) ²	124 dB
Crossover Point	1.5 kHz

¹ Calculated from driver sensitivity and amplifier power.

² Measured with pink noise, free field at 1 meter, before limiting.

Input / Output

Input Type	Female XLR balanced
Input Impedance	11 kΩ balanced
Loop Out	Male XLR balanced

Voicing Mode

1-2	Voicing for an array with 1-2 HDAs
3-4	Voicing for an array with 3-4 HDAs
3-4 Long Throw	Long Throw Voicing for an array with 3-4 HDAs

*See the Frequency Response graph on the following page

Low-Frequency Power Amplifier

Rated Power	500 watts rms 1000 watts peak
Rated THD	< 0.03%
Cooling	Convection Extrusion
Design	Class D

High-Frequency Power Amplifier

Rated Power	100 watts rms 200 watts peak
Rated THD	< 0.03%
Cooling	Convection Extrusion
Design	Class D

Low-Frequency Transducer

Diameter	12 in / 305 mm
Voice Coil Diameter	3 in / 76 mm
Diaphragm Material	Paper
Magnet Material	Neodymium

High-Frequency Transducer x2

Voice Coil Diameter	1.7 in / 43 mm
Horn Entry Diameter	0.75 in / 18 mm
Diaphragm Material	Mylar
Magnet Material	Neodymium

Line Input Power

US	100 - 120 VAC, 50 - 60 Hz, 200W
EU, CN	200 - 240 VAC, 50 - 60 Hz, 200W
AC Mains Connector	Locking Neutrik PowerCon A 20 amp, 250VAC Max input 800W
AC Loop Connector	Locking Neutrik PowerCon B 20 amp, 250VAC Max output 600W

Safety Features

RMS limiting, power supply and amplifier thermal protection

Construction Features

Basic Design	Trapezoidal, 20° included angle
Cabinet	15 mm exterior grade premium birch plywood
Finish	High durability black paint
Handles	One on each side
Grille	Powder-coated galvanized steel
Fly Points	Four M10 x 1.5 mm
Operating Temperature	0° - 40°C 32° - 104°F

Physical Properties (packaged product)

Height	27.1 in / 688 mm
Width	19.8 in / 502 mm
Depth	20.9 in / 532 mm
Shipping Weight	68 lb / 31 kg

Physical Properties (product)

Height	14.7 in / 373 mm
Width	24.7 in / 628 mm
Depth	15.9 in / 405 mm
Net Weight	59 lb / 26.7 kg

Mounting Methods

Pole mount, integral rigging flybar, stack on top or fly underneath subwoofer(s), or fly via 4 integrated M10 mounting points (using M10 x 1.5 x 37 mm forged shoulder eyebolts).

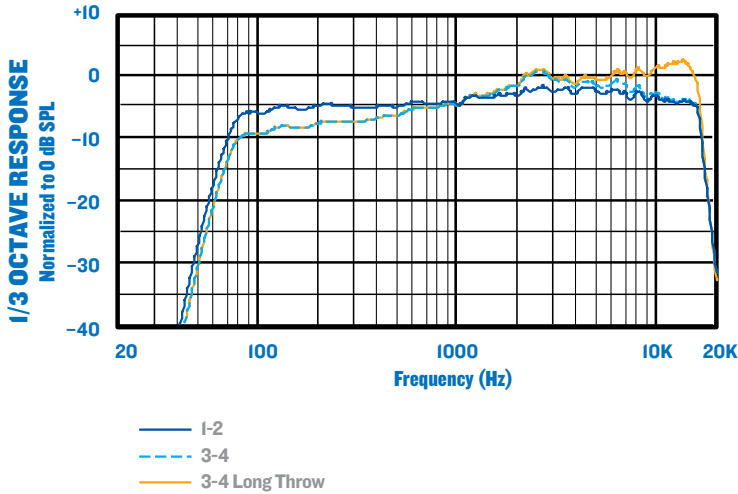
Options

PA-A2 Forged Shoulder Eyebolt Kit (4 x M10 x 1.5 mm x 37 mm)	P/N 0028272
SPM200 Loudspeaker Pole Mount	P/N 2035170-01
FB121 HDA Flybar	P/N 0031170

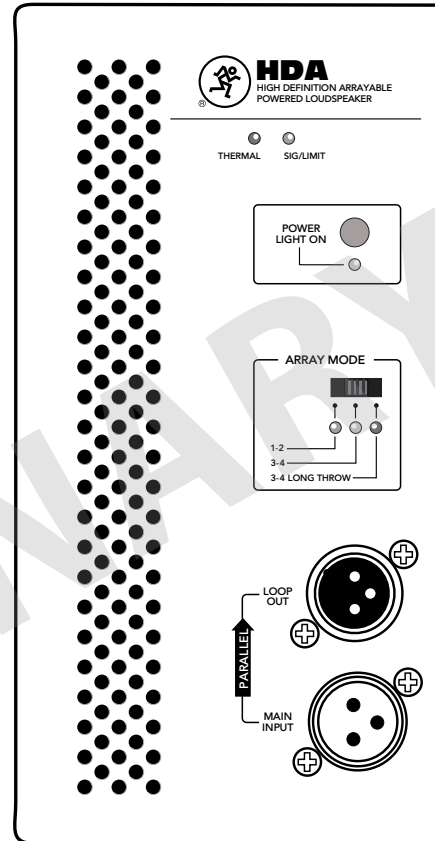
Ordering Information

HDA 12" 2-Way Arrayable Powered Loudspeaker, US	P/N 2034928-00
HDA 12" 2-Way Arrayable Powered Loudspeaker, EU	P/N 2034928-01
HDA 12" 2-Way Arrayable Powered Loudspeaker, CN	P/N 2034928-05

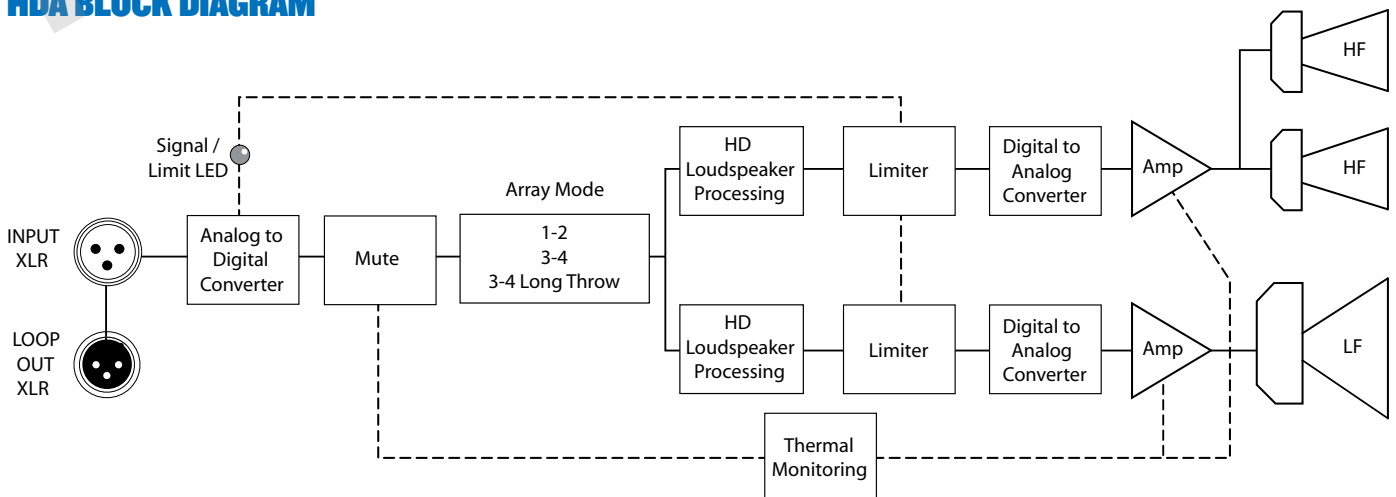
HDA FREQUENCY RESPONSE



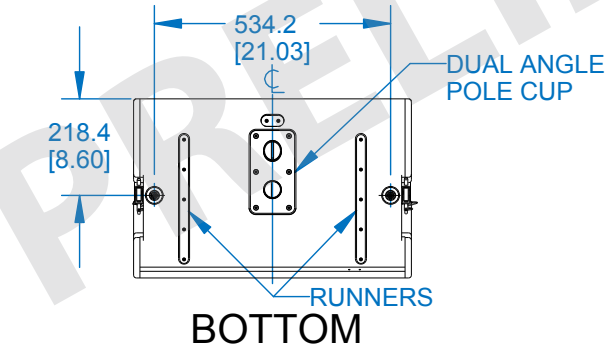
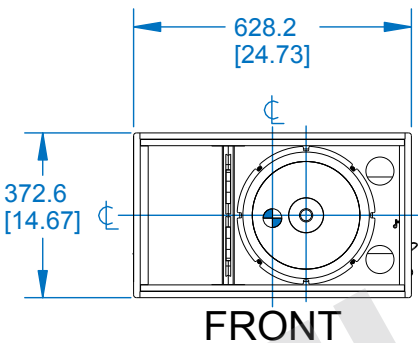
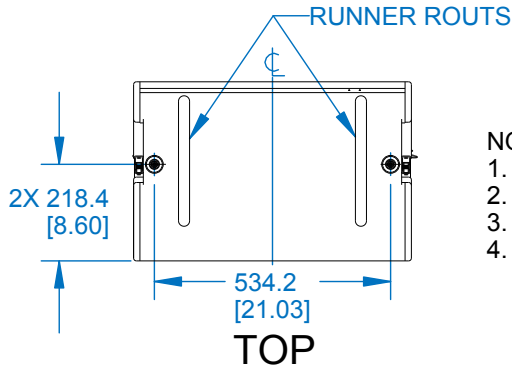
HDA INPUT PANEL



HDA BLOCK DIAGRAM

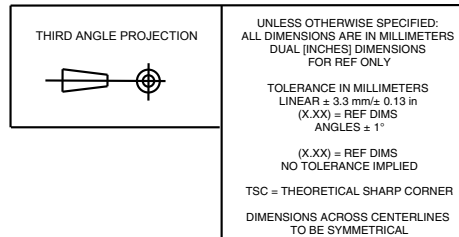
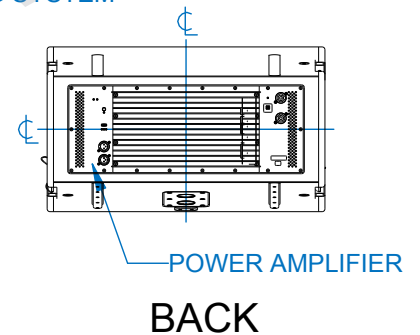
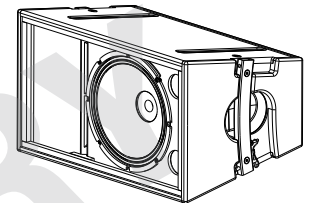
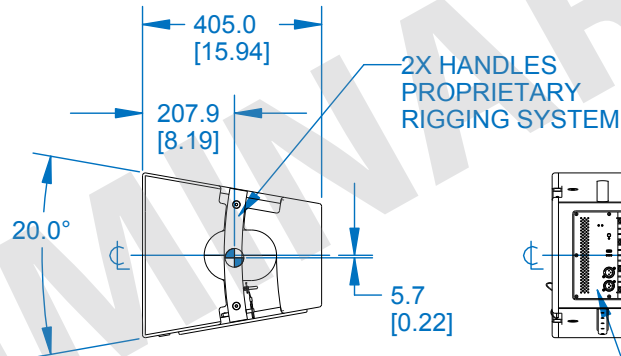


HDA DIMENSIONS



NOTES:

1. SYMBOL \oplus INDICATES CENTER OF BALANCE.
2. SYMBOL \odot INDICATES PI ANGLE M10.
3. WEIGHT APPROX. 26.7 kg [59 lb]
4. SHIPPING WEIGHT APPROX. 31 kg [68 lb]



Electronic files for this product are available at:

www.mackie.com

Specification Sheet	HDA_SS.PDF
Owner's Manual	HDA_OM.PDF
EASE Data	HDA_EASE_DATA.zip

Since we are always striving to make our products better by incorporating new and improved materials, components, and manufacturing methods, we reserve the right to change these specifications at any time without notice. "Mackie" and the "Running Man" figure are registered trademarks of LOUD Technologies Inc. All other brand names mentioned are trademarks or registered trademarks of their respective holders, and are hereby acknowledged.

MACKIE®

www.mackie.com
16220 Wood-Red Road NE
Woodinville, WA 98072 USA
800-898-3211, Fax 425-487-4337, sales@mackie.com

Part No. SW0862 Rev. A 06/10

©2010 LOUD Technologies Inc. All Rights Reserved.