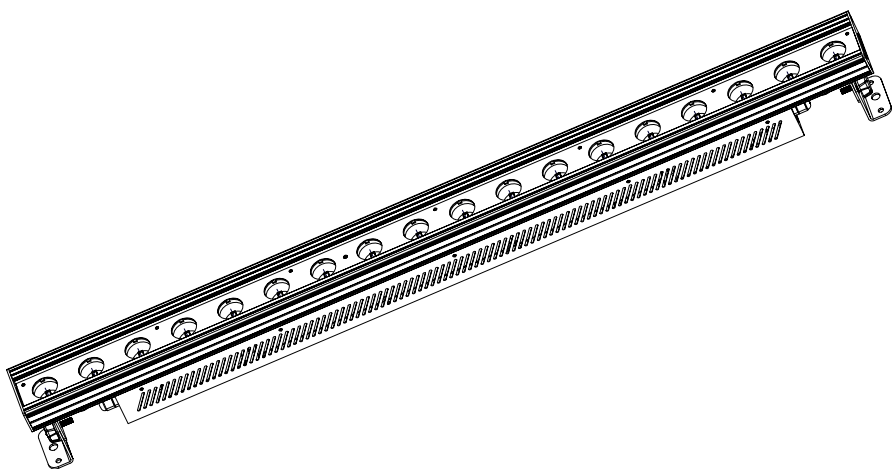




Ultra Kling Bar 18



User Instructions

©2013 ADJ Products, LLC all rights reserved. Information, specifications, diagrams, images, and instructions herein are subject to change without notice. ADJ Products, LLC logo and identifying product names and numbers herein are trademarks of ADJ Products, LLC. Copyright protection claimed includes all forms and matters of copyrightable materials and information now allowed by statutory or judicial law or hereinafter granted. Product names used in this document may be trademarks or registered trademarks of their respective companies and are hereby acknowledged. All non-ADJ Products, LLC brands and product names are trademarks or registered trademarks of their respective companies.

ADJ Products, LLC and all affiliated companies hereby disclaim any and all liabilities for property, equipment, building, and electrical damages, injuries to any persons, and direct or indirect economic loss associated with the use or reliance of any information contained within this document, and/or as a result of the improper, unsafe, insufficient and negligent assembly, installation, rigging, and operation of this product.

Europe Energy Saving Notice
Energy Saving Matters (EuP 2009/125/EC)
Saving electric energy is a key to help protecting the environment. Please turn off all electrical products when they are not in use. To avoid power consumption in idle mode, disconnect all electrical equipment from power when not in use. Thank you!

Ultra Kling Bar 18

Introduction

Unpacking: Thank you for purchasing the Ultra Kling Bar 18 by ADJ Products, LLC. Every Ultra Kling Bar 18 has been thoroughly tested and has been shipped in perfect operating condition. Carefully check the shipping carton for damage that may have occurred during shipping. If the carton appears to be damaged, carefully inspect your fixture for any damage and be sure all accessories necessary to operate the unit has arrived intact. In the case damage has been found or parts are missing, please contact our toll free customer support number for further instructions. Do not return this unit to your dealer without first contacting customer support.

Introduction: The ADJ Ultra Kling Bar 18 is a professional grade indoor linear wash bar. It features individual pixel control allowing for this product to be used in conjunction with Arkaos Kling-Net software to project low-res video across one or multiple fixtures. This fixture can be used in a stand alone mode or connected in a Master/Slave configuration. This wash has six operating modes: Sound Active mode, Auto mode, Program mode, RGB Dimmer mode, Net Control, and DMX control mode.

Customer Support: ADJ Products, LLC provides a customer support line, to provide set up help and to answer any question should you encounter problems during your set up or initial operation. You may also visit us on the web at www.adj.com for any comments or suggestions. Service Hours are Monday through Friday 8:00 a.m. to 4:30 p.m. Pacific Standard Time.

Voice: (800) 322-6337
Fax: (323) 582-2941
E-mail: support@americandj.com

Warning! To prevent or reduce the risk of electrical shock or fire, do not expose this unit to rain or moisture.

Caution! There are no user serviceable parts inside this unit. Do not attempt any repairs yourself, doing so will void your manufactures warranty. In the unlikely event your unit may require service please contact ADJ Products, LLC.

PLEASE recycle the shipping carton when ever possible.

Ultra Kling Bar 18

Features

- Multicolors
- Six Operating Modes
- Electronic Dimming 0-100%
- Built in Microphone
- DMX-512 protocol
- 3-Pin DMX Connection
- Kling-Net and Art-Net Compatible (Recommended control solutions; Arkaos Media Master Express, Media Master Pro, and LED Master software's (sold separately).
- 7 DMX Modes: 3 Channel Mode, 4 Channel Mode, 6 Channel Mode, 8 Channel Mode, 9 Channel Mode, 15 Channel Mode, and 54 Channel Mode
- Power Cord Daisy Chain (See page 25)

Ultra Kling Bar 18

Warranty Registration

The Ultra Kling Bar 18 carries a 2 year limited warranty. Please fill out the enclosed warranty card to validate your purchase. All returned service items whether under warranty or not, must be freight pre-paid and accompany a return authorization (R.A.) number. The R.A. number must be clearly written on the outside of the return package. A brief description of the problem as well as the R.A. number must also be written down on a piece of paper included in the shipping carton. If the unit is under warranty, you must provide a copy of your proof of purchase invoice. You may obtain a R.A. number by contacting our customer support team on our customer support number. All packages returned to the service department not displaying a R.A. number on the outside of the package will be returned to the shipper.

Ultra Kling Bar 18

Installation

The unit should be mounted using a mounting clamp (not provided), affixing it to the mounting bracket that is provided with the unit. Always ensure that the unit is firmly fixed to avoid vibration and slipping while operating. Always ensure that the structure to which you are attaching the unit is secure and is able to support a weight of 10 times the unit's weight. Also, always use a safety cable that can hold 12 times the weight of the unit when installing the fixture. The equipment must be installed by a professional, and it must be installed in a place where it is out of the reach of people's grasp.

- To reduce the risk of electrical shock or fire, do not expose this unit rain or moisture
- Do not spill water or other liquids into or on to your unit.
- Do not attempt to operate this unit if the power cord has been frayed or broken. Do not attempt to remove or break off the ground prong from the electrical cord. This prong is used to reduce the risk of electrical shock and fire in case of an internal short.
- Disconnect from main power before making any type of connection.
- Do not remove the cover under any conditions. There are no user serviceable parts inside.
- Never operate this unit when it's cover is removed.
- Never plug this unit in to a dimmer pack
- Always be sure to mount this unit in an area that will allow proper ventilation. Allow about 6" (15cm) between this device and a wall.
- Do not attempt to operate this unit, if it becomes damaged.
- This unit is intended for indoor use only, use of this product out doors voids all warranties.
- During long periods of non-use, disconnect the unit's main power.
- Always mount this unit in safe and stable matter.
- Power-supply cords should be routed so that they are not likely to be walked on or pinched by items placed upon or against them, paying particular attention to the point they exit from the unit.
- Cleaning -The fixture should be cleaned only as recommended by the manufacturer. See page 26 for cleaning details.
- Heat -The appliance should be situated away from heat sources such as radiators, heat registers, stoves, or other appliances (including amplifiers) that produce heat.
- The fixture should be serviced by qualified service personnel when:
 - A. The power-supply cord or the plug has been damaged.
 - B. Objects have fallen, or liquid has been spilled into the appliance.
 - C. The appliance has been exposed to rain or water.
 - D. The appliance does not appear to operate normally or exhibits a marked change in performance.

Power Supply: The ADJ Ultra Kling Bar 18 contains a automatic voltage switch, which will auto sense the voltage when it is plugged into the power source. With this switch there is no need to worry about the correct power voltage, this unit can be plugged in anywhere.

DMX-512: DMX is short for Digital Multiplex. This is a universal protocol used as a form of communication between intelligent fixtures and controllers. A DMX controller sends DMX data instructions from the controller to the fixture. DMX data is sent as serial data that travels from fixture to fixture via the DATA "IN" and DATA "OUT" XLR terminals located on all DMX fixtures (most controllers only have a DATA "OUT" terminal).

DMX Linking: DMX is a language allowing all makes and models of different manufactures to be linked together and operate from a single controller, as long as all fixtures and the controller are DMX compliant. To ensure proper DMX data transmission, when using several DMX fixtures try to use the shortest cable path possible. The order in which fixtures are connected in a DMX line does not influence the DMX addressing. For example; a fixture assigned a DMX address of 1 may be placed anywhere in a DMX line, at the beginning, at the end, or anywhere in the middle. When a fixture is assigned a DMX address of 1, the DMX controller knows to send DATA assigned to address 1 to that unit, no matter where it is located in the DMX chain.

Data Cable (DMX Cable) Requirements (For DMX Operation):

The Ultra Kling Bar 18 can be controlled via DMX-512 protocol. The Ultra Kling Bar 18 has 7 DMX channel modes, please see pages 9-10 for the different modes. The DMX address is set on the back panel of the Ultra Kling Bar 18. Your unit and your DMX controller require a standard 3-pin XLR connector for data input and data output (Figure 1). We recommend Accu-Cable DMX cables. If you are making your own cables, be sure to use standard 110-120 Ohm shielded cable (This cable may be purchased at almost all pro lighting stores). Your cables should be made with a male and female XLR connector on either end of the cable. Also remember that DMX cable must be daisy chained and cannot be split.



Figure 1

Notice: Be sure to follow figures two and three when making your own cables. Do not use the ground lug on the XLR connector. Do not connect the cable’s shield conductor to the ground lug or allow the shield conductor to come in contact with the XLR’s outer casing. Grounding the shield could cause a short circuit and erratic behavior.



Figure 2

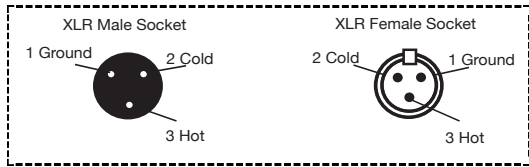


Figure 3

XLR Pin Configuration	
Pin 1 =	Ground
Pin 2 =	Data Compliment (negative)
Pin 3 =	Data True (positive)

Special Note: Line Termination. When longer runs of cable are used, you may need to use a terminator on the last unit to avoid erratic behavior. A terminator is a 110-120 ohm 1/4 watt resistor which is connected between pins 2 and 3 of a male XLR connector (DATA + and DATA -). This unit is inserted in the female XLR connector of the last unit in your daisy chain to terminate the line. Using a cable terminator (ADJ part number Z-DMX/T) will decrease the possibilities of erratic behavior.



Termination reduces signal errors and avoids signal transmission problems and interference. It is always advisable to connect a DMX terminal. (Resistance 120 Ohm 1/4 W) between PIN 2 (DMX-) and PIN 3 (DMX +) of the last fixture.

Figure 4

5-Pin XLR DMX Connectors. Some manufactures use 5-pin DMX-512 data cables for DATA transmission in place of 3-pin. 5-pin DMX fixtures may be implemented in a 3-pin DMX line. When inserting standard 5-pin data cables in to a 3-pin line a cable adaptor must be used, these adaptors are readily available at most electric stores. The chart below details a proper cable conversion.

3-Pin XLR to 5-Pin XLR Conversion		
Conductor	3-Pin XLR Female (Out)	5-Pin XLR Male (In)
Ground/Shield	Pin 1	Pin 1
Data Compliment (- signal)	Pin 2	Pin 2
Data True (+ signal)	Pin 3	Pin 3
Not Used		Do Not Use
Not Used		Do Not Use

LCD Display Lock:

The display will lock after 30 seconds. Press and hold the MODE button for at least 5 seconds to unlock the display and access the menu.

LED Display On/Off:

To set the LED display light to turn off after 30 seconds, press the MODE button until “OTHER” is displayed. Press the SET UP button so that BLGT:XXX” is displayed. “XXX” represents either ON or OFF. Press the UP or DOWN buttons so that OFF is displayed. Now the display light will turn off after 30s. Press any button to turn the display on again.

Operating Modes:

The Ultra Kling Bar 18 has six operating modes:

- Sound-Active mode - The unit will react to sound, chasing through the built in programs.
- Built-In Program - There are 14 built-in programs to choose from.
- Auto Mode - A auto program will run with adjustable auto run cycles.
- Dimmer Mode - Choose one of the three colors to remain static or adjust the intensity of each color to make your desired color.
- DMX control mode - This function will allow you to control each individual fixtures traits with a standard DMX 512 controller.

Dimmer Mode:

1. Plug the fixture in and press the MODE button until “MANUAL” is displayed. Then press the SET UP button to scroll through RGB colors.
2. When “RED:XXX” is displayed you are in Red dimming mode. Press the UP and DOWN buttons to adjust intensity.
3. When “GREN:XXX” is displayed you are in Green dimming mode. Press the UP and DOWN buttons to adjust intensity.
4. When “BLUE:XXX” is displayed you are in Blue dimming mode. Press the UP and DOWN buttons to adjust intensity.

Program Mode:

1. Plug the fixture in and press the MODE button until “PROGRAM PRO:XX is displayed. “XX” represents a number from 1-14. Use the UP or DOWN buttons to scroll through the 14 programs.

- Programs 1, 13, & 14 have adjustable colors. Once you have found your desired program press the SET UP button.
- Pressing the SET UP button will display "SPEED:XX". When this is displayed you can adjust the running speed of your desired program. Use the UP or DOWN button to adjust the speed between "01" (slowest) and "99" (fastest). Once you have set your desired running speed, you can press the SET UP button to enter the fade adjustment mode.
 - Pressing the SET UP button will display "FADE:XX". When this is displayed you can adjust the fade speed of your desired program. Use the UP or DOWN button to adjust the speed between "01" (fastest) and "99" (slowest) or "00" (Off).
 - PROGRAMS 13 & 14** - If you have chosen programs 13 or 14, after the fade adjustment, press the SET UP button. "BACK:XX" will be displayed. This is the base or background color, use the UP and DOWN buttons to scroll through the different color settings. Once you have chosen your base color, press the SET UP button again so that "COLO:XX" is displayed. This is the moving color, use the UP and DOWN buttons to scroll through the different colors.

NOTE: The settings for Program 13 will be reflected in 2 Color Flow 1 (values 187-202) and the settings for Program 14 will be reflected in 2 Color Flow 2 (values 203-218) in the DMX modes that have these programs.

Auto Run Mode:

In this mode the Ultra Kling Bar 18 will run a auto program.

- Plug the fixture in and press the MODE button until "AUTO RUN LAPS:XXX" is displayed. "XXX" represents the number of program cycles.
- Use the UP and DOWN buttons to adjust the number of program cycles.

Sound Active Mode:

In this mode the Ultra Kling Bar 18 will react to sound, and chase through the different colors.

- Plug the fixture in and press the MODE button until "SOUND SENS:XX" is displayed. "XX" represents the sound sensitivity level.

- Use the UP or DOWN buttons to adjust the sound sensitivity. "00" is off, "01" is the least sensitive, and "31" is the most sensitive.

Net Control Mode (Kling-net or Art-net Control):

- Plug the fixture in and press the MODE button until "NET MODE 18*1" is displayed. In this mode the SET UP, UP, & DOWN buttons will not work. The light can now be controlled by Kling-net or Art-net. See page 11 for Kling-Net and Art-Net operation.

DMX Mode:

Operating through a DMX controller gives the user the freedom to create their own programs tailored to their own individual needs. This function also allows you to use your fixtures as spot lights. The Ultra Kling Bar 18 has 7 DMX modes: 3 Channel mode, 4 Channel mode, 6 Channel mode, 8 Channel mode, 9 Channel mode, 15 Channel mode, and a 54 Channel mode. See pages 13-23 for each modes' DMX traits.

- This function will allow you to control each individual fixture's traits with a standard DMX 512 controller.
- To run your fixture in DMX mode press the MODE button until "DMX MODE" is displayed. Press the SET UP button so that "ADDR:XXX" is displayed. "XXX" represents the displayed DMX address. Use the UP or DOWN buttons to scroll through and find your desired DMX address.
- After you have set your DMX address press the SET UP button so that "CHAN:XX" is displayed. "XX" represents the current DMX Channel mode that is displayed. Use the UP or DOWN buttons to scroll through the DMX Channel modes.
- After you have chosen your desired DMX Channel mode plug in the fixture via the XLR connections to any standard DMX controller.

Default Running Mode:

This is a default running mode. When this mode is activated all modes will return to their default settings and a Auto program will run.

- Plug the fixture in and press the MODE and SET UP buttons at the same time.

Flip The Pixel:

In this mode you can adjust the pixel starting point so that the LEDs in DMX mode can start illuminating at either end.

1. Plug the fixture in and press the MODE button until “OTHER” is displayed.
2. Press the SET UP button until “FLIP:XX” is displayed. “XX” represents either “ON” or “OFF”.
3. Press the UP or DOWN buttons to either “flip” the pixel starting point (On) or change it back to its original starting point (Off).

Dimmer Curve:

This is used to set the dimming curve used with DMX mode. See page 27 for the different dimming curves.

1. Plug the fixture in and press the MODE button until “DMX MODE” is displayed.
2. Press the SET UP button until “DELAY:X” is displayed. “X” represents the displayed dimmer curve (0-4).
 - 0 - Standard
 - 1 - Stage
 - 2 - TV
 - 3 - Architectural
 - 4 - Theatre
3. Press the UP or DOWN buttons to scroll through and select your desired dimming curve.

DMX State:

This mode can be used as a precaution mode, that in case the DMX signal is lost, the operating mode chosen in the setup is the running mode the fixture will go into when the DMX signal is lost. You can also set this as the operating mode you would like the unit to return to when power is applied.

1. Press the MODE button until “DMX MODE NO: XXXX” is displayed. “XXXX” represents the current DMX state that is displayed.
2. Use the UP or DOWN buttons to operating mode you would like the unit to start up in when power is applied or the DMX signal is lost.

- AUTO - If the DMX signal is lost or power is applied, the unit will automatically into Auto Run.

- BLACK - If the DMX signal is lost or power is applied, the unit will automatically go into stand by mode.
- HOLD - If the DMX signal is lost the fixture will stay in the last DMX set up. If power is applied and this mode is set, the unit will automatically go into the last DMX set up.

Ultra Kling Bar 18 Master-Slave Configuration

Master-Slave Configuration:

This function will allow you to link units together to run in a Master-Slave mode. In a Master-Slave configuration one unit will act as the controlling unit and the others will react to the controlling units built-in programs. Any unit can act as a Master or as a Slave however, only one unit can be programmed to act as the “Master.”

Master-Slave Connections and Settings:

1. Daisy chain your units via the attached XLR connectors.
Use standard XLR data cables to link your units together. Remember that the Male XLR connector is the input and the Female XLR connector is the output. The first unit in the chain (master) will use the female XLR connector only. The last unit in the chain will use the male XLR connector only.
2. Set the “Master” unit to your desired operating mode and then connect the “Slave” unit or units.
3. For the “Slave” unit(s) press the MODE button until “SLAVE MODE” is displayed. The “Slave” unit(s) will now follow the “Master” unit.

Ultra Kling Bar 18 Kling-Net or Art-Net Operation

1. Set the Ultra Kling Bar 18 to NET CONTROL MODE. See page 9 Net Control Mode and follow the instructions.
2. Install one of the recommended operating softwares onto your computer. Recommended softwares; Arkaos Media Master Express, Media Master Pro, or LED Master (Sold Separately).
2. Connect the panels via CAT 5 Straight Network cable. **When creating your own custom cable, use RJ45 Straight Network cable. See page 24 for connection information.**
3. Map the fixtures using KlingNetMapper or Art-Net Mapper.
4. Control the fixtures using ArKaos or Art-Net software. Please refer to the media playback software user manual for further instructions.

Note: ArKaos Kling-Net requires a gigabit (1000 mbps) Ethernet card and network router for a smoother operation.

Ultra Kling Bar 18		3 Channel Mode
Channel	Value	Function
1	0 - 255	RED 0% - 100%
2	0 - 255	GREEN 0% - 100%
3	0 - 255	BLUE 0% - 100%

Ultra Kling Bar 18		4 Channel Mode
Channel	Value	Function
1	0 - 255	RED 0% - 100%
2	0 - 255	GREEN 0% - 100%
3	0 - 255	BLUE 0% - 100%
4	0 - 255	MASTER DIMMER 0% - 100%

Ultra Kling Bar 18		6 Channel Mode
Channel	Value	Function
1	0 - 255	RED 0% - 100%
2	0 - 255	GREEN 0% - 100%
3	0 - 255	BLUE 0% - 100%
4	0 - 255	MASTER DIMMER 0% - 100%
5	0 1 - 255	STROBING OFF SLOW - FAST
6		COLOR MACROS Please see the macro chart on page 25

Ultra Kling Bar 18		8 Channel Mode
Channel	Value	Function
1	0 - 255	RED 0% - 100%
2	0 - 255	GREEN 0% - 100%
3	0 - 255	BLUE 0% - 100%
4	0 - 255	MASTER DIMMER 0% - 100%
5	0 1 - 255	STROBING OFF SLOW - FAST
6		COLOR MACROS Please see the macro chart on page 25
7	0 - 10 11 - 26 27 - 42 43 - 58 59 - 74 75 - 90 91 - 106 107 - 122 123 - 138 139 - 154 155 - 170 171 - 186 187 - 202 203 - 218 219 - 255	PROGRAMS OFF SLOW FADE FAST FADE COLOR FADE COLOR CHANGE COLOR FLOW 1 COLOR FLOW 2 COLOR FLOW 3 COLOR FLOW 4 DOUBLE FLOW 1 DOUBLE FLOW 2 MULTI COLOR 2 COLOR FLOW 1 2 COLOR FLOW 2 SOUND ACTIVE
8	0 - 255 0 - 255	PROGRAM SPEED/SOUND SENSITIVE PROGRAM SPEED SLOW - FAST SOUND SENSITIVITY LEAST SENSITIVE - MOST SENSITIVE

See page 17 (9 Channel Mode) for the guidelines of using color macros, programs and program speeds.

Ultra Kling Bar 18		9 Channel Mode
Channel	Value	Function
1	0 - 255	RED 0% - 100%
2	0 - 255	GREEN 0% - 100%
3	0 - 255	BLUE 0% - 100%
4	0 - 255	MASTER DIMMER 0% - 100%
5	0 1 - 255	STROBING OFF SLOW - FAST
6		COLOR MACROS Please see the macro chart on page 25
7	0 - 10 11 - 26 27 - 42 43 - 58 59 - 74 75 - 90 91 - 106 107 - 122 123 - 138 139 - 154 155 - 170 171 - 186 187 - 202 203 - 218 219 - 255	PROGRAMS OFF SLOW FADE FAST FADE COLOR FADE COLOR CHANGE COLOR FLOW 1 COLOR FLOW 2 COLOR FLOW 3 COLOR FLOW 4 DOUBLE FLOW 1 DOUBLE FLOW 2 MULTI COLOR 2 COLOR FLOW 1 2 COLOR FLOW 2 SOUND ACTIVE
8	0 - 255 0 - 255	PROGRAM SPEED/SOUND SENSITIVE PROGRAM SPEED SLOW - FAST SOUND SENSITIVITY LEAST SENSITIVE - MOST SENSITIVE

Ultra Kling Bar 18		9 Channel Mode
Channel	Value	Function
9	0 - 20	DIMMER CURVES
	21 - 40	STANDARD
	41 - 60	STAGE
	61 - 80	TV
	81 - 100	ARCHITECTURAL
	101 - 255	THEATRE
		DEFAULT TO UNIT CURVE SETTING

The color output of 2 Color Flow 1 is set in Program 13. The color output of 2 Color Flow 2 is set in Program 14

When Channel 6 is being used, Channels 1-3 will not function.

When Channel 7 is between the values of 11-218, Channel 8 will control the program speed.

When Channel 7 is between the values of 219-255, Channel 8 will control the sound sensitivity.

Ultra Kling Bar 18		15 Channel Mode
Channel	Value	Function
1	0 - 255	RED 1-6 0% - 100%
2	0 - 255	GREEN 1-6 0% - 100%
3	0 - 255	BLUE 1-6 0% - 100%
4	0 - 255	RED 7-12 0% - 100%
5	0 - 255	GREEN 7-12 0% - 100%
6	0 - 255	BLUE 7-12 0% - 100%
7	0 - 255	RED 13-18 0% - 100%
8	0 - 255	GREEN 13-18 0% - 100%
9	0 - 255	BLUE 13-18 0% - 100%
10	0 - 255	MASTER DIMMER 0% - 100%
11	0 1 - 255	STROBING OFF SLOW - FAST
12		COLOR MACROS Please see the macro chart on page 25
13	0 - 10 11 - 26 27 - 42 43 - 58 59 - 74 75 - 90 91 - 106 107 - 122	PROGRAMS OFF SLOW FADE FAST FADE COLOR FADE COLOR CHANGE COLOR FLOW 1 COLOR FLOW 2 COLOR FLOW 3

Ultra Kling Bar 18		15 Channel Mode
Channel	Value	Function
13	123 - 138	PROGRAMS
	139 - 154	COLOR FLOW 4
	155 - 170	DOUBLE FLOW 1
	171 - 186	DOUBLE FLOW 2
	187 - 202	MULTI COLOR
	203 - 218	2 COLOR FLOW 1
	219 - 255	2 COLOR FLOW 2
		SOUND ACTIVE
14	0 - 255	PROGRAM SPEED/SOUND SENSITIVE
	0 - 255	PROGRAM SPEED SLOW - FAST
		SOUND SENSITIVITY LEAST SENSITIVE - MOST SENSITIVE
15	0 - 20	DIMMER CURVES
	21 - 40	STANDARD
	41 - 60	STAGE
	61 - 80	TV
	81 - 100	ARCHITECTURAL
	101 - 255	THEATRE DEFAULT TO UNIT CURVE SETTING

The color output of 2 Color Flow 1 is set in Program 13. The color output of 2 Color Flow 2 is set in Program 14

When Channel 12 is being used, Channels 1-9 will not function.

When Channel 13 is between the values of 11-218, Channel 14 will control the program speed.

When Channel 13 is between the values of 219-255, Channel 14 will control the sound sensitivity.

Ultra Kling Bar 18		54 Channel Mode
Channel	Value	Function
1	0 - 255	RED 1 0% - 100%
2	0 - 255	GREEN 1 0% - 100%
3	0 - 255	BLUE 1 0% - 100%
4	0 - 255	RED 2 0% - 100%
5	0 - 255	GREEN 2 0% - 100%
6	0 - 255	BLUE 2 0% - 100%
7	0 - 255	RED 3 0% - 100%
8	0 - 255	GREEN 3 0% - 100%
9	0 - 255	BLUE 3 0% - 100%
10	0 - 255	RED 4 0% - 100%
11	0 - 255	GREEN 4 0% - 100%
12	0 - 255	BLUE 4 0% - 100%
13	0 - 255	RED 5 0% - 100%
14	0 - 255	GREEN 5 0% - 100%
15	0 - 255	BLUE 5 0% - 100%
16	0 - 255	RED 6 0% - 100%
17	0 - 255	GREEN 6 0% - 100%

Ultra Kling Bar 18		54 Channel Mode
Channel	Value	Function
18	0 - 255	BLUE 6 0% - 100%
19	0 - 255	RED 7 0% - 100%
20	0 - 255	GREEN 7 0% - 100%
21	0 - 255	BLUE 7 0% - 100%
22	0 - 255	RED 8 0% - 100%
23	0 - 255	GREEN 8 0% - 100%
24	0 - 255	BLUE 8 0% - 100%
25	0 - 255	RED 9 0% - 100%
26	0 - 255	GREEN 9 0% - 100%
27	0 - 255	BLUE 9 0% - 100%
28	0 - 255	RED 10 0% - 100%
29	0 - 255	GREEN 10 0% - 100%
30	0 - 255	BLUE 10 0% - 100%
31	0 - 255	RED 11 0% - 100%
32	0 - 255	GREEN 11 0% - 100%
33	0 - 255	BLUE 11 0% - 100%
34	0 - 255	RED 12 0% - 100%

Ultra Kling Bar 18		54 Channel Mode
Channel	Value	Function
35	0 - 255	GREEN 12 0% - 100%
36	0 - 255	BLUE 12 0% - 100%
37	0 - 255	RED 13 0% - 100%
38	0 - 255	GREEN 13 0% - 100%
39	0 - 255	BLUE 13 0% - 100%
40	0 - 255	RED 14 0% - 100%
41	0 - 255	GREEN 14 0% - 100%
42	0 - 255	BLUE 14 0% - 100%
43	0 - 255	RED 15 0% - 100%
44	0 - 255	GREEN 15 0% - 100%
45	0 - 255	BLUE 15 0% - 100%
46	0 - 255	RED 16 0% - 100%
47	0 - 255	GREEN 16 0% - 100%
48	0 - 255	BLUE 16 0% - 100%
49	0 - 255	RED 17 0% - 100%
50	0 - 255	GREEN 17 0% - 100%
51	0 - 255	BLUE 17 0% - 100%

Ultra Kling Bar 18		54 Channel Mode
Channel	Value	Function
52	0 - 255	RED 18 0% - 100%
53	0 - 255	GREEN 18 0% - 100%
54	0 - 255	BLUE 18 0% - 100%

Ultra Kling Bar 18		Color Macro Chart
0		OFF
1 - 7		BASTARD AMBER
8 - 15		MEDIUM AMBER
16 - 23		PALE AMBER GOLD
24 - 31		GALLO GOLD
32 - 39		GOLDEN AMBER
40 - 47		LIGHT RED
48 - 55		MEDIUM RED
56 - 63		MEDIUM PINK
64 - 71		BROADWAY PINK
72 - 79		FOLLIES PINK
80 - 87		LIGHT LAVENDER
88 - 95		SPECIAL LAVENDER
96 - 103		LAVENDER
104 - 111		INDIGO
112 - 119		HEMSLEY BLUE
120 - 127		TIPTON BLUE
128 - 135		LIGHT STEEL BLUE
136 - 143		LIGHT SKY BLUE
144 - 151		SKY BLUE
152 - 159		BRILLIANT BLUE
160 - 167		LIGHT GREEN BLUE
168 - 175		BRIGHT BLUE
176 - 183		PRIMARY BLUE
184 - 191		CONGO BLUE
192 - 199		PALE YELLOW GREEN
200 - 207		MOSS GREEN
208 - 215		PRIMARY GREEN
216 - 223		DOUBLE CTB
224 - 231		FULL RED
232 - 239		FULL GREEN
240 - 247		FULL BLUE
248 - 255		WHITE

Ultra Kling Bar 18

Connections

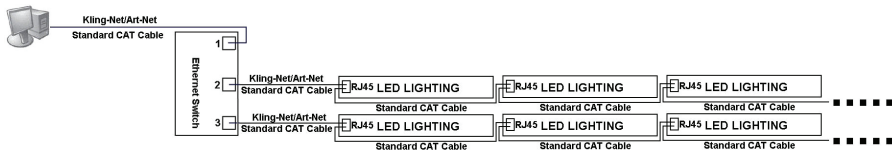
Installation method 1:



Note: Do not daisy-chain more than 50 bars when connected directly from the computer. Use an Ethernet Switch if more than 50 bars are being controlled.

When connecting you must use a CAT 5 Straight Network cable.

Installation method 2:



- Note: 1. The Ethernet Switch must be Gigabit Switch.
 2. Do not daisy-chain more than 50pcs LED panels from a single network port of the Ethernet Switch.
 3. Maximum 2 output network ports of the Ethernet Switch can be used. So the system can control 100pcs maximum.

When connecting you must use a CAT 5 Straight Network cable.

Ultra Kling Bar 18

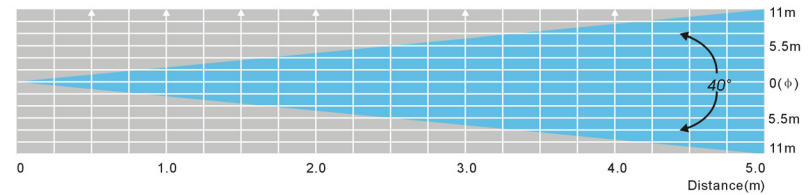
Power Cord Daisy Chain

With this feature you can connect the fixtures to one another using the IEC input and output sockets. The quantity that can be connected is 6 fixtures maximum. After 6 fixtures you will need to use a new power outlet. They must be the same fixtures. DO NOT mix fixtures.

Ultra Kling Bar 18

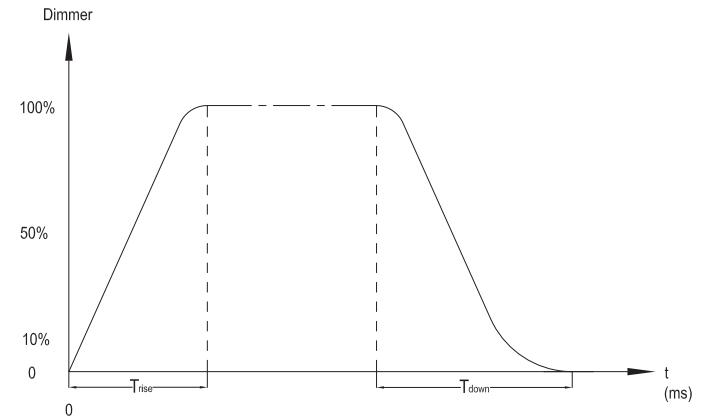
Photometric Chart

R	D40	712	318	161	105	67	lux
G	D40	696	283	147	85	52	
B	D40	638	291	138	79	48	
RGB	D40	1750	816	393	239	157	



Ultra Kling Bar 18

Dimmer Curve Chart



Ramp Effect	0 $\frac{255}{}$ 0S (Fade Time)		0 $\frac{255}{}$ 1S (Fade Time)	
	T _{rise} (ms)	T _{down} (ms)	T _{rise} (ms)	T _{down} (ms)
Standard	0	0	0	0
Stage	780	1100	1540	1660
TV	1180	1520	1860	1940
Architectural	1380	1730	2040	2120
Theatre	1580	1940	2230	2280

Ultra Kling Bar 18

Fuse Replacement

Locate the fuse holder located at the end of unit next to the power cord. Using a phillips head screwdriver, remove the fuse holder. Remove the used fuse and replace with a matching fuse. Insert the fuse holder and fuse into the unit secure the fuse holder.

Ultra Kling Bar 18

Trouble Shooting

Listed below are a few common problems the user may encounter, with solutions.

Unit not responding to DMX:

1. Check that the DMX cables are connected properly and are wired correctly (pin 3 is “hot”; on some other DMX devices pin 2 may be ‘hot’). Also, check that all cables are connected to the right connectors; it does matter which way the inputs and outputs are connected.

Unit does not respond to sound:

1. Quiet or high pitched sounds will not activate the unit.
2. Make sure that Sound Active mode is activated.

Ultra Kling Bar 18

Cleaning

Due to fog residue, smoke, and dust cleaning the internal and external optical lenses must be carried out periodically to optimize light output.

1. Use normal glass cleaner and a soft cloth to wipe down the outside casing.
2. Clean the external optics with glass cleaner and a soft cloth every 20 days.
3. Always be sure to dry all parts completely before plugging the unit back in.

Cleaning frequency depends on the environment in which the fixture operates (i.e. smoke, fog residue, dust, dew).

Ultra Kling Bar 18

Warranty

MANUFACTURER'S LIMITED WARRANTY

- A. ADJ Products, LLC hereby warrants, to the original purchaser, ADJ Products, LLC products to be free of manufacturing defects in material and workmanship for a prescribed period from the date of purchase (see specific warranty period on reverse). This warranty shall be valid only if the product is purchased within the United States of America, including possessions and territories. It is the owner's responsibility to establish the date and place of purchase by acceptable evidence, at the time service is sought.
- B. **For warranty service you must obtain a Return Authorization number (RA#) before sending back the product—please contact ADJ Products, LLC Service Department at 800-322-6337.** Send the product only to the ADJ Products, LLC factory. All shipping charges must be pre-paid. If the requested repairs or service (including parts replacement) are within the terms of this warranty, ADJ Products, LLC will pay return shipping charges only to a designated point within the United States. If the entire instrument is sent, it must be shipped in it's original package. No accessories should be shipped with the product. If any accessories are shipped with the product, ADJ Products, LLC shall have no liability whatsoever for loss of or damage to any such accessories, nor for the safe return thereof.
- C. This warranty is void if the serial number has been altered or removed; if the product is modified in any manner which ADJ Products, LLC concludes, after inspection, affects the reliability of the product; if the product has been repaired or serviced by anyone other than the ADJ Products, LLC factory unless prior written authorization was issued to purchaser by ADJ Products, LLC; if the product is damaged because not properly maintained as set forth in the instruction manual.
- D. This is not a service contract, and this warranty does not include maintenance, cleaning or periodic check up. During the period specified above, ADJ Products, LLC will replace defective parts at its expense with new or refurbished parts, and will absorb all expenses for warranty service and repair labor by reason of defects in material or workmanship. The sole responsibility of ADJ Products, LLC under this warranty shall be limited to the repair of the product, or replacement thereof, including parts, at the sole discretion of ADJ Products, LLC. All products covered by this warranty were manufactured after August 15, 2012, and bear identifying marks to that effect.
- E. ADJ Products, LLC reserves the right to make changes in design and/or improvements upon its products without any obligation to include these changes in any products theretofore manufactured.

No warranty, whether expressed or implied, is given or made with respect to any accessory supplied with products described above. Except to the extent prohibited by applicable law, all implied warranties made by ADJ Products, LLC in connection with this product, including warranties of merchantability or fitness, are limited in duration to the warranty period set forth above. And no warranties, whether expressed or implied, including warranties of merchantability or fitness, shall apply to this product after said period has expired. The consumer's and/or Dealer's sole remedy shall be such repair or replacement as is expressly provided above; and under no circumstances shall ADJ Products, LLC be liable for any loss or damage, direct or consequential, arising out of the use of, or inability to use, this product.

This warranty is the only written warranty applicable to ADJ Products, LLC Products and supersedes all prior warranties and written descriptions of warranty terms and conditions heretofore published.

MANUFACTURER'S LIMITED WARRANTY PERIODS:

- **Lighting Products = 1-year (365 days) Limited Warranty** (Such as: Special Effect Lighting, Intelligent Lighting, UV lighting, Strobes, Fog Machines, Bubble Machines, Mirror Balls, Par Cans, Trussing, Lighting Stands etc. excluding LED and lamps)
- **Laser Products = 90-Day Limited Warranty**
- **L.E.D. Products = 2-year (730 days) Limited Warranty** (excluding motors, PCB boards, and power supplies, which have a 1-year (365 day Limited Warranty) and batteries which have a 180 day limited warranty).

Model: Ultra Kling Bar 18

Voltage:	100V ~ 240V/50~60Hz
LEDs:	18 x 3W TRI LEDs
Beam Angle:	40 Degrees
Working Position:	Any safe working position
Power Draw:	98W
Fuse:	2Amp
Power Cord Daisy Chain:	6 Fixtures Max
Weight:	13lbs./ 6Kgs.
Dimensions:	43.5" (L) x 3.25" (W) x 4.5" (H) 1100 x 80 x 116mm
Colors:	RGB Color Mixing
DMX Channels:	7 DMX Modes: 3 Channel Mode, 4 Channel Mode, 6 Channel Mode, 8 Channel Mode, 9 Channel Mode, 15 Channel Mode, & 54 Channel Mode
Warranty:	2 Year (730 days) Limited Warranty

Auto Sensing Voltage: This fixture contains a automatic voltage switch, which will auto sense the voltage when it is plugged into the power source.

Please Note: Specifications and improvements in the design of this unit and this manual are subject to change without any prior written notice.

ADJ Products, LLC
6122 S. Eastern Ave. Los Angeles, CA 90040 USA
Tel: 323-582-2650 / Fax: 323-725-6100
Web: www.adj.com / E-mail: info@americandj.com

A.D.J. Supply Europe B.V.
Junostraat 2
6468 EW Kerkrade
Netherlands

Follow Us On:



facebook.com/americandj
twitter.com/americandj
youtube.com/adjlighting

service@adjgroup.eu / www.adj.com
Tel: +31 45 546 85 00 / Fax: +31 45 546 85 99