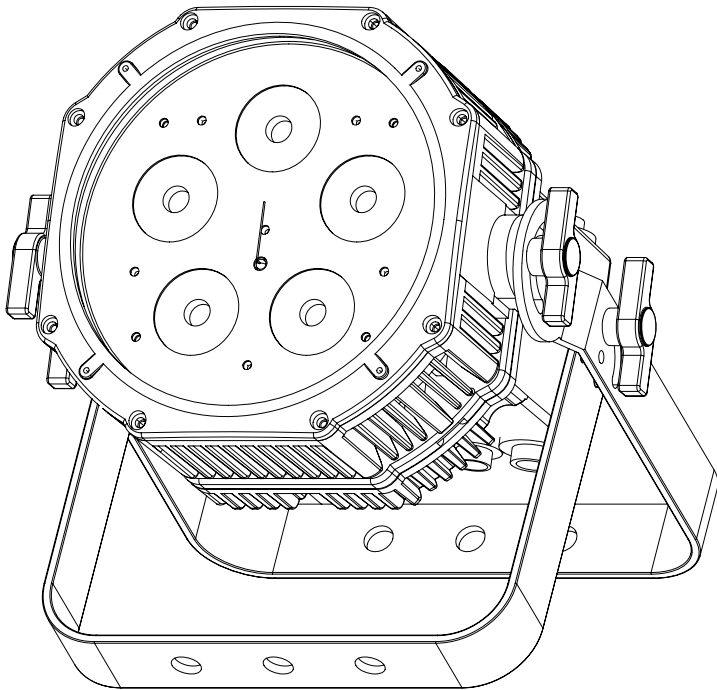




WiFLY EXR QA5 IP



User Instructions

©2015 ADJ Products, LLC all rights reserved. Information, specifications, diagrams, images, and instructions herein are subject to change without notice. ADJ Products, LLC logo and identifying product names and numbers herein are trademarks of ADJ Products, LLC. Copyright protection claimed includes all forms and matters of copyrightable materials and information now allowed by statutory or judicial law or hereinafter granted. Product names used in this document may be trademarks or registered trademarks of their respective companies and are hereby acknowledged. All non-ADJ Products, LLC brands and product names are trademarks or registered trademarks of their respective companies.

ADJ Products, LLC and all affiliated companies hereby disclaim any and all liabilities for property, equipment, building, and electrical damages, injuries to any persons, and direct or indirect economic loss associated with the use or reliance of any information contained within this document, and/or as a result of the improper, unsafe, insufficient and negligent assembly, installation, rigging, and operation of this product.

WiFly EXR QA5 IP

Introduction

Unpacking: Thank you for purchasing the WiFly EXR QA5 IP by ADJ Products, LLC. Every WiFly EXR QA5 IP has been thoroughly tested and has been shipped in perfect operating condition. Carefully check the shipping carton for damage that may have occurred during shipping. If the carton appears to be damaged, carefully inspect your fixture for any damage and be sure all accessories necessary to operate the unit has arrived intact. In the case damage has been found or parts are missing, please contact our toll free customer support number for further instructions. Do not return this unit to your dealer without first contacting customer support.

Introduction: The WiFly EXR QA5 IP is a rechargeable lithium battery powered, DMX intelligent, LED par fixture with ADJ's WiFly TransCeiver with wireless DMX built-in. This unit give you the freedom to set up your fixture where ever you wish without the restrictions of power or DMX cabling. The built-in battery will keep charge for up to 6 hours (full on) from a full, single charge. This fixture can be used in a stand alone mode or connected in a Master/Slave configuration. This wash has six operating modes: Color Fade mode, Color Change mode, Auto mode, RGBA Dimmer mode, Static Color mode, and DMX control mode.

Customer Support: ADJ Products, LLC provides a customer support line, to provide set up help and to answer any question should you encounter problems during your set up or initial operation. You may also visit us on the web at www.adj.com for any comments or suggestions. Service Hours are Monday through Friday 8:00 a.m. to 4:30 p.m. Pacific Standard Time.

Voice: (800) 322-6337

Fax: (323) 582-2941

E-mail: support@AmericanDJ.com

Warning! To prevent or reduce the risk of electrical shock or fire, do not expose this unit to rain or moisture.

Caution! There are no user serviceable parts inside this unit. Do not attempt any repairs yourself, doing so will void your manufactures warranty. In the unlikely event your unit may require service please contact ADJ Products, LLC.

PLEASE recycle the shipping carton when ever possible.

WiFly EXR QA5 IP

Features

- Rechargeable Lithium Battery
- Multi-Colors
- Five Operating Modes
- Electronic Dimming 0-100%
- Built in Microphone
- DMX-512 protocol
- 3-Pin DMX Connection
- 5 DMX Channel Modes: 4 Channel Mode, 5 Channel Mode, 6 Channel Mode, 10 Channel Mode, & 11 Channel Mode
- Built-In ADJ's WiFly TransCeiver Wireless DMX
- ADJ RFC compatible (Not Included)
- Power Cord Daisy Chain (See page 32)

WiFly EXR QA5 IP

Warranty Registration

The WiFly EXR QA5 IP carries a 2 year limited warranty. Please fill out the enclosed warranty card to validate your purchase. All returned service items whether under warranty or not, must be freight pre-paid and accompany a return authorization (R.A.) number. The R.A. number must be clearly written on the outside of the return package. A brief description of the problem as well as the R.A. number must also be written down on a piece of paper included in the shipping carton. If the unit is under warranty, you must provide a copy of your proof of purchase invoice. You may obtain a R.A. number by contacting our customer support team on our customer support number. All packages returned to the service department not displaying a R.A. number on the outside of the package will be returned to the shipper.

WiFly EXR QA5 IP

Installation

The unit should be mounted using a mounting clamp (not provided), affixing it to the mounting bracket that is provided with the unit. Always ensure that the unit is firmly fixed to avoid vibration and slipping while operating. Always ensure that the structure to which you are attaching the unit is secure and is able to support a weight of 10 times the unit's weight. Also, always use a safety cable that can hold 12 times the weight of the unit when installing the fixture. The equipment must be installed by a professional, and it must be installed in a place where it is out of the reach of people's grasp.

- To reduce the risk of electrical shock or fire, do not expose this unit rain or moisture
- Do not spill water or other liquids into or on to your unit.
- Do not attempt to operate this unit if the power cord has been frayed or broken. Do not attempt to remove or break off the ground prong from the electrical cord. This prong is used to reduce the risk of electrical shock and fire in case of an internal short.
- Disconnect from main power before making any type of connection.
- Do not remove the cover under any conditions. There are no user serviceable parts inside.
- Never operate this unit when it's cover is removed.
- Never plug this unit in to a dimmer pack
- Always be sure to mount this unit in an area that will allow proper ventilation. Allow about 6" (15cm) between this device and a wall.
- Do not attempt to operate this unit, if it becomes damaged.
- This unit is intended for indoor use only, use of this product out doors voids all warranties.
- During long periods of non-use, disconnect the unit's main power.
- Always mount this unit in safe and stable matter.
- Power-supply cords should be routed so that they are not likely to be walked on or pinched by items placed upon or against them, paying particular attention to the point they exit from the unit.
- Cleaning -The fixture should be cleaned only as recommended by the manufacturer. See page 32 for cleaning details.
- Heat -The appliance should be situated away from heat sources such as radiators, heat registers, stoves, or other appliances (including amplifiers) that produce heat.
- The fixture should be serviced by qualified service personnel when:
 - A. The power-supply cord or the plug has been damaged.
 - B. Objects have fallen, or liquid has been spilled into the appliance.
 - C. The appliance has been exposed to rain or water.
 - D. The appliance does not appear to operate normally or exhibits a marked change in performance.



IP65 RATED

An IP rated lighting fixture is one, which is commonly installed in outdoor environments and has been designed with an enclosure that effectively protects the ingress (entry) of external foreign objects such as dust and water. The **International Protection (IP)** rating system is commonly expressed as "IP" (Ingress Protection) followed by two numbers (i.e. IP65) where the numbers define the degree of protection. The first digit (Foreign Bodies Protection) indicates the extent of protection against particles entering the fixture and the second digit (Water Protection) indicates the extent of protection against water entering the fixture. An IP65 rated lighting fixture is one, which has been designed and tested to protect against the ingress of dust (6) and high-pressure water jets from any direction (5).



MARINE/COASTAL ENVIRONMENT INSTALLATIONS!

Please note although this fixture is IP rated, the fixture is **NOT** suitable for marine and/or coastal environment installations. Installing this fixture in a marine and/or coastal environment may cause corrosion and/or excessive wear to the interior and/or exterior components of the fixture. Damages and/or performance issues resulting from installation in a marine and/or coastal environment will void the manufactures warranty and will **NOT** be subject to any warranty claims and/or repairs.



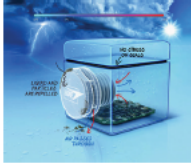
Ensure **ALL** connections and end caps are properly sealed with a non-conductive dielectric grease (available at most electrical suppliers) to prevent water ingress/condensation and/or corrosion.



OPTIONAL CORROSION-RESISTANT COATING

Optional Corrosion-Resistant Coatings may be available for this fixture. Please consult your **Elation Professional** sales representative for details.

PROTECTIVE VENT



This IP rated fixture features a protective vent valve that equalizes the pressure, prevents contamination, and reduces condensation, ultimately extending the lifetime of the fixture.

**I M P O R T A N T M U S T R E A D**

If this fixture is installed in an extreme and/or harsh outdoor/wet environment, it **MUST** be powered ON and used for a minimum of 30 minutes every 10-15 days. Prolonged exposure to an extreme and/or harsh outdoor/wet environment without usage as stated above can lead to component damage and/or shortening the lifetime of the fixture. Any component damage found to be as a direct result of not following this guideline may void the limited warranty.

1. Handling of Batteries**1.1 Do Not Short Circuit the Battery**

Try to never short circuit the battery. It generates a very high current which could cause the battery to overheat which may result in electrolyte gel leakage, harmful fumes, or explosion. The LIR tabs may easily short-circuit by placing them on conductive surface. A short circuit may lead to heat build up and damage of the battery. An appropriate circuitry with PCM is employed to protect accidental short circuit of the battery pack.

1.2 Mechanical shock

Dropping the unit, impact hit, bending, etc. may cause failure or shortend life of the LIR battery.

3. Other**3.1 Battery connection**

- 1). Direct soldering of wire leads or devices to the battery is strictly prohibited.
- 2). Lead tabs with pre-soldered wiring shall be spot welded to the batteries. Direct soldering may cause damage of components, such as separator and insulator, by heat build up.

3.2 Prevention of short circuit within a battery pack

There is enough insulation layers between wiring and the batteries to provide extra safety protection. The battery pack is constructed in a way that no short circuit will occur which may cause smoke or fire.

3.3 Do Not Disassemble the Batteries

- 1). Never disassemble the batteries. Doing this may cause a internal short circuit in the battery, which may lead to harmful fumes, fire, explosion, or other problems.
- 2). Electrolyte Gel is harmful
Electrolyte Gel should not leak from the LIR battery. Should the electrolyte gel come into contact with the skin or eyes, flush the

area of contact immediately with fresh water and seek medical attention immediately.

3.4 Do Not Expose the Battery to Heat or Fire

Never incinerate or dispose of the batteries in fire. This may cause an explosion, which would be very dangerous.

3.5 Do Not Expose the Battery to water or liquids

Never soak/drop the batteries in liquids such as water, seawater, drinks such as soft drinks, juices, coffee or other.

3.6 Battery Replacement

For battery replacement please contact ADJ customer support (800) 322-6337.

3.7 Do Not use a damaged Battery

The battery could be damaged during shipping, caused by shock. Should the battery be found damaged, including damages to the plastic casing of the battery, deformation of the battery package, smelling of an electrolyte, or leakage of the electrolyte gel, or other, DO NOT use the battery. A battery with a odor of electrolyte or a gel leakage should be placed away from fire to avoid fire or explosion.

4. Battery Storage

When storing the battery, it should be stored at room temperature, with a charge of at least 50%. We recommend that during long periods of storage that the battery be charged every 6 months. Doing this will prolong the life of the battery and will also make sure that the battery charge does not fall below the 30% mark.

5. Other Chemical Reaction

Because batteries utilize a chemical reaction, battery performance will deteriorate over time even if stored for a long period of time without being used. In addition, if the various usage conditions such as charge, discharge, ambient temperature, etc. are not maintained within the specified ranges, the

life expectancy of the battery maybe shortened or the device in which the battery is used may be damaged by electrolyte gel leakage. If the batteries cannot maintain a charge for long periods of time, even when they are charged correctly, this may indicate it is time to change the battery.

6. Battery Disposal

Please dispose of battery according to local regulations.

Power Supply: The ADJ WiFly EXR QA5 IP contains an automatic voltage switch, which will auto sense the voltage when it is plugged into the power source. With this switch there is no need to worry about the correct power voltage, this unit can be plugged in anywhere.

DMX-512: DMX is short for Digital Multiplex. This is a universal protocol used as a form of communication between intelligent fixtures and controllers. A DMX controller sends DMX data instructions from the controller to the fixture. DMX data is sent as serial data that travels from fixture to fixture via the DATA “IN” and DATA “OUT” XLR terminals located on all DMX fixtures (most controllers only have a DATA “OUT” terminal).

DMX Linking: DMX is a language allowing all makes and models of different manufactures to be linked together and operate from a single controller, as long as all fixtures and the controller are DMX compliant. To ensure proper DMX data transmission, when using several DMX fixtures try to use the shortest cable path possible. The order in which fixtures are connected in a DMX line does not influence the DMX addressing. For example; a fixture assigned a DMX address of 1 may be placed anywhere in a DMX line, at the beginning, at the end, or anywhere in the middle. When a fixture is assigned a DMX address of 1, the DMX controller knows to send DATA assigned to address 1 to that unit, no matter where it is located in the DMX chain.

DMX Cable Requirements: The WiFly EXR QA5 IP can be controlled via DMX-512 protocol. The WiFly EXR QA5 IP has 5 DMX channel modes, please see pages 14-15 for the different modes. The DMX address is set on the back panel of the WiFly EXR QA5 IP.

Cable Requirements: This fixture is designed with special cables for both DMX and power. These cables are specifically designed to maintain the integrity of the IP rating. When using this fixture outdoors be sure to ONLY use the ADJ cables that have been manufactured to meet the IP rating.

“First” DMX Cables - Special DMX “First” cable (part #WIF901-DMX Cable) may be purchased from ADJ to provide a means of data communication with standard DMX fixtures for indoor use. These cables will come with the IP rated twist lock connector on one end and either a 3-pin XLR male or female connector on the other depending on model.

Be sure to only use these cables for intergrading this fixture in a standard DMX chain.

“First” Power Cable – A special power “First” cable is included with every fixture. This cable is used to provide power to your fixture. This cable comes with the IP rated twist lock connector on one end and a standard Edison 3-prong, grounded prong on the other end. Be sure to only use this cable for power distribution and never attempt to connect this cable to the DMX lines.

You can chain multiple fixtures together through serial linking. Using the IP rated signal cables provided through ADJ (part# WIF901-Power Cable). Always be sure to daisy-chain your in and out data connections, never split or “Y” your DMX connections unless you are using an approved DMX splitter such as the ADJ WiFly D6 Branch or the original D6 Branch (Both not IP rated).

Special Note: Line Termination. When longer runs of cable are used, you may need to use a terminator on the last unit to avoid erratic behavior. A terminator is a 110-120 ohm 1/4 watt resistor which is connected between pins 2 and 3 of a male XLR connector (DATA + and DATA -). This unit is inserted in the female XLR connector of the last unit in your daisy chain to terminate the line. Using a cable terminator (ADJ part number Z-DMX/T) will decrease the possibilities of erratic behavior.



Termination reduces signal errors and avoids signal transmission problems and interference. It is always advisable to connect a DMX terminal, (Resistance 120 Ohm 1/4 W) between PIN 2 (DMX-) and PIN 3 (DMX +) of the last fixture.

5-Pin XLR DMX Connectors. Some manufactures use 5-pin DMX-512 data cables for DATA transmission in place of 3-pin. 5-pin DMX fixtures may be implemented in a 3-pin DMX line. When inserting standard 5-pin data cables in to a 3-pin line a cable adaptor must be used, these adaptors are readily available at most electric stores. The chart below details a proper cable conversion.

3-Pin XLR to 5-Pin XLR Conversion		
Conductor	3-Pin XLR Female (Out)	5-Pin XLR Male (In)
Ground/Shield	Pin 1	Pin 1
Data Compliment (- signal)	Pin 2	Pin 2
Data True (+ signal)	Pin 3	Pin 3
Not Used		Do Not Use
Not Used		Do Not Use

Operating Power:

There are two ways to supply power to this unit; battery power or AC power.

• **AC Power** - To run the unit using AC power, plug the unit into a power source and activate the battery load on page 15. When using AC power make sure the battery button is in the OFF position.

• **Battery Power** - To run the unit using Battery power, press the battery button located on the bottom of the fixture across from power input connection. Follow the instructions on page 15 to activate the battery load.

LCD Display Lock:

The display will lock after 30 seconds. Press and hold the MODE button for at least 10 seconds to unlock the display and access the menu.

Energy Saving Mode

This will decrease the LED's brightness gradually when the battery life is less than 80%, this will extend the battery life.

1. To activate energy saving mode, press the MODE button until "BATT LEV" is displayed.
2. Press the SET UP button until "BATT LEV SAVE:XX" is displayed. "XX" represents either "ON" or "OFF".
3. Press the UP or DOWN button so that "ON" is displayed. If "ON" is displayed already then the fixture is already in energy saving mode.

LED Display On/Off:

To set the LED display light to turn off after 20 seconds, press the MODE button until "OPTION" is displayed. Press the SET UP button so that "BLGT:XXX" is displayed. "XXX" represents either ON or OFF. Press the UP or DOWN buttons so that OFF is displayed. Now the display light will turn off after 30s. Press any button to turn the display on again.

Operating Modes:

The WiFly EXR QA5 IP has six operating modes:

- Static Color Mode - There are 64 colors to choose from.
- RGBA Mode - Choose one of the four colors to remain static or

- adjust the intensity of each color to make your desired color.
- Auto Mode - Will run a mixture of color fade and change.
 - Color Change Mode - There are 16 color change modes to choose from.
 - Color Fade Mode - There are 16 color fade modes to choose from.
 - DMX control mode - This function will allow you to control each individual fixtures traits with a standard DMX 512 controller.

RGBA Dimmer Mode:

1. Plug the fixture in and press the MODE button until "MANUAL" is displayed. Then press the SET UP button to scroll through RGBA colors.
2. When "RED:XXX" is displayed you are in Red dimming mode. Press the UP and DOWN buttons to adjust intensity.
3. When "GREN:XXX" is displayed you are in Green dimming mode. Press the UP and DOWN buttons to adjust intensity.
4. When "BLUE:XXX" is displayed you are in Blue dimming mode. Press the UP and DOWN buttons to adjust intensity.
5. When "AMBR:XXX" is displayed you are in Blue dimming mode. Press the UP and DOWN buttons to adjust intensity.
6. After you have adjusted the RGBA colors to make your desired color you can then activate strobing by pressing the SET UP button to enter the strobe mode.
7. "STROB.XX" will be displayed, this is strobe mode. The Flash can be adjusted between 00 (flash off) to 15 (fastest flash).

Color Change Mode:

1. Plug the fixture in and press the MODE button until "JUMP RUN SNAP:XX" is displayed. "XX" represents a number between 01-16.
2. Use the UP and DOWN buttons to find your desired color change mode.
3. Press the SET UP button and "SPEED:XX" will be displayed. Use the UP and DOWN buttons to adjust the speed of the color change.

Color Fade Mode:

1. Plug the fixture in and press the MODE button until "FADE RUN FADE:XX" is displayed. "XX" represents a number between 01-16.
2. Use the UP and DOWN buttons to find your desired color fade

mode.

3. Press the SET UP button and “SPEED:XX” will be displayed. Use the UP and DOWN buttons to adjust the speed of the color fade.

Auto Run Mode:

In this mode the WiFly EXR QA5 IP will run a auto program.

1. Plug the fixture in and press the MODE button until “AUTO RUN FAD+SNAP” is displayed.
2. Press the SET UP button and “SPEED:XX” will be displayed. Use the UP and DOWN buttons to adjust the speed of the Auto Run.

Static Color Mode:

1. Plug the fixture in and press the MODE button until “CLR MACS COLOR:XX” is displayed. “XX” represents a number between 00-64.
2. Use the UP and DOWN buttons to scroll through the 64 colors and find you desired color. After you have found your desired color you can activate strobing by pressing the SET UP button to enter the strobe mode.
3. “STROB:XX” will be displayed, this is strobe mode. The strobing can be adjusted between “00” (flash off) to “15” (fastest flash).

DMX Mode:

Operating through a DMX controller gives the user the freedom to create their own programs tailored to their own individual needs. This function also allows you to use your fixtures as spot lights. The WiFly EXR QA5 IP has 5 DMX modes: 4 Channel mode, 5 Channel mode, 6 Channel mode, 10 Channel mode, and a 11 Channel mode. See pages 19-26 for each mode’s DMX traits.

1. This function will allow you to control each individual fixture’s traits with a standard DMX 512 controller.
2. To run your fixture in DMX mode press the MODE button until “DMX MODE ADDR:XXX” is displayed. “XXX” represents the displayed DMX address. Use the UP or DOWN buttons to scroll through and find your desired DMX address.
3. After you have set your DMX address press the SET UP button so that “CHAN:XX” is displayed. “XX” represents the current DMX Channel mode that is displayed. Use the UP or DOWN buttons to

scroll through the DMX Channel modes.

4. After you have chosen your desired DMX Channel mode plug in the fixture via the XLR connections to any standard DMX controller.

Battery Life:

This is used to check/display the battery life.

1. Plug the fixture in and press the MODE button until “BATT LEV XXX” is displayed. “XXX” represents the remaining battery life. If “BATT LEV ----” is displayed, it means either the battery is dead or your running the unit on AC power.

Battery Load:

This is used to activate the PC board On.

1. Press the MODE button until “BATT LEV” is displayed.
2. Press the SET UP button until “BATT LEV LOAD:XX” is displayed. “XX” represents either “ON” or “OFF”.
3. Press the UP or DOWN button so that “ON” is displayed. If “ON” is displayed already then the PCB is active.

Default Running Mode:

This is a default running mode. When this mode is activated all modes will return to their default settings.

1. Plug the fixture in and press the MODE button until “OPTION BLGT:XX” is displayed. “XX” represents either “on” or “oFF”.
2. Press the SET UP button until “SYSRESET” is displayed.
3. Press the UP and DOWN buttons simultaneously to reset to default settings.

ADJ RFC:

This function is used to activate and deactivate the ADJ RFC (Remote Control). When this function is activated you can control the fixture using the ADJ RFC. Please see the next page for ADJ RFC controls and functions.

1. Plug the fixture in and press the MODE button until “OPTION” is displayed.
2. Press the SET UP button until “RFXX” is displayed. “XX” represents either “ON” or “OFF”.
3. Press the UP or DOWN buttons to either activate the remote func-

tion (On) or deactivate it (Off).

WiFLY Address Setting/WiFly On/Off:

This function is used to set the WiFly address and activate/deactivate the WiFly function. The address must match the address that is set to your WiFly TransCeiver or WiFly controller.

1. Plug the fixture in and press the MODE button until “WIFI SET ADDR: XX” is displayed. “XX” represents a number between 00-14.
2. Use the UP or DOWN buttons to find and set your desired WiFly address. The address must match the address that is set to your WiFly TransCeiver or WiFly controller.
3. After you have found and set your WiFly address, press the SET UP button to activate WiFly. “WIFI SET STAT: XXX” will now be displayed. Use the UP or DOWN button to set the display to “On” to activate WiFly. To deactivate WiFly set the display to “Off”.

DMX State:

This mode can be used as a precaution mode, that in case the DMX signal is lost, the operating mode chosen in the setup is the running mode the fixture will go into when the DMX signal is lost. You can also set this as the operating mode you would like the unit to return to when power is applied.

1. Plug the fixture in and press the MODE button until “DMX MODE ADDR:XXX” is displayed.
 2. Press the SET UP button until “DMX MODE NO: XXXX” is displayed. “XXXX” represents the current DMX state that is displayed.
 3. Use the UP or DOWN buttons to select the operating mode you would like the unit to start up in when power is applied or the DMX signal is lost.
- AUTO - If the DMX signal is lost or power is applied, the unit will automatically into Auto Run.
 - BLACK - If the DMX signal is lost or power is applied, the unit will automatically go into stand by mode.
 - HOLD - If the DMX signal is lost the fixture will stay in the last DMX set up. If power is applied and this mode is set, the unit will automati-

cally go into the last DMX set up.

Dimmer Curve Setting:

This is used to set the dimming curve used with DMX mode. See page 29 for the different dimming curves.

1. Plug the fixture in and press the MODE button until “DMX MODE ADDR:XXX” is displayed.
2. Press the SET UP button until “DELAY:X” is displayed. “X” represents the displayed dimmer curve (0-4).
 - 0 - Standard
 - 1 - Stage
 - 2 - TV
 - 3 - Architectural
 - 4 - Theatre
3. Press the UP or DOWN buttons to scroll through and select your desired dimming curve

Master-Slave Configuration:

This function will allow you to link units together to run in a Master-Slave setup. In a Master-Slave set up one unit will act as the controlling unit and the others will react to the controlling units built-in programs. Any unit can act as a Master or as a Slave however, only one unit can be programmed to act as the “Master.”

Master-Slave Connections and Settings:

1. Daisy chain your units via the XLR connector on the rear of the unit. Use standard XLR data cables to link your units together. Remember that the Male XLR connector is the input and the Female XLR connector is the output. The first unit in the chain (master) will use the female XLR connector only. The last unit in the chain will use the male XLR connector only.
2. Set the “Master” unit to your desired mode of operation.
3. On the “Slave” units press the MODE button until “Slave Mode” is displayed. The unit is now set as the “Slave” unit. Each slave unit must be set to the same setting.
4. Connect the first “Slave” unit to the “Master”, and the “Slave” unit should now start to follow the “Master”.

With this feature you are able to control the unit with DMX without the need of XLR cables. Your DMX controller must be connected to a ADJ WiFly Transceiver to use this function. You are able to communicate up to 2500 feet/760 meters (open line of sight).

1. Follow the instructions on pages 15-16 to set the WiFly address and to activate WiFly. The address must match the address set on the WiFly WiFly Transceiver.
2. After you have set the WiFly address, follow the DMX instructions on page 14 to select your desired DMX Channel mode and set your DMX address.
3. Apply power to the ADJ WiFly Transceiver. The fixture must be set up first before you apply power to WiFly Transceiver.
4. If everything is set up properly and the fixture is receiving a Wireless signal, you should now be able to control it with a DMX controller.

This feature will let you link units to run in a master-slave mode without the use of XLR cables.

1. Follow the instructions on pages 15-16 to set the WiFly address and to activate WiFly. The addresses on each fixture must be the same.
2. After you have set the WiFly address, select your “Master” unit and set your desired operating mode.
3. For the “Slave” unit(s), put the unit in Slave mode. See page 12 Master-Slave configuration when setting the unit as a Slave.
4. If everything is set up correctly, the “Slave” units will start following the “Master” unit.

WiFly EXR QA5 IP**ADJ RFC Operation**

The **ADJ RFC** remote (sold separately) has many different functions and allows you to control your WiFly EXR QA5 IP from long distance. The **ADJ RFC** remote can control your system up to 150 ft. To use the RFC you must first activate the fixtures receiver, to activate the receiver please see the instructions on page 15.

BLACKOUT - Pressing this button will blackout the fixture. Press this button for more then 3 seconds to return to default settings.

AUTO RUN - Pressing this button will cycle through auto run, color change mode, and color fade mode. In the color change and color fade modes you can use the “+” and “-” buttons to find scroll through the 16 different programs. You can control the speed of each of the modes by pressing the SPEED button and using the “+” and “-” buttons.

PROGRAM SELECTION - Pressing this button will switch between static color mode and slave mode. Use the “+” or “-” to scroll through the 64 static colors. Once you have found your color, you can press the FLASH button to activate strobing and use the “+” or “-” to adjust the flash rate.

FLASH - This button will activate the flash (strobe) effect. You can control the flash speed using the “+” and “-” buttons.

SPEED - Press this button and use the “+” & “-” buttons to adjust the speed in Program mode.

SOUND ACTIVE - This button is not used with fixture.

R G B W/A - Press either one of these buttons and use the “+” or “-” to adjust the brightness. Press the FLASH button to activate strobing and use the “+” or “-” buttons to adjust the Flash rate.

“+” and “-” - Use these buttons to adjust the flash rate, select your desired color change and color fade programs, adjust the color change speed, color fade speed, auto run speed, RGBA brightness, and to scroll through the Static colors.

WiFly EXR QA5 IP 4 Channel - DMX Values & Functions

Channel	Value	Function
1	0 - 255	RED 0% - 100%
2	0 - 255	GREEN 0% - 100%
3	0 - 255	BLUE 0% - 100%
4	0 - 255	AMBER 0% - 100%

WiFly EXR QA5 IP 5 Channel - DMX Values & Functions

Channel	Value	Function
1	0 - 255	RED 0% - 100%
2	0 - 255	GREEN 0% - 100%
3	0 - 255	BLUE 0% - 100%
4	0 - 255	AMBER 0% - 100%
5	0 - 255	MASTER DIMMER 0% - 100%

WiFly EXR QA5 IP 6 Channel - DMX Values & Functions		
Channel	Value	Function
1	0 - 255	RED 0% - 100%
2	0 - 255	GREEN 0% - 100%
3	0 - 255	BLUE 0% - 100%
4	0 - 255	AMBER 0% - 100%
5	0 - 255	MASTER DIMMER 0% - 100%
6	0 - 31 32 - 63 64 - 95 96 - 127 128 - 159 160 - 191 192 - 223 224 - 255	STROBING LED OFF LED ON STROBING SLOW - FAST LED ON PULSE STROBING SLOW - FAST LED ON RANDOM STROBING SLOW - FAST LED ON

WiFly EXR QA5 IP 10 Channel - DMX Values & Functions		
Channel	Value	Function
1	0 - 255	RED 0% - 100%
2	0 - 255	GREEN 0% - 100%
3	0 - 255	BLUE 0% - 100%
4	0 - 255	AMBER 0% - 100%
5	0 - 255	MASTER DIMMER 0% - 100%
6	0 - 31 32 - 63 64 - 95 96 - 127 128 - 159 160 - 191 192 - 223 224 - 255	STROBING LED OFF LED ON STROBING SLOW - FAST LED ON PULSE STROBING SLOW - FAST LED ON RANDOM STROBING SLOW - FAST LED ON
7	0 - 51 52 - 102 103 - 153 154 - 204 205 - 255	PROGRAM SELECTION MODE DIMMING MODE COLOR MACRO MODE COLOR CHANGE MODE COLOR FADE MODE AUTO RUN MODE
8	0 - 255 0 - 15 16 - 31 32 - 47	COLOR MACROS/PROGRAMS/ AUTO RUN <hr/> COLOR MACRO MODE (See the Color Macro Chart on page 29) COLOR CHANGE MODE COLOR CHANGE 1 COLOR CHANGE 2 COLOR CHANGE 3

WiFly EXR QA5 IP 10 Channel - DMX Values & Functions		
Channel	Value	Function
8		COLOR CHANGE MODE CONT.
	48 - 63	COLOR CHANGE 4
	64 - 79	COLOR CHANGE 5
	80 - 95	COLOR CHANGE 6
	96 - 111	COLOR CHANGE 7
	112 - 127	COLOR CHANGE 8
	128 - 143	COLOR CHANGE 9
	144 - 159	COLOR CHANGE 10
	160 - 175	COLOR CHANGE 11
	176 - 191	COLOR CHANGE 12
	192 - 207	COLOR CHANGE 13
	208 - 223	COLOR CHANGE 14
	224 - 239	COLOR CHANGE 15
	240 - 255	COLOR CHANGE 16
		COLOR FADE MODE
	0 - 15	COLOR FADE 1
	16 - 31	COLOR FADE 2
	32 - 47	COLOR FADE 3
	48 - 63	COLOR FADE 4
	64 - 79	COLOR FADE 5
	80 - 95	COLOR FADE 6
	96 - 111	COLOR FADE 7
	112 - 127	COLOR FADE 8
	128 - 143	COLOR FADE 9
	144 - 159	COLOR FADE 10
	160 - 175	COLOR FADE 11
	176 - 191	COLOR FADE 12
192 - 207	COLOR FADE 13	
208 - 223	COLOR FADE 14	
224 - 239	COLOR FADE 15	
240 - 255	COLOR FADE 16	
0 - 255	AUTO RUN MODE	

WiFly EXR QA5 IP 10 Channel - DMX Values & Functions		
Channel	Value	Function
9	0 - 255	PROGRAM SPEED SLOW - FAST
10	0 - 20	DIMMER CURVES STANDARD
	21 - 40	STAGE
	41 - 60	TV
	61 - 80	ARCHITECTURAL
	81 - 100	THEATRE
101 - 255	DEFAULT TO UNIT SETTING	

When Channel 7 is between the values of 0-51, Channels 1-4 are used, and Channel 6 will control strobing.

When Channel 7 is between the values of 52-102, Channel 8 is in Color Macros Mode, and Channel 6 will control strobing.

When Channel 7 is between the values of 103-153, Channel 8 is in Color Change Mode, and Channel 9 will control the color change speed.

When Channel 7 is between the values of 154-204, Channel 8 is in Color Fade Mode, and Channel 9 will control the color fade speed.

When Channel 7 is between the values of 205-255, Channel 8 is in Auto Run Mode, and Channel 9 will control the auto run speed.

WiFly EXR QA5 IP 11 Channel - DMX Values & Functions		
Channel	Value	Function
1	0 - 255	RED 0% - 100%
2	0 - 255	GREEN 0% - 100%
3	0 - 255	BLUE 0% - 100%
4	0 - 255	AMBER 0% - 100%
5	0 - 255	MASTER DIMMER 0% - 100%
6	0 - 31 32 - 63 64 - 95 96 - 127 128 - 159 160 - 191 192 - 223 224 - 255	STROBING LED OFF LED ON STROBING SLOW - FAST LED ON PULSE STROBING SLOW - FAST LED ON RANDOM STROBING SLOW - FAST LED ON
7	0 - 51 52 - 102 103 - 153 154 - 204 205 - 255	PROGRAM SELECTION MODE DIMMING MODE COLOR MACRO MODE COLOR CHANGE MODE COLOR FADE MODE AUTO RUN MODE
8	0 - 255 0 - 15 16 - 31 32 - 47	COLOR MACROS/PROGRAMS/ AUTO RUN <hr/> COLOR MACRO MODE (See the Color Macro Chart on page 29) COLOR CHANGE MODE COLOR CHANGE 1 COLOR CHANGE 2 COLOR CHANGE 3

WiFly EXR QA5 IP 11 Channel - DMX Values & Functions		
Channel	Value	Function
8	48 - 63 64 - 79 80 - 95 96 - 111 112 - 127 128 - 143 144 - 159 160 - 175 176 - 191 192 - 207 208 - 223 224 - 239 240 - 255	COLOR CHANGE MODE CONT. COLOR CHANGE 4 COLOR CHANGE 5 COLOR CHANGE 6 COLOR CHANGE 7 COLOR CHANGE 8 COLOR CHANGE 9 COLOR CHANGE 10 COLOR CHANGE 11 COLOR CHANGE 12 COLOR CHANGE 13 COLOR CHANGE 14 COLOR CHANGE 15 COLOR CHANGE 16
	0 - 15 16 - 31 32 - 47 48 - 63 64 - 79 80 - 95 96 - 111 112 - 127 128 - 143 144 - 159 160 - 175 176 - 191 192 - 207 208 - 223 224 - 239 240 - 255	COLOR FADE MODE COLOR FADE 1 COLOR FADE 2 COLOR FADE 3 COLOR FADE 4 COLOR FADE 5 COLOR FADE 6 COLOR FADE 7 COLOR FADE 8 COLOR FADE 9 COLOR FADE 10 COLOR FADE 11 COLOR FADE 12 COLOR FADE 13 COLOR FADE 14 COLOR FADE 15 COLOR FADE 16
	0 - 255	AUTO RUN

WiFly EXR QA5 IP 11 Channel - DMX Values & Functions

Channel	Value	Function
9	0 - 255	PROGRAM & AUTO RUN SPEED SLOW-FAST
10	0 - 28 29 - 57 58 - 86 87 - 114 115 - 142 143 - 170 171 - 198 199 - 226 227 - 255	COLOR TEMPERATURES 3200K 3500K 4200K 4500K 5200K 5500K 6200K 6500K 7200K
11	0 - 20 21 - 40 41 - 60 61 - 80 81 - 100 101 - 255	DIMMER CURVES STANDARD STAGE TV ARCHITECTURAL THEATRE DEFAULT TO UNIT SETTING

When Channel 7 is between the values of 0-51, Channels 1-4 are used, and Channel 6 will control strobing.

When Channel 7 is between the values of 52-102, Channel 8 is in Color Macros Mode, and Channel 6 will control strobing.

When Channel 7 is between the values of 103-153, Channel 8 is in Color Change Mode, and Channel 9 will control the color change speed.

When Channel 7 is between the values of 154-204, Channel 8 is in Color Fade Mode, and Channel 9 will control the color fade speed.

When Channel 7 is between the values of 205-255, Channel 8 is in Auto Run Mode, and Channel 9 will control the auto run speed.

WiFly EXR QA5 IP

Color Macro Chart

Color No.	DMX VAULE	RGBA COLOR INTENSITY			Color No.	DMX VAULE	RGBA COLOR INTENSITY			
		RED	GREEN	BLUE			AMBER	RED	GREEN	BLUE
OFF	0	0	0	0	Color33	129-132	255	206	143	0
Color1	1-4	80	255	234	Color34	133-136	254	177	153	0
Color2	5-8	80	255	164	Color35	137-140	254	192	138	0
Color3	9-12	77	255	112	Color36	141-144	254	165	98	0
Color4	13-16	117	255	83	Color37	145-148	254	121	0	0
Color5	17-20	160	255	77	Color38	149-152	176	17	0	0
Color6	21-24	223	255	83	Color39	153-156	96	0	11	0
Color7	25-28	255	243	77	Color40	157-160	234	139	171	0
Color8	29-32	255	200	74	Color41	161-164	224	5	97	0
Color9	33-36	255	166	77	Color42	165-168	175	77	173	0
Color10	37-40	255	125	74	Color43	169-172	119	130	199	0
Color11	41-44	255	97	77	Color44	173-176	147	164	212	0
Color12	45-48	255	71	77	Color45	177-180	88	2	163	0
Color13	49-52	255	83	134	Color46	181-184	0	38	86	0
Color14	53-56	255	93	182	Color47	185-188	0	142	208	0
Color15	57-60	255	96	236	Color48	189-192	52	148	209	0
Color16	61-64	238	93	255	Color49	193-196	1	134	201	0
Color17	65-68	196	87	255	Color50	197-200	0	145	212	0
Color18	69-72	150	90	255	Color51	201-204	0	121	192	0
Color19	73-76	100	77	255	Color52	205-208	0	129	184	0
Color20	77-80	77	100	255	Color53	209-212	0	83	115	0
Color21	81-84	67	148	255	Color54	213-216	0	97	166	0
Color22	85-88	77	195	255	Color55	217-220	1	100	167	0
Color23	89-92	77	234	255	Color56	221-224	0	40	86	0
Color24	93-96	158	255	144	Color57	225-228	209	219	182	0
Color25	97-100	255	251	153	Color58	229-232	42	165	85	0
Color26	101-104	255	175	147	Color59	233-236	0	46	35	0
Color27	105-108	255	138	186	Color60	237-240	8	107	222	0
Color28	109-112	255	147	251	Color61	241-244	107	156	231	0
Color29	113-116	151	138	255	Color62	245-248	165	198	247	0
Color30	117-120	151	138	255	Color63	249-252	0	0	189	0
Color31	121-124	138	169	255	Color64	253-255	255	255	255	0
Color32	125-128	255	255	255						

Battery Status:

This function is used to check the life status of the battery. Plug the fixture in and press the MODE button until “BATT LEV XXX%” is displayed. “XXX” represents the current battery life. The number that is displayed is the remaining battery life. If “BATT LEV ----” is displayed, it means that you are running the unit on AC power. **Please do not let the battery fully die, this severely shortens the life of the battery.**

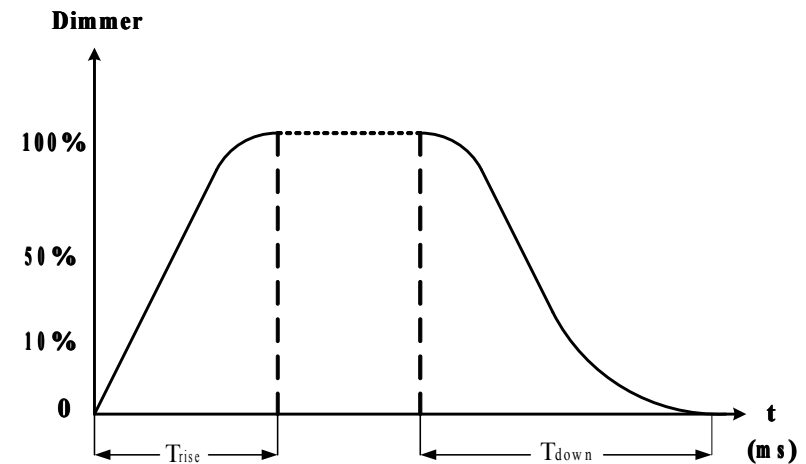
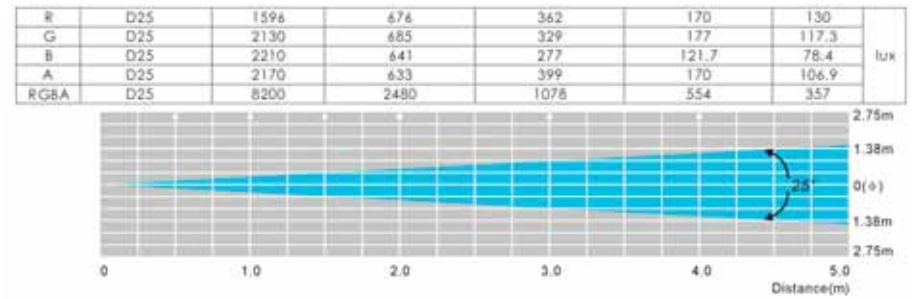
NOTE: When the battery life is below 30% the battery percentage will flash. At 15% power the fixture will shut off.

NOTE: When using battery power, after 20 seconds of inactivity, the display will revert back to the battery life display.

Battery Recharge: To recharge the battery, plug the supplied AC cord into the AC input on the side of the unit and plug the other end into a matching power supply. It takes about 5 hours to reach full charge (with the power off). **The display will STOP flashing when the unit reaches 100% charge.**

Note: When unplugging the unit from charging and then applying power via battery, there will be a minimal charge drop.

For a faster recharge, turn the Load setting to “Off” and turn the battery “On”. See Battery Load on page 15.



DMX delay / Delay mode	Trise(ms)	Tdown(ms)
dr-0	0	0
dr-1	800	1300
dr-2	1010	1560
dr-3	1200	1950
dr-4	1280	2600

WiFly EXR QA5 IP

Power Cord Daisy Chain

With this feature you can connect the fixtures to one another using a IP rated connector cable (sold separately). The quantity that can be connected is 11 fixtures maximum. After 11 fixtures you will need to use a new power outlet. They must be the same fixtures. DO NOT mix fixtures.

NOTE: Fixtures cannot be power cord daisy chained and run by battery power.

WiFly EXR QA5 IP

Trouble Shooting

Listed below are a few common problems the user may encounter, with solutions.

Unit not responding to DMX:

1. Check that the DMX cables are connected properly and are wired correctly (pin 3 is “hot”; on some other DMX devices pin 2 may be ‘hot’). Also, check that all cables are connected to the right connectors; it does matter which way the inputs and outputs are connected.

WiFly EXR QA5 IP

Cleaning

Due to fog residue, smoke, and dust cleaning the internal and external optical lenses must be carried out periodically to optimize light output.

1. Use normal glass cleaner and a soft cloth to wipe down the outside casing.
2. Clean the external optics with glass cleaner and a soft cloth every 20 days.
3. Always be sure to dry all parts completely before plugging the unit back in.

Cleaning frequency depends on the environment in which the fixture operates (i.e. smoke, fog residue, dust, dew).

WiFly EXR QA5 IP

Warranty

MANUFACTURER'S LIMITED WARRANTY

- A. ADJ Products, LLC hereby warrants, to the original purchaser, ADJ Products, LLC products to be free of manufacturing defects in material and workmanship for a prescribed period from the date of purchase (see specific warranty period on reverse). This warranty shall be valid only if the product is purchased within the United States of America, including possessions and territories. It is the owner's responsibility to establish the date and place of purchase by acceptable evidence, at the time service is sought.
- B. For warranty service you must obtain a Return Authorization number (RA#) before sending back the product—please contact ADJ Products, LLC Service Department at 800-322-6337. Send the product only to the ADJ Products, LLC factory. All shipping charges must be pre-paid. If the requested repairs or service (including parts replacement) are within the terms of this warranty, ADJ Products, LLC will pay return shipping charges only to a designated point within the United States. If the entire instrument is sent, it must be shipped in its original package. No accessories should be shipped with the product. If any accessories are shipped with the product, ADJ Products, LLC shall have no liability whatsoever for loss of or damage to any such accessories, nor for the safe return thereof.
- C. This warranty is void if the serial number has been altered or removed; if the product is modified in any manner which ADJ Products, LLC concludes, after inspection, affects the reliability of the product; if the product has been repaired or serviced by anyone other than the ADJ Products, LLC factory unless prior written authorization was issued to purchaser by ADJ Products, LLC; if the product is damaged because not properly maintained as set forth in the instruction manual.
- D. This is not a service contract, and this warranty does not include maintenance, cleaning or periodic check up. During the period specified above, ADJ Products, LLC will replace defective parts at its expense with new or refurbished parts, and will absorb all expenses for warranty service and repair labor by reason of defects in material or workmanship. The sole responsibility of ADJ Products, LLC under this warranty shall be limited to the repair of the product, or replacement thereof, including parts, at the sole discretion of ADJ Products, LLC. All products covered by this warranty were manufactured after August 15, 2012, and bear indentifying marks to that effect.
- E. ADJ Products, LLC reserves the right to make changes in design and/or improvements upon its products without any obligation to include these changes in any products theretofore manufactured.

No warranty, whether expressed or implied, is given or made with respect to any accessory supplied with products described above. Except to the extent prohibited by applicable law, all implied warranties made by ADJ Products, LLC in connection with this product, including warranties of merchantability or fitness, are limited in duration to the warranty period set forth above. And no warranties, whether expressed or implied, including warranties of merchantability or fitness, shall apply to this product after said period has expired. The consumer's and/or Dealer's sole remedy shall be such repair or replacement as is expressly provided above; and under no circumstances shall ADJ Products, LLC be liable for any loss or damage, direct or consequential, arising out of the use of, or inability to use, this product.

This warranty is the only written warranty applicable to ADJ Products, LLC Products and supersedes all prior warranties and written descriptions of warranty terms and conditions heretofore published.

MANUFACTURER'S LIMITED WARRANTY PERIODS:

- **Lighting Products = 1-year (365 days) Limited Warranty** (Such as: Special Effect Lighting, Intelligent Lighting, UV lighting, Strobes, Fog Machines, Bubble Machines, Mirror Balls, Par Cans, Trussing, Lighting Stands etc. excluding LED and lamps)
- **Laser Products = 1 Year (365 Days) Limited Warranty** (excluding laser diodes which have a 6 month limited warranty)
- **L.E.D. Products = 2-year (730 days) Limited Warranty** (excluding motors, PCB boards, and power supplies, which have a 1-year (365 day Limited Warranty) batteries which have a 180 day limited warranty). Only the L.E.D.s carry a 2-year warranty (excluding StarTec Series which carries a 1 Year Limited Warranty) **Note: 2 Year Warranty only applies to purchases within the United States.**
- **ADJ DMX Controllers = 2 Year (730 Days) Limited Warranty** (excluding faders and tact switches)

Model: WiFly EXR QA5 IP

Voltage:	100V ~ 240V/50~60Hz
LEDs:	5 x 5W Quad LEDs (RGBA 4-in-1)
Battery Charge Time:	5 Hours
Battery Life:	5 Hours Full On (Full Charge) 10 Hours (In Energy Saving Mode with Full Charge)
Battery Lifetime*:	Average Lifetime is 500 Charges
Beam Angle:	25 Degrees
IP Rating:	65
Power Draw:	50W
Power Cord Daisy Chain:	11 Fixtures Max.
Weight:	12lbs./ 5.48Kgs.
Dimensions:	12.25" (L) x 11" (W) x 7.5" (H) 310 x 280 x 194mm
Colors:	RGBA Color Mixing
DMX Channels:	5 DMX Modes: 4/5/6/10/11
Working Position:	Any safe working position
Warranty**:	2 Year (730 days) Limited Warranty

* This depends on charging frequency

**See Warranty page for more details

Auto Sensing Voltage: This fixture contains a automatic voltage switch, which will auto sense the voltage when it is plugged into the power source.

Please Note: Specifications and improvements in the design of this unit and this manual are subject to change without any prior written notice.

ADJ Products, LLC
6122 S. Eastern Ave. Los Angeles, CA 90040 USA
Tel: 323-582-2650 / Fax: 323-725-6100
Web: www.adj.com / E-mail: info@americandj.com

A.D.J. Supply Europe B.V.
Junostraat 2
6468 EW Kerkrade
The Netherlands

Follow Us On:



facebook.com/americandj
twitter.com/americandj
youtube.com/adjlighting

service@adjgroup.eu / www.adj.eu
Tel: +31 45 546 85 00 / Fax: +31 45 546 85 99