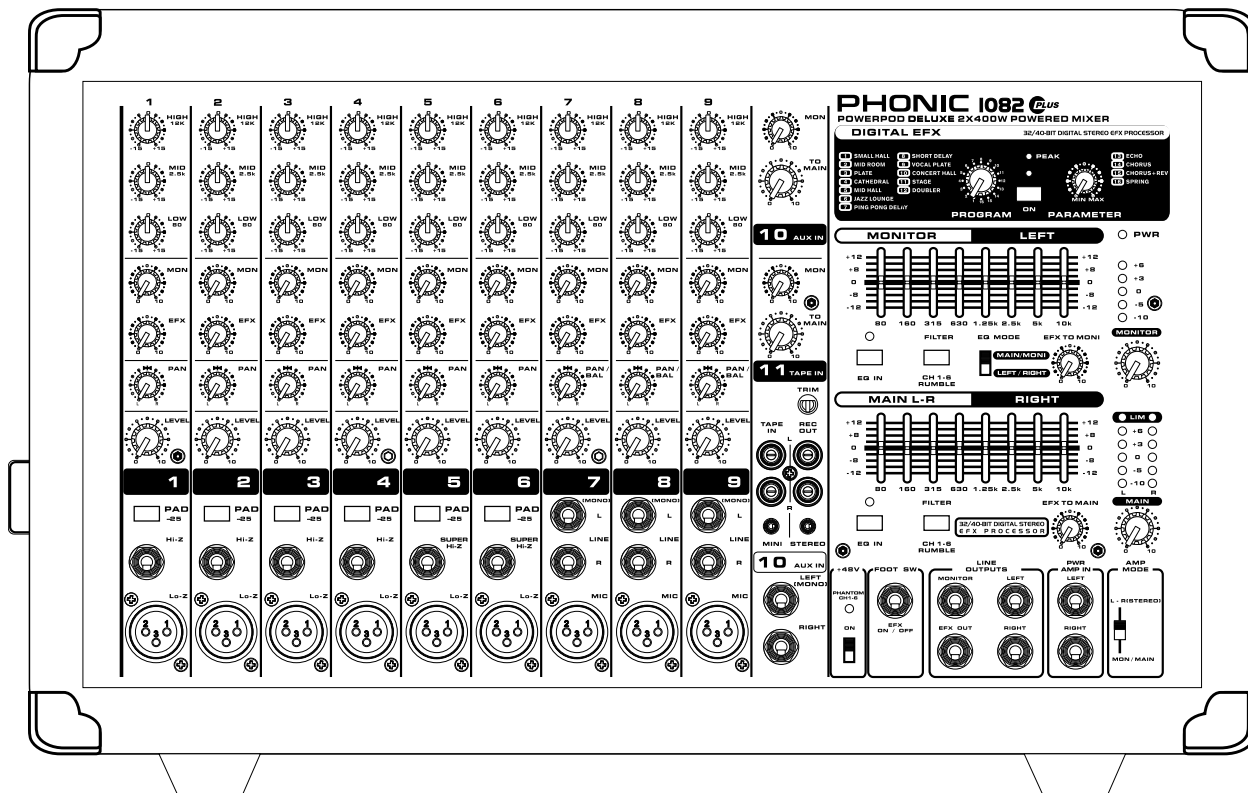


PHONIC

WWW.PHONIC.COM



Powerpod 1082 Plus

POWERPOD 1062 ^{PLUS}
POWERPOD 1062R
POWERPOD 1082 ^{PLUS}
POWERPOD 1082R

- User's Manual
- Manual del Usuario

POWERPOD 1062 *PLUS*

POWERPOD 1062R

POWERPOD 1082 *PLUS*

POWERPOD 1082R

POWERED MIXERS
MEZCLADORAS AMPLIFICADAS

ENGLISHI

ESPAÑOLII

USER'S MANUAL

CONTENTS

INTRODUCTION.....	1
FEATURES.....	1
BASIC SETUP.....	2
MAKING CONNECTIONS.....	2
CONTROLS AND SETTINGS.....	3
SPECIFICATIONS.....	7

APPENDIX

DIGITAL EFFECTS TABLE.....	1
APPLICATIONS.....	2
DIMENSIONS.....	4
BLOCK DIAGRAMS.....	5

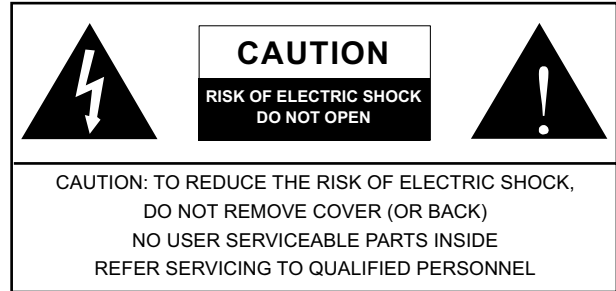
Phonic preserves the right to improve or alter any information within this document without prior notice.

IMPORTANT SAFETY INSTRUCTIONS

The apparatus shall not be exposed to dripping or splashing and that no objects filled with liquids, such as vases, shall be placed on the apparatus. The MAINS plug is used as the disconnect device, the disconnect device shall remain readily operable.

Warning: the user shall not place this apparatus in the confined area during the operation so that the mains switch can be easily accessible.

1. Read these instructions before operating this apparatus.
2. Keep these instructions for future reference.
3. Heed all warnings to ensure safe operation.
4. Follow all instructions provided in this document.
5. Do not use this apparatus near water or in locations where condensation may occur.
6. Clean only with dry cloth. Do not use aerosol or liquid cleaners. Unplug this apparatus before cleaning.
7. Do not block any of the ventilation openings. Install in accordance with the manufacturer's instructions.
8. Do not install near any heat sources such as radiators, heat registers, stoves, or other apparatus (including amplifiers) that produce heat.
9. Do not defeat the safety purpose of the polarized or grounding-type plug. A polarized plug has two blades with one wider than the other. A grounding type plug has two blades and a third grounding prong. The wide blade or the third prong is provided for your safety. If the provided plug does not fit into your outlet, consult an electrician for replacement of the obsolete outlet.
10. Protect the power cord from being walked on or pinched particularly at plug, convenience receptacles, and the point where they exit from the apparatus.
11. Only use attachments/accessories specified by the manufacturer.
12. Use only with a cart, stand, tripod, bracket, or table specified by the manufacturer, or sold with the apparatus. When a cart is used, use caution when moving the cart/apparatus combination to avoid injury from tip-over.
13. Unplug this apparatus during lightning storms or when unused for long periods of time.
14. Refer all servicing to qualified service personnel. Servicing is required when the apparatus has been damaged in any way, such as power-supply cord or plug is damaged, liquid has been spilled or objects have fallen into the apparatus, the apparatus has been exposed to rain or moisture, does not operate normally, or has been dropped.



The lightning flash with arrowhead symbol, within an equilateral triangle, is intended to alert the user to the presence of uninsulated "dangerous voltage" within the product's enclosure that may be of sufficient magnitude to constitute a risk of electric shock to persons.



The exclamation point within an equilateral triangle is intended to alert the user to the presence of important operating and maintenance (servicing) instructions in the literature accompanying the appliance.

WARNING: To reduce the risk of fire or electric shock, do not expose this apparatus to rain or moisture.

CAUTION: Use of controls or adjustments or performance of procedures other than those specified may result in hazardous radiation exposure.



INTRODUCTION

Phonic would like to congratulate you on the purchase of one of their extraordinary Powerpod mixers, powered mixers that provide more than the average. Since its introduction, the entire Powerpod series has given other powered mixer lines a run for their money. With fantastically low noise levels, high signal handling abilities, exceptional output levels, simplified signal routing abilities, and ultra-smooth controls, the Powerpod 1062 and 1082 models all provide a level of dependability not often found in powered mixers as of late.

We know how eager you are to get started – getting the mixer out and hooking all your gear up is probably your number one priority right now – but before you do, we strongly urge you to take a look through this manual. Inside, you will find important facts and figures on the set up, use and applications of your brand new mixer. If you do happen to be one of the many people who flatly refuse to read user manuals, then we just urge you to at least glance at the Instant Setup section. After glancing at or reading through the manual (we applaud you if you do read the entire manual), please store it in a place that is easy for you to find, because chances are there's something you missed the first time around.

FEATURES

- Powerpod 1062 Plus/R: 600W + 600W / 4 ohm amplifier for main L & R or main / monitor
- Powerpod 1082 Plus/R: 800W + 800W / 4 ohm amplifier for main L & R or main / monitor
- 32-bit digital stereo multi-effect processor with 16 programs plus one main parameter control, tap control and foot switch
- Dual 10-band graphic equalizers with In / Out switches for main (stereo)/monitor or main L/R
- 9 balanced mic inputs through XLR jacks
- 12 line inputs through 1/4" jacks
- 2 Super Hi-Z inputs optimized for direct input of acoustic electric guitars and electric guitars or basses
- 2 built-in limiters
- Rumbling filters for mic inputs
- 3-band channel EQ
- Pad control on channel 1~6
- Monitor and effect sends on each input channel
- Stereo aux input
- +48V phantom power on channels 1 through 6
- Record output with trim control for recording level matching
- Mains power switchable between 115VAC and 230VAC

Powerpod 'R' Models Add:

- USB recorder and playback device for capturing all performances with ease

BASIC SETUP

Getting Started

1. Turn all power off on the Powerpod mixer. To ensure this, the AC cable should not be connected to the unit.
 2. All faders and level controls should be set at the lowest level to ensure no sound is inadvertently sent through the outputs when the device is switched on. All levels should be altered to acceptable degrees after the device is turned on.
 3. Plug all necessary instruments and equipment into the device's various inputs as required. This may include line signal devices, as well as microphones and/or guitars, keyboards, etc.
 4. Plug any necessary equipment into the device's various outputs. This could include speakers, monitors, signal processors, and/or recording devices.
- NB.** No devices other than speakers should be connected to the power amp outputs. Plugging inappropriate devices into the mixer will likely cause damage to the device. Also, guitar cables should not be used to connect amplifiers to speakers.
5. Plug the supplied AC cable into the AC inlet on the back of the device, ensuring local voltage level is identical to that selected by the Voltage Selector on the rear of your device.
 6. Plug the supplied AC cable into a power outlet of a suitable voltage.
 7. Turn the power switch on.

Channel Setup

1. To ensure the correct audio levels of each input channel is selected, every channel faders should first be set to 0.
 2. Choose the channel that you wish to set the level of, and ensure that channel has a signal sent to it similar to the signal that will be sent when in common use. For example, if the channel is using a microphone, then you should speak or sing at the same level the performer normally would during a performance. If a guitar is plugged into that channel, then the guitar should also be used as it normally would be.
- NB.** It is probably best to have nothing plugged into channels which are not being set, just to ensure no signal is inadvertently sent through the channel.
3. This channel is now ready to be used; you can stop making the audio signal.
 4. You should now select the next channel to set and go back to follow steps 1 through 3.

MAKING CONNECTIONS

Channel Inputs

The Powerpod 1062 and 1082 models all feature a total on 10 input channels, including 3 that feature stereo inputs. Each channel features a microphone XLR jack and at least one 1/4" Phone Jack for balanced and unbalanced connections. Each stereo channel features different inputs jacks, accepting either microphone inputs or stereo line inputs.

1. XLR Lo-Z Inputs

These XLR microphone inputs can be used in conjunction with a wide range of microphones, such as professional condenser, dynamic or ribbon microphones, with standard XLR male connectors. With low noise preamplifiers, these inputs serve for crystal clear sound replication.

NOTE: When using an unbalanced microphone, please ensure phantom power is switched off. However, when using condenser microphones the phantom power should be activated.

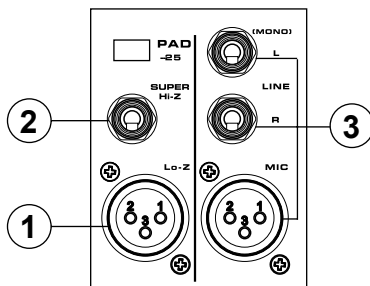
2. 1/4" Hi-Z and Super Hi-Z Input Jacks

These inputs accept typical 1/4" TRS or TS unbalanced inputs. The Hi-Z inputs accept balanced TRS inputs, and are for Microphone to line-level device (such as synthesizers and drum machines), where the Super Hi-Z inputs accept TS unbalanced sources, and can be used in conjunction with devices with higher impedance levels (including electric guitars and basses).

NB.When using a line-level device on your mixer, the PAD -25 button should be initiated.

3. Stereo Channel Inputs

Each of the Powerpod 1062 and 1082 model powered mixers provide 3 stereo input channels, the inputs of which differ slightly to the mono channels. The 3-pin XLR inputs featured are for the addition of microphones with typical XLR male inputs, where the 2 Line 1/4" TS jacks are for the addition of various stereo line level input devices, such as keyboards. If you wish to use a monaural device on a stereo return input, simply plug the device's 1/4" phone jack into the left (mono) stereo input and leave the right input bare. The signal will be duplicated to the right due to the miracle of jack normalizing.



Master Section

4. Tape In (L and R)

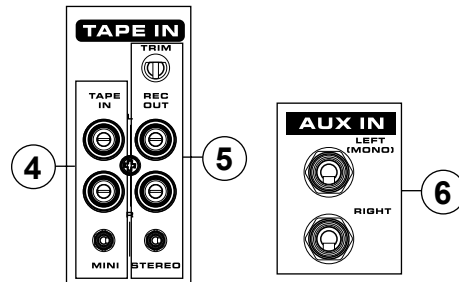
The first of these inputs accommodates RCA cables from such devices as tape and CD players. In addition to these inputs, however, Phonic has incorporated a mini stereo jack for the inclusion of such devices as mini disc (MD), portable CD, and MP3 players (such as the Apple iPod), as well as laptop computers. The line from this feed is directed to the Tape In mixing bus, before being fed through to the Main L/R mixing bus.

5. Record Outputs (L and R)

As with the Tape In ports, these outputs will accommodate RCA cables, able to be fed to a variety of recording devices. Also, similar to the Tape In ports, included are mini stereo jacks for the addition of recording devices such as MD players and laptop computers. A trim control is featured on these outputs to accommodate for devices with different recording levels.

6. AUX Inputs

These TS inputs connect the mixer with parallel external devices, such as sub mixers or external effect processors, receiving the processed signal from another source and feeding it to the AUX mixing buses. The stereo AUX inputs can be used as monaural inputs by simply plugging the device's 1/4" phone jack into the left (mono) stereo input and leave the right input bare. Your good friend, Jack Normalizing, will take care of the rest.



7. Foot Switch Jack

This port is for the inclusion of a non-latching foot switch, used to remotely adjust properties of the built-in Digital Effect processor. The Powerpods 1062 and 1082 models all feature a single foot switch jack, which allows the user to remotely turn on and off the digital effects.

8. EFX (Effect) Outputs

These 1/4" TS outputs are the final output from the EFX send mixing bus. This feed may be used to connect to an external digital effect processor, or even to an amplifier and speakers, depending on your desired settings.

9. Monitor Outputs

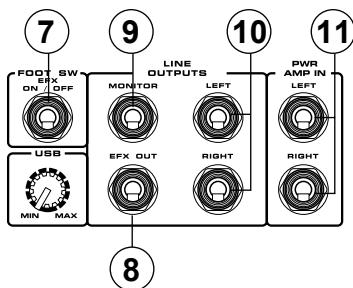
These 1/4" TS outputs are the final output from the Monitor send mixing bus. This feed may be used to connect to an amplifier and speaker. Feeding the output from the Monitor out to an amplifier (and possibly an equalizer) and then to a floor monitor speaker allows artists to monitor their own instruments or vocals whilst performing, or an engineer to monitor the mix.

10. Main Outputs

These jacks will output the final stereo line level signal sent from the main mixing bus. The primary purpose of these jacks is to send the Main output to external devices that may run in parallel with the mixer. This may include additional power amplifiers, mixers, PA systems, as well as a wide range of other possible signal processors.

11. Power Amp Inputs

These inputs support 1/4" TS plugs and can be used for the inclusion of an external line level stereo signals to the built-in power amplifier. If a device is connected to the power amp inputs, the main feed will automatically bypass the power amp and the inserted feed will be amplified and sent to the Speaker Outputs instead.

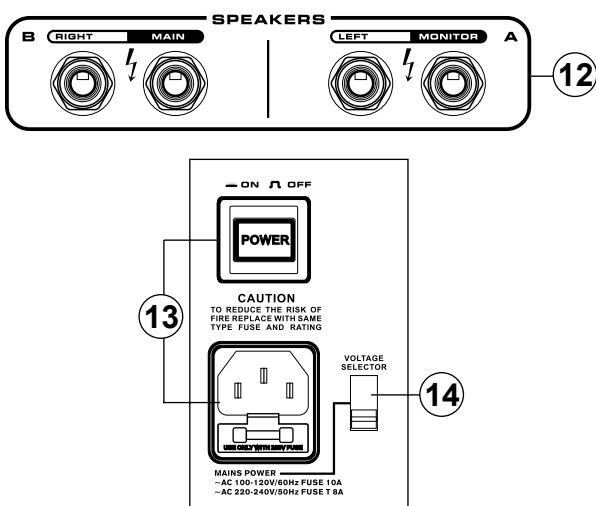


Rear Panel

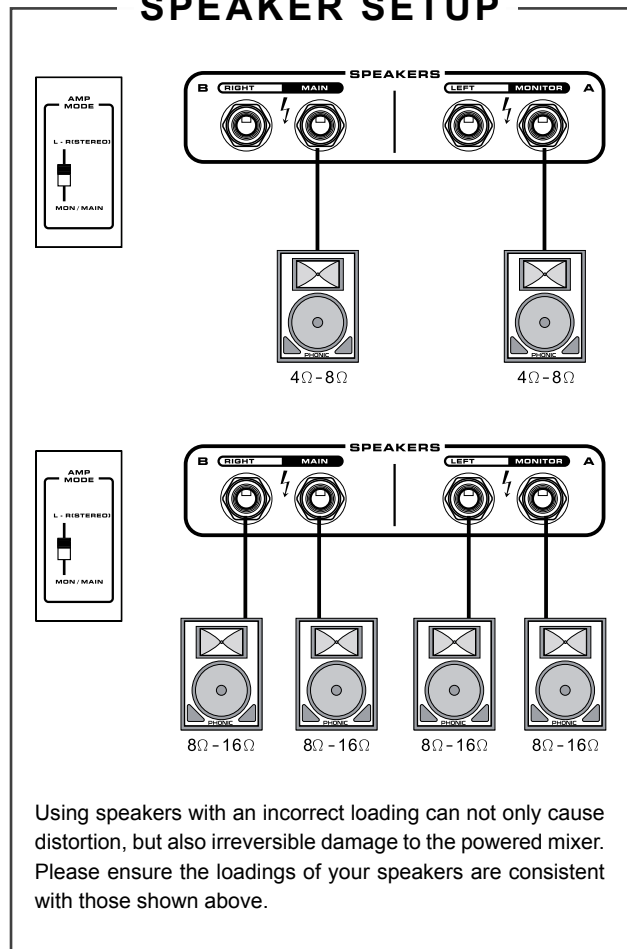
12. Speaker Outputs

These jacks are used to connect to speakers, fed from the internal power amp. On all models, they consist of 1/4" Phone Jacks. The Amp Select switch determines the operation of these jacks. If the Amp Select switch is set to "Main L-R (Stereo)" or "Main / Moni" a single speaker with a 4 to 8 ohm load can be connected to jack A on both the left and right Speaker Outputs. You can also connect two speakers with impedances between 8 and 16 ohms to both jacks A and B of the left and right Speaker Outputs.

NB. Due to the fact that the signal has been processed by the power amp, these ports should be used in conjunction with passive speakers only to avoid damaging any other equipment.



SPEAKER SETUP



Using speakers with an incorrect loading can not only cause distortion, but also irreversible damage to the powered mixer. Please ensure the loadings of your speakers are consistent with those shown above.

CONTROLS AND SETTINGS

Rear Panel

13. Power Button and AC Connector

The power button, located on the rear of the mixer, is used to activate the mixer. Of course, there's no point in activating the mixer if there's no power, therefore an AC connector has been included to ensure your Mixer gets the power it needs. Please use the power cable that is included with this mixer only.

NB. Before connecting the AC cable to the Powerpod Mixer, please ensure the local voltage levels are identical to those chosen by the Voltage Selector switch.

14. Voltage Selector

This switch allows you to select from 2 mains power modes, 115 VAC / 60 Hz (Allowing you to use the device in Countries with voltages between 100V and 120V) or 230 VAC / 50 Hz (Allowing you to use the device in Countries with voltages between 220V and 240V). To change the Voltage Selector, you must first unscrew and remove the plastic cover that protects the switch. After changing the Voltage, please replace the plastic cover to ensure the voltage level is not inadvertently altered.

NB. Using incorrect voltages can cause irreversible damage to the mixer. All care must be taken in selecting the voltage appropriate to your zone. If unsure of local voltage levels, contact a knowledgeable source before using this mixer.

Channel Controls

15. HIGH (High Frequency) Control

This control is used to give a shelving boost or cut of ± 15 dB to high frequency (12 kHz) sounds. This will adjust the amount of treble included in the audio of the channel, adding strength and crispness to sounds such as guitars, cymbals, synthesizers and Michael Jackson.

16. MID (Middle Frequency) Control

This control is used to provide a peaking style of boost and cut to the level of middle frequency sounds at a range of ± 15 dB. Changing middle frequencies of an audio feed can be rather difficult when used in a professional audio mix, as it is usually more desirable to cut middle frequency sounds rather than boost them, soothing overly harsh vocal and instrument sounds in the audio.

17. LOW (Low Frequency) Control

This control is used to give a shelving boost or cut of ± 15 dB to low frequency (80 Hz) sounds. This will adjust the amount of bass included in the audio of the channel, and bring more warmth and punch to drums, bass guitars and Isaac Hayes.

18. MON (Monitor) Level Control

This control alters the signal level that is being sent to the Monitor mixing buses, the signal of which is suitable for connecting stage monitors, allowing artists to listen to the music that is being playing.

19. EFX (Effect) Level Control

This control alters the signal level that is sent to the EFX output, which can be used in conjunction with external signal processors (this signal of which can be returned to mixer via the stereo return inputs), or simply as additional auxiliary outputs for any means required. These controls also adjust the level of audio that is sent to the built-in digital effect panel.

20. Pan / Balance Controls

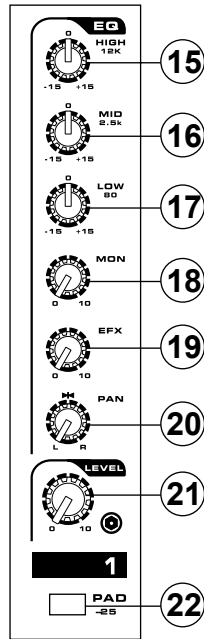
This alternates the degree or level of audio that the left and right side of the main mix should receive. On mono channels, this control will adjust the level that the left and right should receive, where as on a stereo channel, adjusting the BAL control will attenuate the left or right audio signals accordingly.

21. Channel Level Control

This control will alter the signal level that is sent from the corresponding channel to the Main mixing bus.

22. PAD -25 Button

The PAD -25 button, located above the 1/4" Phone Jack of mono channels, is used to attenuate the input signal by 25 dB. This should only be pushed in when using line-level input devices.



Digital Effect Processor

23. Effects On Button and Indicator

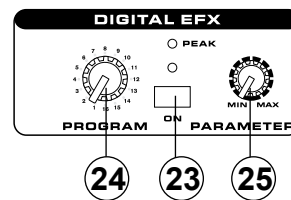
Pushing this button will turn the built-in effect processor on and off. When the effect processor is activated, the corresponding LED will light up to indicate so.

24. Program Control

This control will allow users to select one of the 16 built-in digital effects of the Powerpod powered mixer. The effect names that correspond with the numbers can be found on the top of the mixer's face, or in the digital effect table.

25. Parameter Control

Turning this control will adjust the one main parameter of the selected effect. Each effect's parameter can be found on the digital effect table.



Master Section

26. EFX To Monitor Control

This controls the level of the processed signal from the built-in effect processor, that is sent to the Monitor mixing bus.

27. EFX To Main Control

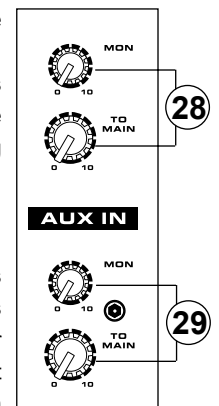
This controls the level of the processed signal from the built-in effect processor, that is sent to the Main L/R mixing bus.

28. AUX In Controls

The Powerpod 1062 and 1082 models feature 2 AUX in Controls. One that adjusts the final level that is sent to the Monitor mixing bus (the upper control), another that controls the final level that is sent to the Main L-R mixing bus (the lower control).

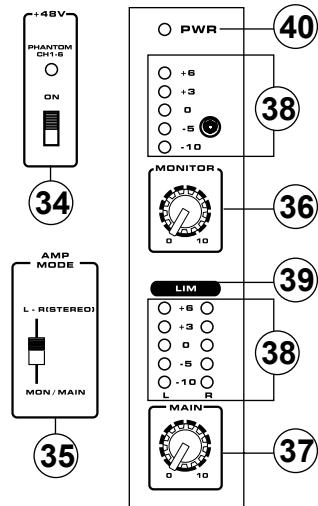
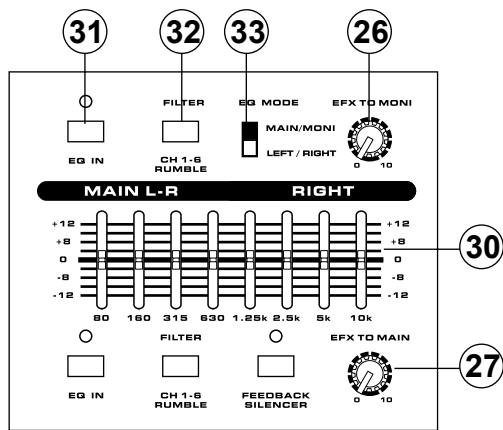
29. Tape In

The Powerpod 1062 and 1082 models feature 2 Tape in controls. One that adjusts the final level that is sent to the Monitor mixing bus (the upper control), another that controls the final level that is sent to the Main mixing bus (the lower control).



30. Graphic Equalizers

These graphic equalizer allows you to adjust the frequency response of a signal, with a maximum of ± 12 dB of signal boost or cut for each of the frequencies. The Powepod 1062 and 1082 models all feature dual 10-band Graphic Equalizers. The uppermost equalizer is for alteration of the Monitor signal (when the EQ switch is in the appropriate position it becomes the Main Left EQ, where the lower equalizer is for the Main L-R signal.



31. EQ IN and Indicator

This button activates the graphic equalizer in which it accompanies. The corresponding LED indicator illuminates when the EQ is activated.

32. Rumble Filter (Powerpod 1082 models only)

This button activates a rumble filter on channels 1 through 6 to help remove low frequency sounds that could affect input signals.

33. EQ Select Switch

This switch enables you to select the way you utilize the pair of Equalizers on these models. When the switch is in the uppermost position it enables you to use the top equalizer for the Monitor signal, and the bottom equalizer for the Main L/R signal; the lower position enables the equalizers to be used for the Main Left and Right signals.

34. Phantom Power Switch and Indicator

When this switch is in the on position it activates +48V of phantom power for the XLR inputs on channels 1 to 6, allowing condenser microphones to be used on these channels. The corresponding LED will illuminate when the Master Phantom Power is activated.

35. Amp Select Switches

This switches control the activity of the built-in power amp, enabling the user to alternate between the different signals which can be processed by the built-in power amp and routed to the speaker outputs on the rear of the device. This switch allows you to select from: Main/Monitor – taking the monitor and main signals and directing them to the appropriate speaker outputs – Main L / Main R – using the Main L/R signal to feed the speaker outputs.

36. Monitor Level Control

This rotary control allows the user to adjust the final signal level sent to all Monitor outputs.

37. Main Level Control

This rotary control allows the user to adjust the final signal level sent to the Main L-R and Speaker outputs.

38. Level Meter

These level meters give accurate indications of when audio levels of the Main L/R stereo (or Main mono) and Monitor outputs reach certain levels. The 0 dB indicator illuminates is approximately equal to an output level of +4 dBu. It is suggested for the maximum use of audio to set the various levels controls so that it sits steadily between 0 and the second highest level indicated on the Level Meter to make full use of audio, while still maintaining fantastic clarity.

39. Limiters

These LED indicators illuminate when the power amplifier's built-in limiters are activated, which effectively reduce signal levels when they reach high levels that could prove to damage sound quality.

40. Power Indicator

This LED indicator illuminates when power of your Powerpod mixer is activated.



“R” Recording

This section is for users with an “R” version of the Powerpod. On these models, users will find a USB port accompanied by a LCD and four function buttons. Please see the operating instructions below:

Playback:

The USB player supports WAV, WMA, and MP3 playback through USB.

1. Power on the device.
2. Insert an appropriately formatted (FAT32) USB flash drive.
3. On the main menu, select “Playback” and press the PLAY button.
4. Press the PLAY button to play the current track, or the << and >> buttons to skip forward and backwards between tracks.
5. Press the MENU button while in the Playback mode to access the File Browser, Delete File, Repeat Mode and Volume Control functions.
6. Press and hold the MENU button for three seconds to exit playback mode and return to the main menu.

Folders - Freely navigate songs in each folder on USB flash disc using the << and >> buttons. Press PLAY button to select, press MENU button to go back.

Repeat Mode - There 4 repeat modes available.

No Repeat - Play each file in the current folder or root for once.

Repeat One - Constantly repeat selected song.

Repeat Folder - Constantly repeat all the song in the certain folder or root.

Random – Enables random playback of files in current folder or root.

Record:

Users can record high definition WAV format.

1. Power on the device.
2. Insert an appropriately formatted (FAT32) USB flash drive.
3. In the main menu, select “Record” and press the PLAY button to enter recording mode.
4. Select between the 128kbit/s and 192 kbit/s WAV recording modes and press PLAY button.
5. Record mode will begin in standby/pause. Push the Play/Pause button to begin recording. The unit will save the recorded file into the RECORD directory on the USB device.
6. Push the Play/Pause button to pause recording. Pushing the Play/Pause button again will resume recording from the position at which it was paused.
7. Press the MENU button at any time to save the recording. Once the recording is saved, the system will automatically skip to the next track.
8. To exit out of the playback mode and return to the main menu, press and hold MENU button for three seconds.

NOTE:

1. The USB rotary control will adjust the playback level only and will not affect recording levels. The only level controls that will affect the recording level are those found on the individual input channels.
2. Users may experience very short instances of drop outs during playback of recorded WAV files.

Specifications

	1062 PLUS / R	1082 PLUS / R
Number of Power Channels	2	2
Limiter	2	2
8 ohms per Channel	400	540
4 ohms per Channel	600	800
Crosstalk (1KHz@0dBu, 20Hz to 20KHz bandwidth, channel in to main L/R outputs)		
Channel muted, other channels at unity	<-64dB	<-64dB
Frequency Response at proper impedance load	+0/-2dB	+0/-2dB
Noise: 20Hz to 20KHz bandwidth, IHF-A weighted, line inputs to main L/R outputs, all channels assigned, panned L/R		
Master output, all fader down	<-78dBu	<-78dBu
Power amp output, all fader down	<-63dBu	<-63dBu
THD		
Power output, 1KHz, 20Hz to 20KHz	@100 watts, 4 ohms <0.5%	@100 watts, 4 ohms <0.5%
Any output, 1KHz @ +14dBu, 20Hz to 20KHz, channel inputs	<0.3%	<0.3%
Inputs / Outputs		
Lo-Z / Hi-Z Channels	8, 2 with super Hi-Z (470K ohms)	8, 2 with super Hi-Z (470K ohms)
Balanced Mic/ Stereo Line Channels	2	2
2T Input	RCA	RCA
Aux Returns	2 x 1/4" TRS, Bal.	2 x 1/4" TRS, Bal.
Main L/R Stereo	2 x 1/4" TRS, Unbal.	2 x 1/4" TRS, Unbal.
Monitor Send	1 x 1/4" TRS, Unbal.	1 x 1/4" TRS, Unbal.
Aux / Efx Send	1 x 1/4" TRS, Unbal.	1 x 1/4" TRS, Unbal.
Phones	TRS	TRS
Record Out	RCA	RCA
Speaker Outputs	4 x 1/4" TRS	4 x 1/4" TRS
Master Section		
Monitor & AUX / EFX Send Masters	2	2
Stereo Aux Returns	1	1
Effects Return to Monitor	Yes	Yes
Phones Level Control	Yes	Yes
Faders	Moni, Main L/R (Rotary)	Moni, Main L/R (Rotary)
Phantom Power Supply	+48VDC	+48VDC
Built-in Digital Effect Processor	16 programs, plus one main parameter control	16 programs, plus one main parameter control
Foot Switch	Digital effect mute: ON/OFF	Digital effect mute: ON/OFF
Bluetooth	N/A	N/A
Audio DAC	N/A	N/A
Built-in Graphic EQ	2 x 7-band	2 x 7-band
CMRR (1 KHz @ -60dBu, Gain at maximum)	80dB	80dB
Channel Equalization	3-band, ±15dB	3-band, ±15dB
Low EQ	80Hz	80Hz
Second Mid EQ (St channel)	2.5KHz	2.5KHz
Hi EQ	12KHz	12KHz
Power Requirement (depends on region)	100-120VAC, 220-240VAC, 50/60 Hz	100-120VAC, 220-240VAC, 50/60 Hz
Dimensions (WxHxD)	471x285x275 mm (18.54"x11.2"x10.8")	471x285x275 mm (18.54"x11.2"x10.8")
Weight	17.8 kg (39.2 lbs)	18.14 kg (40 lbs)

SERVICE AND REPAIR

For replacement parts, service and repairs please contact the Phonic distributor in your country. Phonic does not release service manuals to consumers, and advice users to not attempt any self repairs, as doing so voids all warranties. You can locate a dealer near you at <http://www.phonic.com/where/>.

WARRANTY INFORMATION

Phonic stands behind every product we make with a no-hassles warranty. Warranty coverage may be extended, depending on your region. Phonic Corporation warrants this product for a minimum of one year from the original date of purchase against defects in material and workmanship under use as instructed by the user's manual. Phonic, at its option, shall repair or replace the defective unit covered by this warranty. Please retain the dated sales receipt as evidence of the date of purchase. You will need it for any warranty service. No returns or repairs will be accepted without a proper RMA number (return merchandise authorization). In order to keep this warranty in effect, the product must have been handled and used as prescribed in the instructions accompanying this warranty. Any tampering of the product or attempts of self repair voids all warranty. This warranty does not cover any damage due to accident, misuse, abuse, or negligence. This warranty is valid only if the product was purchased new from an authorized Phonic dealer/distributor. For complete warranty policy information, please visit <http://www.phonic.com/warranty/>.

CUSTOMER SERVICE AND TECHNICAL SUPPORT

We encourage you to visit our online help at <http://www.phonic.com/support/>. There you can find answers to frequently asked questions, tech tips, driver downloads, returns instruction and other helpful information. We make every effort to answer your questions within one business day.

support@phonic.com
<http://www.phonic.com>

PHONIC

Manual del Usuario

CONTENIDO

INTRODUCCION.....	1
CARACTERISTICAS.....	1
CONFIGURACION BASICA.....	2
HACIENDO CONEXIONES.....	2
CONTROLES Y SETEOS.....	3
ESPECIFICACIONES.....	7

APÉNDICE

TABLA DE EFECTOS DIGTALES.....	1
APLICACIONES.....	2
DIMENSIONES.....	4
DIAGRAMAS DE BLOQUE.....	5

Phonic se reserva el derecho de mejorar o alterar cualquier información provista dentro de este documento sin previo aviso.

INSTRUCCIONES DE SEGURIDAD

1. Lea estas instrucciones antes de operar este aparato.
2. Mantenga este instructivo para futuras referencias.
3. Preste atención a todas las advertencias para asegurar una operación adecuada.

4. Siga todas las instrucciones indicadas en este instructivo.
5. No utilice este aparato cerca del agua o en lugares donde se puedan dar condensaciones.

6. Limpie solamente con lienzos secos. No utilice aerosol ni limpiadores líquidos. Desconecte este aparato antes de limpiarlo.

7. No bloquee ninguna de las aberturas de ventilación. Instale según las instrucciones del fabricante.

8. No lo instale cerca de cualquier fuente de calor como radiadores, registros de calor, estufas, u otro aparato (incluyendo amplificadores) que produzcan calor.

9. No deshaga la opción de seguridad del plug polarizado o aterrizado. Una clavija polarizada tiene dos cuchillas una más grande que la otra. Una clavija del tipo polarizado tiene dos cuchillas y un diente. La cuchilla más ancha o el tercer diente está incluido para su seguridad. Si esta clavija no se acomoda en su toma corriente, consulte un electricista para que cambie el toma corriente obsoleto.

10. Proteja el cable de electricidad de ser pisado o picado particularmente en la clavija, los receptáculos y en el punto donde estos salgan del aparato. No pise los cables de alimentación de AC.



11. Utilice solamente accesorios o demás cosas especificadas por el fabricante.

12. Transporte solamente con un carro, pedestal, tripie abrazaderas o mesas especificadas por el fabricante, o incluidas con el aparato. Si se utiliza un carro, tenga precaución cuando mueva el carro con el aparato para evitar lesiones de cualquier tipo.



13. Desconecte este aparato durante tormentas eléctricas o cuando no se ocupe en periodos largos de tiempo.

14. Refiera todo el servicio al personal calificado. Se requiere de servicio cuando el aparato a sido dañado en cualquier manera, por ejemplo cuando el cable de alimentación de voltaje o la clavija han sido dañados, si se ha derramado líquido o si algún objeto a caído en el aparato, o si el aparato ha sido expuesto a la lluvia o a la humedad, no funcione normalmente o si ha sufrido una caída.

	PRECAUCION RIESGO DE SHOCK ELECTRICO NO ABRIR	
PRECAUCION: PARA REDUCIR EL RIESGO DE SHOCK ELECTRICO NO REMUEVA LA TAPA (O LA CUBIERTA) NO HAY REFACCIONES DENTRO MANDE A SERVICIO CON EL PERSONAL CALIFICADO		



El símbolo con una flecha encerrado en un triángulo equilátero, es para alertar al usuario de la presencia de "voltaje peligroso" no aislado dentro del chasis del producto que pudiera ser de magnitud suficiente para constituir un riesgo de shock eléctrico a las personas.



El punto de exclamación dentro de un triángulo equilátero es para alertar al usuario de la presencia de instrucciones importantes de operación y mantenimiento (servicio) en la literatura que acompaña el equipo.

ADVERTENCIA: Para reducir el riesgo de shock o fuego eléctrico no exponga este aparato a la lluvia o a la humedad.

PRECAUCION: No use controles, ajustes, no realice procedimientos diferentes a los especificados, esto puede resultar en una peligrosa exposición a la radiación.

PHONIC

INTRODUCCION

Phonic Corp quiere felicitarle por su compra de una de las extraordinarias mezcladoras Powerpod, mezcladoras amplificadas que proveen más que las promedio. Desde su introducción, la entera serie Powerpod ha dado otras líneas de mezcladora amplificada rentable. Con sorprendentes niveles bajos de ruido, altas habilidades de manejo de señal, niveles de salida extraordinarios, posibilidades de ruteo de señales y controles ultra manejables, las Powerpod 1062 y 1082 las dos proveen un nivel de confianza no encontrado a menudo en otras mezcladoras amplificadas en el mercado.

Nosotros sabemos que está impaciente por empezar- esperando a sacar la mezcladora y conectar todo que seguramente es su única prioridad en estos momentos - pero antes de hacerlo, le pedimos encarecidamente que darle un vistazo a este manual. Dentro encontrara hechos importantes con imágenes de la configuración, uso y aplicaciones de su nueva mezcladora. Si resulta ser de esas personas que se niega totalmente a leer los manuales, entonces solo le pediremos que lea la sección de Configuración Básica. Después de que le da un vistazo a todo el manual (le felicitamos si lee todo el manual), por favor guárdalo en un lugar donde pueda encontrarlo fácilmente, porque puede suceder que no recuerde algo de la primera vez que leyó este documento.

CARACTERÍSTICAS

- Powerpod 1062 Plus/R: 600W + 600W / 4 ohm amplificador para main L & R o main / monitor
- Powerpod 1082 Plus/R: 800W + 800W / 4 ohm amplificador para main L & R o main / monitor
- Procesador multi-efecto estéreo digital a 32 bits con 16 programas más un control de parámetro principal, control tap e interruptor de pedal
- Ecuilizador gráfico de 10 bandas dual con selectores de entrada/salida para main (estéreo)/monitor o main L/R
- 9 entradas de micrófono balanceadas con jacks XLR
- 12 entradas por línea en jacks 1/4"
- 2 entradas de Súper alta impedancia (Hi-Z) optimizadas para entrada directa de guitarras electroacústicas y guitarra eléctrica o bajos
- 2 limitadores integrados
- Filtros de ruido para las entradas de micrófono
- EQ de canal de 3 bandas
- Control de PAD en canales 1-6
- Envíos de monitor y efecto en cada canal de entrada
- Entrada aux estéreo
- Alimentación fantasma de +48 V en el canal 1 a 6
- Salida de grabación con control de trim para igualar nivel de grabación
- Fuente de alimentación seleccionable entre 115VAC y 230VAC

Añadidos a modelos Powerpod "R":

- Dispositivo grabadora y reproductor USB para captar toda clase de ejecuciones con facilidad.

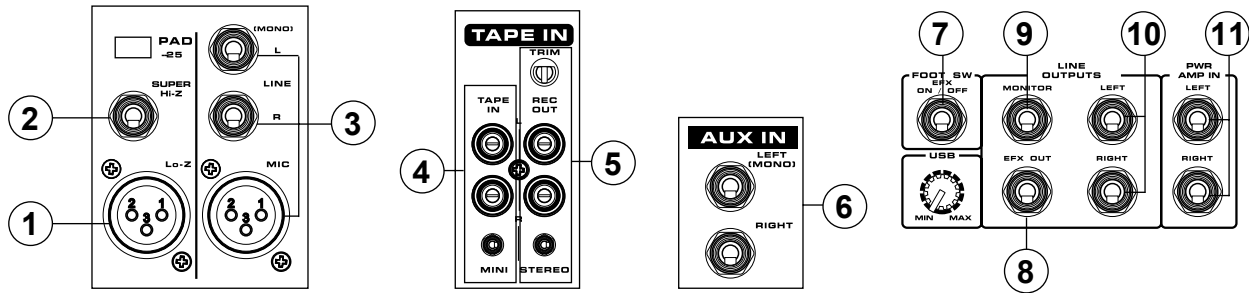
CONFIGURACIÓN BASICA

Iniciando

1. Asegúrese de que todo el voltaje de la mezcladora Powerpod esté apagado. Para asegurarse de esto, el cable de AC no debe de estar conectado a la unidad.
 2. Todos los faders y controles de nivel deben estar seteados en el nivel más bajo para asegurarse que no se envíe ningún sonido inadvertidamente a través de las salidas cuando se enciende el dispositivo. Todos los niveles deben ser alterados a los grados aceptables después de que se enciende el dispositivo.
 3. Conecte todos los instrumentos y equipo necesarios en las varias entradas del dispositivo como sea necesario. Esto puede incluir dispositivos de señal de línea, como micrófonos y/o guitarras, teclados, etc.
 4. Conecte todo el equipo necesario en las varias salidas de dispositivo. Esto puede incluir altavoces, monitores, procesadores de señal y/o dispositivos de grabación.
- NOTA.** Ningún otro dispositivo más que los altavoces deberán estar conectados a las salidas del amplificador. Conectar dispositivos inapropiados a esta mezcladora causará daños serios al dispositivo. Tampoco se deberán utilizar cables de guitarra para conectar los amplificador a los altavoces.
5. Conecte el cable de AC al conector trasero de dispositivo, asegúrese de que el nivel del voltaje local es idéntico al seleccionado en el Selector de Voltaje de la parte posterior de la unidad.
 6. Conecte el cable de AC al toma corriente de voltaje compatible.
 7. Encienda la unidad.

Configuración de Canal

1. Para asegurar que se seleccionó el nivel de audio correcto para cada canal de entrada, cada fader de canal deberá setear primero a la posición 0.
 2. Elija el canal que quiera ajustar, y asegúrese de que cada canal tenga señal de envío similar a la señal que será enviada en uso común. Por ejemplo, si el canal tiene un micrófono conectado, entonces hable o cante al micrófono al mismo nivel que el cantante usaría durante su presentación. Si se conecta una guitarra en ese canal, entonces la guitarra deberá tocarse al mismo nivel en que se tocaría normalmente.
- NOTA.** Es mejor no tener nada conectado en los canales que no están siendo seteado, solo para asegurar que ninguna señal es enviada por error al canal.
3. Este canal está ahora listo para usarse; ya puede dejar de hacer la prueba de audio.
 4. Ahora deberá seleccionar el siguiente canal para ajustarlo y repetir los pasos del 1 al 3.



HACIENDO CONEXIONES

Entradas de Canal

Los modelos Powerpod 1062 y 1082 todos figuran con un total de 10 entradas de canales, incluyendo 3 de las cuales son entradas estéreo. Cada canal se caracteriza con un micrófono XLR jack y por lo menos un Phone Jack 1/4" para conexiones balanceadas y desbalanceadas. Cada canal estéreo figura con diferentes entradas jacks, aceptando ya sea entradas de micrófono o de línea estéreo.

1. Entradas XLR de baja impedancia (Lo-Z)

Estas entradas XLR de micrófono pueden ser utilizadas en conjunto con una amplia gama de micrófonos, tales como micrófonos profesionales de condensador, dinámicos o ribbon, con conectores macho estándar XLR. Con preamplificadores de bajo ruido, estas entradas sirven para reproducir sonido cristalino y limpio.

NOTA: Cuando se utiliza un micrófono desbalanceado, por favor asegúrese de que la fuente fantasma esté apagada. Sin embargo, cuando se utiliza micrófonos de condensador, la fuente fantasma deberá ser activada.

2. Jacks de Entrada 1/4" de Alta Impedancia (Hi-Z) y Jacks de Súper Alta Impedancia (Súper Hi-Z)

Estos conectores aceptan entradas típicas de 1/4" TRS o TS desbalanceada. Las entradas de Hi-Z aceptan entradas balanceadas TRS, y son para micrófonos a dispositivos de nivel de línea (como sintetizadores y drum machines), mientras que las entradas de Súper Hi-Z aceptan fuentes desbalanceadas TS y, pueden ser utilizadas en conjunto con dispositivos con niveles superiores de impedancia (incluyendo guitarras eléctricas y bajos).

NOTA. Cuando se utiliza un dispositivo de nivel de línea en la mezcladora, el selector PAD -25 deberá activarse.

3. Entradas de Canal Estéreo

Cada modelo de las mezcladora potenciadas Powerpod 1062 y 1082 brinda canales de 3 entradas estéreo, las entradas diferencian un poco a los canales mono. Los 3 pins de entradas están caracterizadas con el añadido de entradas de micrófonos con entradas macho tradicionales XLR, donde 2 líneas 1/4" TS jacks son para el añadido variado de dispositivos de entrada de nivel de línea estéreo, como teclados. Si usted desea utilizar un dispositivo monoaural en una entrada de retorno estéreo, simplemente conecte el jack de audífono de 1/4" de dispositivo a la entrada izquierda estéreo (mono) y deja la entrada derecha sin conexión. La señal se duplicará al canal derecho debido al milagro de la normalización de jack.

Sección Master

4. Entrada de Tape (L y R)

La primera de estas entradas acomoda cables RCA de aquellos dispositivos como reproductores de CD y tape. Además de estas entradas, Phonic ha incorporado un mini jack estéreo para agregar dispositivos como mini disc (MD), CD portable y reproductores MP3 (tales como Apple iPod), así como computadoras portátiles. La línea de esta alimentación es dirigida al bus de mezcla de entrada de Tape, antes de ser alimentada al bus de mezcla Main L/R.

5. Salidas de Grabación (L y R)

Así como en los puertos de entrada de Tape, estas salidas acomodaran a los cables RCA, capaz de alimentar una variedad de dispositivos de grabación. También, similar a los puertos de Entrada Tape, incluidos son los mini jacks estéreos para la adición de dispositivos de la grabación tales como reproductores de MD y computadoras portátiles. Incluyen un control de trim en estas salidas para poder acomodar cualquier dispositivo con diferentes niveles de grabación.

6. Entradas AUX

Estas entradas TS conectan la mezcladora con los dispositivos externos paralelos, tales como sub mezcladoras o procesadores externos de efecto, recibiendo la señal procesada de otra fuente y alimentándola a los buses de mezcla AUX. Las entradas estéreo AUX pueden ser utilizadas como entradas monoaurales simplemente echufando jack de audífono de 1/4" del dispositivo en la entrada izquierda estéreo (mono) y dejar la entrada derecha sin conectar. Su buen amigo, Normalización de Jack, tomará cargo del resto.

7. Jack para interruptor de pedal

Este puerto está para la inclusión de un interruptor pedal no-latch, usado para ajustar remotamente las propiedades del procesador de Efecto Digital integrado. Las Powerpods 620, 740, 780, 1062 and 1082 todas presentan un solo jack para interruptor pedal, que permite al usuario encender y apagar remotamente los efectos digitales.

8. Salida de EFX (Efectos)

Estas salidas 1/4" TS son la salida final del bus de mezcla de envío de EFX. Esta alimentación puede ser utilizada para conectar a un procesador de efecto digital externo, o incluso a un amplificador y altavoces, dependiendo de su configuración deseada.

9. Salidas de Monitor

Estas salidas 1/4" TS son la salida final de envío Monitor de bus de mezcla. Esta alimentación puede ser utilizada para conectar a un amplificador y altavoces. Alimentar la señal de Monitor a un amplificador (y posiblemente un ecualizador) y de ahí a altavoz monitor de piso, permite a los artistas monitorear sus propios instrumentos o voces mientras hacen su presentación, o permite a un ingeniero monitorear la mezcla.

10. Salidas Principales

Estos jacks darán la salida estéreo final de nivel de línea, enviada desde el bus de mezcla principal. El propósito primario de estos jacks es el de enviar la salida principal a dispositivos externos que pueden funcionar en paralelo con la mezcladora. Esto puede incluir amplificadores de potencia adicionales, mezcladoras, sistemas PA, así como un amplio rango de otros posibles procesadores de señal.

11. Entradas del Amplificador de Potencia

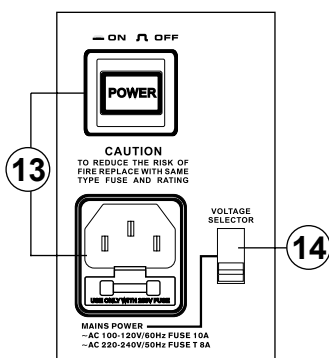
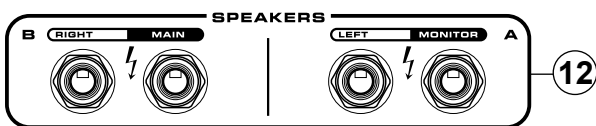
Estas entradas soportan plug 1/4" TS y pueden ser utilizadas para la inclusión de señales externas estéreo de nivel de línea al amplificador de potencia integrado. Si un dispositivo está conectado a las entradas del amplificador, la alimentación principal cancelará (bypass) automáticamente al amplificador de potencia y la alimentación insertada será amplificada y enviada a las Salidas de Altavoz.

Panel Posterior

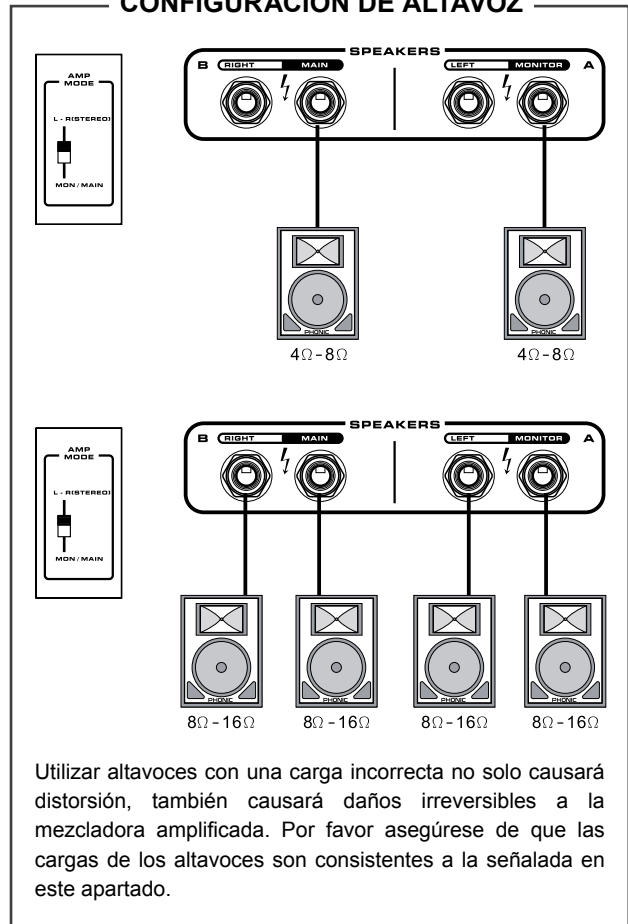
12. Salidas de Altavoz

Estos jacks son utilizados para conectar los altavoces, se alimentan del amplificador de potencia interno. Todos los modelos tienen Jacks de Audífono 1/4". El selector de amplificación determina la operación de estos jacks. Si el selector de amplificación está en "Main L-R (Estéreo)" o "Main / Mini" un solo altavoz con carga de 4 a 8 ohms puede ser conectado a jack A a ambas Salidas de Altavoz izquierda y derecha. Usted también puede conectar dos altavoces con impedancia entre 8 y 16 ohms a ambos jacks A y B de las Salidas de Altavoz izquierda y derecha.

NOTA. Debido al hecho de que la señal ha sido procesada por el amplificador de potencia, estos puertos deberán de utilizarse en conjunto con los altavoces pasivos solo para evitar dañar cualquier otro equipo.



CONFIGURACIÓN DE ALTAVOZ



CONTROLES Y SETEOS

Panel de Posterior

13. Botón de Energía y Conector de AC

El botón de energía, localizado en la parte posterior de la mezcladora, es utilizado para activar la mezcladora. Por supuesto no tiene caso activarlo si la unidad no está conectada a la alimentación, por lo tanto un conector de AC ha sido incluido para asegurar que su mezcladora obtenga la energía que se necesita. Por favor utilice únicamente el cable de AC incluido con esta mezcladora.

NOTA. Antes de conectar el cable de AC a la Mezcladora Powerpod, por favor asegúrese de que el voltaje local es idéntico al elegido por el Selector de Voltaje.

14. Selector de Voltaje

Este interruptor permite a los usuarios seleccionar de dos modos de energía principales, 115VAC / 60 Hz (Le permite utilizar el dispositivo en países con voltajes entre 100V y 120V) o 230 VAC / 50 Hz (Le permite utilizar el dispositivo en países con voltajes entre 220V y 240V). Para cambiar el Selector de Voltaje, necesita primero destornillar y remover la cubierta plástica que protege el interruptor. Después de cambiar el voltaje, por favor substituya la cubierta plástica para asegurarse que el nivel de voltaje no está alterado inadvertidamente.

NOTA. Utilizar voltajes incorrectos puede causar daños irreversibles a la mezcladora. Se deberá de tener todos los cuidados para que los voltajes sean adecuados. Si no está seguro de los niveles de voltaje local, contactese con una fuente conocida antes de usar esta mezcladora.

Controles de Canal

15. Control HF (Frecuencias Altas)

Este control es utilizado para dar un realce tipo Shelving o un recorte de ± 15 dB a los sonidos de la frecuencias alta (12 kHz). Esto ajustará la cantidad de agudos incluidos en el audio del canal, agregando fortaleza y claridad a los sonidos tales como de las guitarras, metales, sintetizadores y Michael Jackson.

16. Control MID

Este control es para proveer un realce estilo peak y recorte del nivel a los sonidos de frecuencia media, en una gama de ± 15 dB. Cambiar las frecuencias medias de un audio puede ser difícil cuando se utiliza en una mezcla de audio profesional ya que es más deseable cortar los sonidos de la frecuencia media en lugar de realzarlos, calmando excesivamente voz áspera y sonidos de instrumento en el audio.

17. Control LOW (Frecuencia Grave)

Este control es utilizado para dar un realce tipo Shelving o un recorte de ± 15 dB a los sonidos de frecuencia baja (80 Hz). Esto ajustará la cantidad de graves incluidos en el audio del canal y, dará más calidez y fuerza a las baterías, guitarras bass e Issac Hayes.

18. Control de Nivel de MON (Monitor)

Este control altera el nivel de señal que es enviado a buses de mezcla de Monitor, cuya señal es apta para conectar monitores de escenario, permitiendo a los artistas escuchar la música que se está ejecutando.

19. Control de Nivel de EFX (Efecto)

Este control altera el nivel de la señal que es enviada a la salida de EFX, que puede ser utilizada junto con procesadores de señal externos (esta señal puede ser retornada a la mezcladora vía las entradas de retorno estéreo), o simplemente como salidas auxiliares adicionales como se requieran. Estos controles también ajustan el nivel del audio que es enviado al panel de efecto digital integrado.

20. PAN / BAL

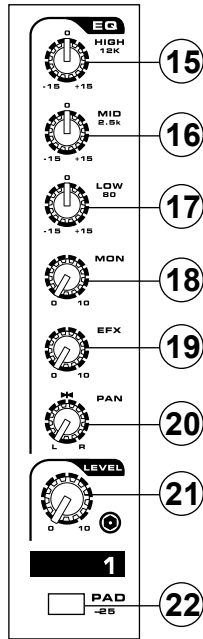
Altera el grado o nivel del audio que los lados izquierdo y derecho de la mezcla principal debería de recibir. En los canales mono, este control ajustará el nivel que los lados izquierdo y derecho debería de recibir; mientras que en un canal estéreo, ajustando el control BAL atenuará las sañales de audio de lado izquierdo o derecho.

21. Control de Nivel de Canal

Este control alterará el nivel de la señal que es enviada desde el canal correspondiente al bus de mezcla principal.

22. Botón PAD -25

El botón PAD -25, localizado arriba del jack de audífono de 1/4" de los canales mono, es utilizado para atenuar la señal de entrada en 25dB. Esto solo deberá activarse cuando se utilizan dispositivos de entrada de nivel de línea.



Procesador de Efecto Digital

23. Botón de Encendido de Efectos e Indicador

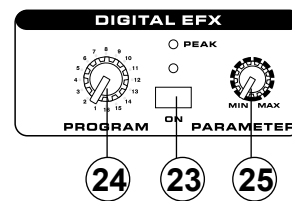
Presionando este botón encenderá y apagará el procesador de efecto integrado. Cuando el procesador de efecto está activado, el LED correspondiente se iluminará para indicarlo.

24. Control de Programa

Este control permitirá a los usuarios a seleccionar uno de los 16 efectos digitales integrados de la mezcladora amplificada Powerpod. Los nombres de efecto que corresponden con los números se pueden encontrar en la parte superior de la cara frontal de la mezcladora, o en la tabla de efecto digital.

25. Control de Parámetro

Girando este control ajustará el parámetro principal de efecto seleccionado. Cada parámetro de efeco puede ser encontrado en la tabla de efecto digital.



Sección Master

26. Control de EFX a Monitor

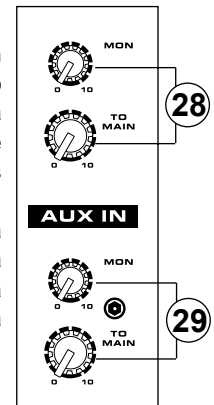
Controla el nivel de la señal procesada por el procesador de efectos integrado, esta es enviada al bus de mezcla de monitor.

27. Control de EFX a Main

Controla el nivel de la señal procesada por el procesador de efectos integrado, esta es enviada al bus de mezcla Main L/R.

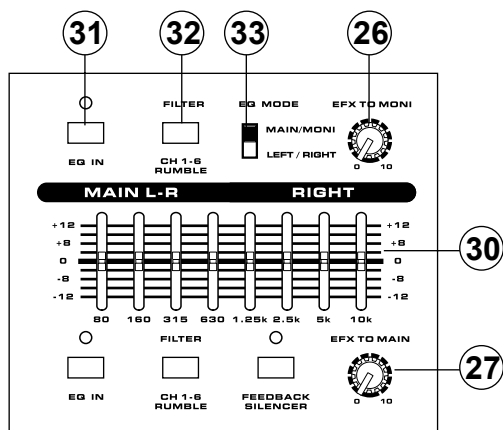
28. Controles de Entrada AUX

Las Powerpods 620, 740 y 780 presentan un control de entrada AUX solo (localizado debajo de Ecuador Principal) que ajusta el nivel final de la entrada de AUX in que es enviada a bus de mezcla principal. Las Powerpod 1062 y 1082, por otro lado, presentan 2 Controles de AUX in. Uno ajusta el nivel final que es enviado a bus de mezcla Monitor (el control de arriba), el otro controla el nivel final que es enviado a bus de mezcla Main L-R (el control de abajo).



29. Entrada de Tape

La Powerpod 620 tiene un control simple de entrada de Tape (localizado por debajo del ecualizador) que ajusta el nivel final de la entrada AUX in que es enviada al bus de mezcla principal. Las Powerpods 740, 1062 y 1082, por otro lado, tienen 2 controles de entrada de Tape. Uno ajusta el nivel final que es enviado al bus de mezcla de monitor (el control superior) y, el otro controla el nivel final enviado al bus de mezcla principal (el control inferior).



30. Ecuiladores Gráficos

Estos ecualizadores gráficos le permiten ajustar la respuesta en frecuencia de la señal, con un máximo de ± 12 dB de realce o corte de señal para cada una de las frecuencias. Las Powerpod 740, 780, 1062 y 1082 todas tienen 1 ecualizador gráfico 10-bandas, El ecualizador superior es para la alteración de la señal de Monitor (cuando el interruptor EQ está en la posición apropiada se convierte en Main Left EQ mientras que el ecualizador inferior es para la señal Main L-R o señal Main Right.

31. EQ IN e Indicador

Este botón activará el ecualizador gráfico. El indicador LED correspondiente se iluminará cuando el EQ está activado.

32. Filtro de Ruido (Powerpod 1082 solamente)

Este botón activa un filtro de ruido en los canales 1 a 6 para ayudar a remover los sonidos de frecuencia baja que afecta las señales de entrada.

33. Selector de EQ

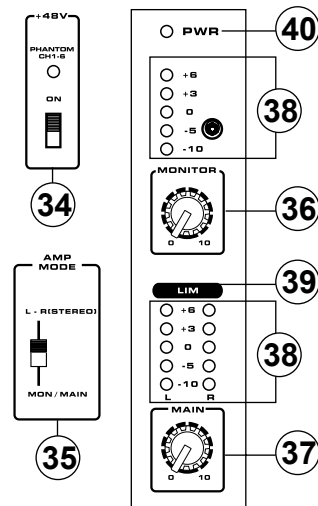
Este interruptor le permite seleccionar la manera en cómo utilizar el par de ecualizadores en estos modelos. Cuando el selector está en la posición superior le permitirá utilizar el ecualizador superior para la señal de Monitor y, el ecualizador inferior para la señal Main L/R; la posición inferior permite a los ecualizadores ser utilizados para las señales Main Left y Right.

34. Interruptor de Fuente Fantasma e Indicador

Cuando este interruptor está en la posición de encendido se activa la alimentación fantasma de +48 V para la entrada XLR en el canal 1 a 6 en las mezcladoras Powerpod, permitiendo que los micrófonos de condensador ser utilizado en estos canales. El LED correspondiente se iluminará cuando la alimentación fantasma principal es activada.

35. Selectores de Amplificador (Amp)

Estos interruptores controlan la actividad del amplificador de potencia integrado, permitiendo al usuario alternar entre las diferentes señales que pueden ser procesadas por el amplificador de potencia integrado y ruteadas a las salidas de altavoz en la parte posterior del dispositivo. Este selector le permite seleccionar de: Main/Monitor- tomando las señales monitor y main y las direcciona a las salidas del altavoz apropiadas - Main L / Main R - utilizando la señal Main L/R para alimentar las salidas de altavoz



36. Control de Nivel de Monitor

Este control giratorio permite al usuario ajustar el nivel de la señal final enviada a todas las salidas de Monitor.

37. Control de Nivel Principal

Este control giratorio permite al usuario ajustar el nivel de la señal final enviada a las salidas de Altavoz y Main L-R.

38. Medidor de Nivel

Estos medidores de nivel ofrecen indicaciones precisas de cuando los niveles de audio de Main L/R estéreo (o Main mono) y las salidas de Monitor alcanzan ciertos niveles. El indicador de 0 dB se ilumina a un nivel aproximado de +4 dBu. Se sugiere que para uso máximo de audio se debe setear los diferentes controles de niveles de tal manera que estén firmemente entre 0 y el segundo nivel más alto indicado en el Medidor de Nivel para obtener lo mejor del audio y seguir manteniendo fantástica claridad.

39. Lmitadores

Estos indicadores LED se iluminaran cuando los limitadores integrados del amplificador de potencia son activados, estos reducen efectivamente los niveles de la señal cuando alcanzan a niveles altos que pueden ocasionar distorsiones en la calidad de sonido.

40. Indicador de Energía

Este indicador LED se iluminará cuando se enciende la Mezcladora Powerpod.

Español



“R” Grabación

Esta sección es para usuarios con una versión de la Powerpod “R” o “FR”. En estos modelos, los usuarios encontrarán un puerto USB acompañado por una pantalla LCD y cuatro botones de función. Por favor, consulte el manual de instrucciones a continuación:

Reproducción:

El reproductor es compatible con USB WAV, WMA, MP3 y reproducción a través de USB.

1. Encienda el dispositivo.
2. Inserte un formato adecuado (FAT32) unidad flash USB.
3. En el menú principal, seleccione “Reproducir” y pulse el botón PLAY.
4. Pulse el botón de PLAY para reproducir la pista actual, o los botones << y >> para saltar hacia adelante y hacia atrás entre las pistas.
5. Pulse el botón MENU en el modo de reproducción para acceder al explorador de archivos, eliminar archivos, Modo de repetición y las funciones de control de volumen.
6. Mantenga pulsado el botón MENU durante tres segundos para salir del modo de reproducción y volver al menú principal.

Archivos- Libremente navegar por las canciones en cada archivo en el disco USB flash con los botones <<y>>. Presione el botón PLAY para seleccionar, pulse el botón MENU para volver atrás.

Modo de repetición- Hay 4 modos de repetición disponibles.

No se repiten/No repeat- Juega cada pista en el archivo actual, por una vez.

Repetir una/Repeat one- Constantemente repetir la canción seleccionada.

Repetir Archivo/Repeat Folder- Constantemente repetir toda la canción en el archivo determinado.

Aleatorio/ Random- Permita la reproducción aleatoria de los archivos de la carpeta actual o de la raíz.

Registro:

Los usuarios pueden grabar a alta definición en formato WAV.

1. Encienda el dispositivo.
2. Inserte un formato adecuado (FAT32) unidad flash USB.
3. En el menú principal, seleccione “Grabar” y pulse el botón PLAY para entrar en el modo de grabación.
4. Seleccione entre los modos de grabación 128 kbit / s y 192 kbit / s WAV y pulse el botón PLAY.
5. El modo de grabación se iniciará en modo de espera / pausa. Pulse el botón de reproducción / pausa para iniciar la grabación. La unidad guarda el archivo grabado en el directorio de registros en el dispositivo USB.
6. Pulse el botón Play / Pause para pausar la grabación. Al pulsar el botón Reproducir / Pausa volverá a reanudar la grabación desde la posición en la que se detuvo.
7. Pulse el botón MENU en cualquier momento para guardar la grabación. Una vez que la grabación se guarda, el sistema automáticamente se saltará a la pista siguiente.
8. Para salir del modo de reproducción y volver al menú principal, presione y mantenga el botón MENU durante tres segundos.

NOTA:

1. El control USB giratorio ajustará el nivel de reproducción solamente y no afectará los niveles de grabado. Solamente los controles de nivel afectarán el nivel de grabado se encuentran en los canales de entrada individuales.
2. Los usuarios pueden experimentar interrupciones muy cortas durante la reproducción de archivos WAV grabados.

ESPECIFICACIONES

	1062 PLUS / R	1082 PLUS / R
Número de Canales de Energía	2	2
Limitador	2	2
8 ohms por Canal	400	540
4 ohms por Canal	600	800
Crosstalk (1KHz@0dBu, 20Hz a 20KHz ancho de banda, entrada de canal a salidas main L/R)		
Canal mute, otros canales en unidad	<-64dB	<-64dB
Respuesta en Frecuencia en carga de impedancia apropiada	+0/-2dB	+0/-2dB
Ruido: 20Hz a 20KHz ancho de banda, IHF-A ponderado, entradas de línea a salidas main L/R, todos los canales asignados, paneados L/R		
Salida master, todo fader bajo	<-78dBu	<-78dBu
Salida de amp de potencia, todo fader bajo	<-63dBu	<-63dBu
THD		
Salida de energía, 1KHz, 20Hz a 20KHz	@100 watts, 4 ohms <0.5%	@100 watts, 4 ohms <0.5%
Cualquier salida, 1KHz @ +14dBu, 20Hz a 20KHz, entradas de canal	<0.3%	<0.3%
Entradas / Salidas		
Canales Lo-Z / Hi-Z	8, 2 con super Hi-Z (470K ohms)	8, 2 con super Hi-Z (470K ohms)
Canales de Mic Balanceado/ Línea Estéreo	2	2
Entrada 2T	RCA	RCA
Retornos Aux	2 x 1/4" TRS, Bal.	2 x 1/4" TRS, Bal.
Main L/R Estéreo	2 x 1/4" TRS, Desbal.	2 x 1/4" TRS, Desbal.
Envío Monitor	1 x 1/4" TRS, Desbal.	1 x 1/4" TRS, Desbal.
Envío Aux / Efx	1 x 1/4" TRS, Desbal.	1 x 1/4" TRS, Desbal.
Audífonos	TRS	TRS
Salida de Grabación	RCA	RCA
Salidas de Altavoz	4 x 1/4" TRS	4 x 1/4" TRS
Sección Master		
Monitor & AUX / EFX Envío Masters	2	2
Retornos Estéreo Aux	1	1
Retorno Efectos a Monitor	Sí	Sí
Control de Nivel de Audífonos	Sí	Sí
Faders	Moni, Main L/R (Giratorio)	Moni, Main L/R (Giratorio)
Alimentación de Fuente Fantasma	+48VDC	+48VDC
Procesador de Efecto Digital Integrado	16 programas más un control de parámetro principal	16 programas más un control de parámetro principal
Interruptor de Pedal	Efecto digital mute: ENCENDIDO/APAGADO	Efecto digital mute: ENCENDIDO/APAGADO
EQ Gráfico Integrado	2 x 7-bandas	2 x 7-bandas
CMRR (1 KHz @ -60dBu, Ganancia a máximo)	80dB	80dB
Ecuilización de Canal	3-bandas, ±15dB	3-bandas, ±15dB
EQ Bajo	80Hz	80Hz
Segundo EQ Medio(Canal Estéreo)	2.5KHz	2.5KHz
EQ Alto	12KHz	12KHz
Requisito de Energía (depende de la región)	100-120VAC, 220-240VAC, 50/60 Hz	100-120VAC, 220-240VAC, 50/60 Hz
Dimensiones (AnxAlxP)	471x285x275 mm (18.54"x11.2"x10.8")	471x285x275 mm (18.54"x11.2"x10.8")
Peso	17.8 kg (39.2 lbs)	18.14 kg (40 lbs)

SERVICIO Y REPARACIÓN

Para refacciones de reemplazo y reparaciones, por favor póngase en contacto con nuestro distribuidor de Phonic en su país. Phonic no distribuye manuales de servicio directamente a los consumidores y, avisa a los usuarios que no intenten hacer cualquier reparación por si mismo, haciendo ésto invalidará todas las garantías del equipo. Puede encontrar un distribuidor cerca de usted en <http://www.phonic.com/where/>.

INFORMACIÓN DE LA GARANTIA

Phonic respalda cada producto que hacemos con una garantía sin enredo. La cobertura de garantía podría ser ampliada dependiendo de su región. Phonic Corporation garantiza este producto por un mínimo de un año desde la fecha original de su compra, contra defectos en materiales y mano de obra bajo el uso que se instruya en el manual del usuario. Phonic, a su propia opinión, reparará o cambiará la unidad defectuosa que se encuentra dentro de esta garantía. Por favor, guarde los recibos de venta con la fecha de compra como evidencia de la fecha de compra. Va a necesitar este comprobante para cualquier servicio de garantía. No se aceptarán reparaciones o devoluciones sin un número RMA apropiado (return merchandise authorization). En orden de tener esta garantía válida, el producto deberá de haber sido manejado y utilizado como se describe en las instrucciones que acompañan esta garantía. Cualquier atentado hacia el producto o cualquier intento de repararlo por usted mismo, cancelará completamente esta garantía. Esta garantía no cubre daños ocasionados por accidentes, mal uso, abuso o negligencia. Esta garantía es válida solamente si el producto fue comprado nuevo de un representante/distribuidor autorizado de Phonic. Para la información completa acerca de la política de garantía, por favor visite <http://www.phonic.com/warranty/>.

SERVICIO AL CLIENTE Y SOPORTE TÉCNICO

Le invitamos a que visite nuestro sistema de ayuda en línea en www.phonic.com/support/. Ahí podrá encontrar respuestas a las preguntas más frecuentes, consejos técnicos, descarga de drivers, instrucciones de devolución de equipos y más información de mucho interés. Nosotros haremos todo el esfuerzo para contestar sus preguntas lo antes posible.

support@phonic.com
<http://www.phonic.com>

PHONIC

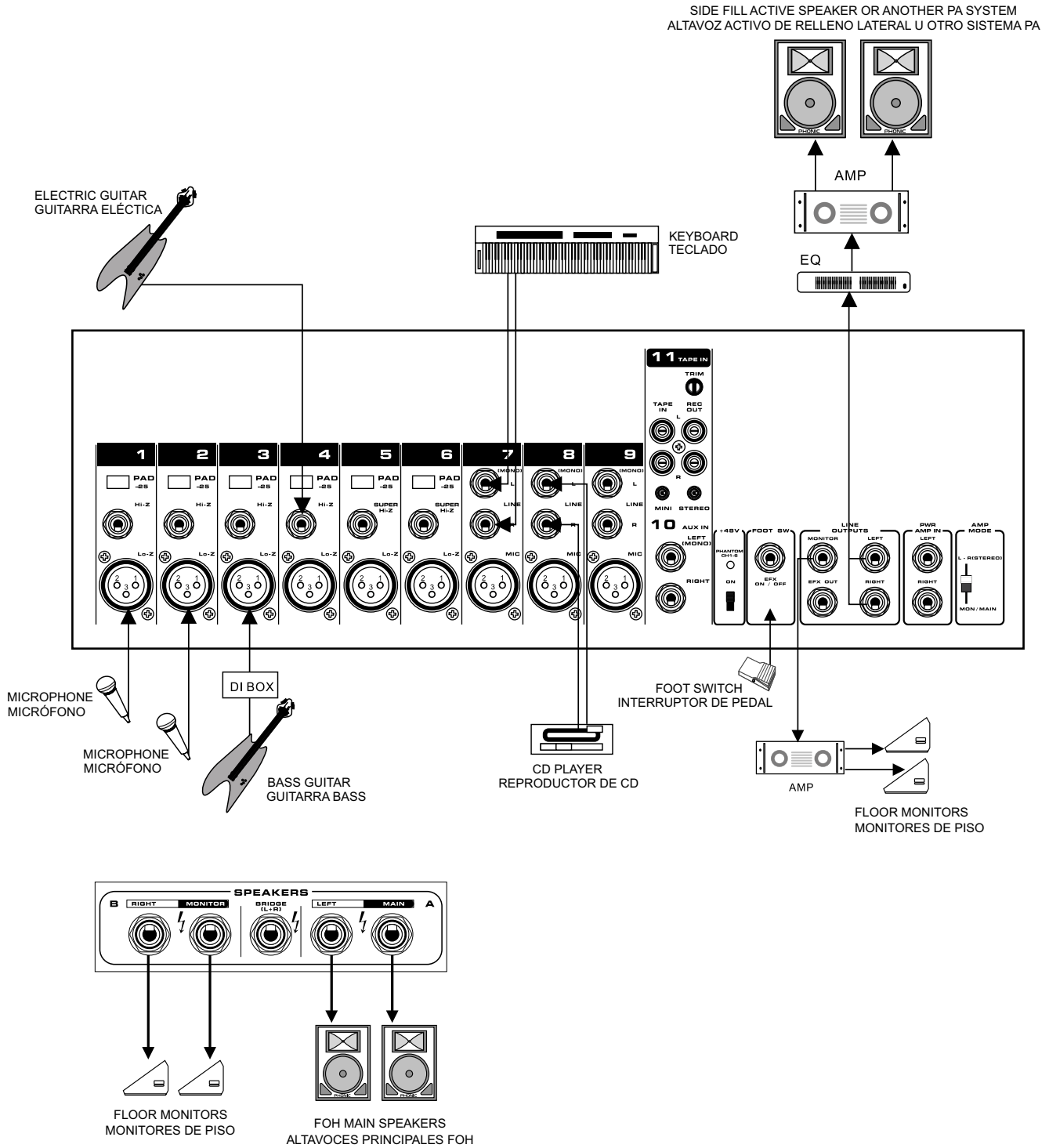
**DIGITAL EFFECTS TABLE
TABLA DE EFECTOS DIGITALES**

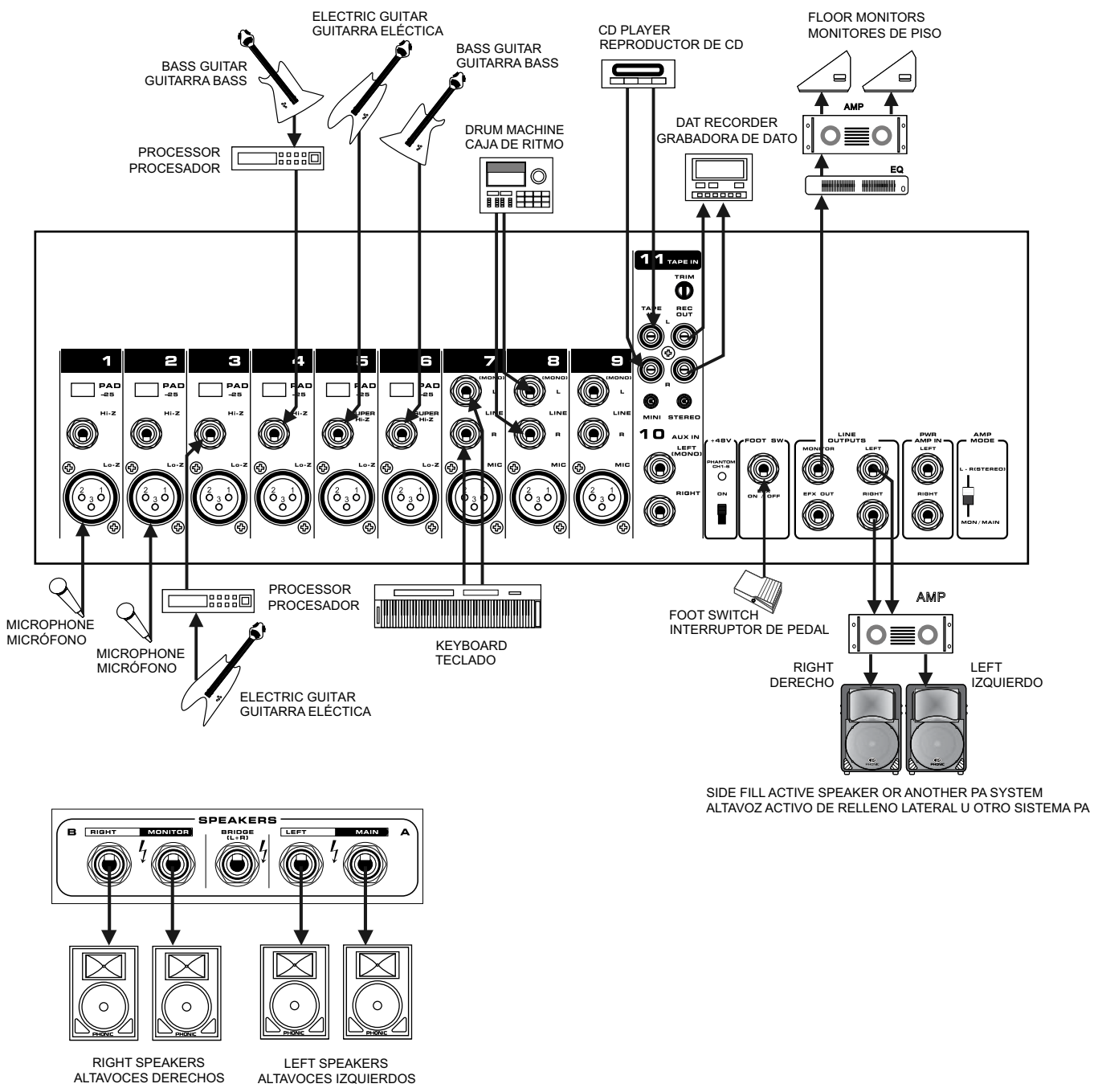
	Program	Parameter	Variable Range
1	Hall	Reverb Time	0.3 - 10 sec
2	Room	Reverb Time	0.3 - 3.2 sec
3	Plate	Reverb Time	0.3 - 10 sec
4	Cathedral	Reverb Time	0.3 - 10 sec
5	Arena	Reverb Time	0.3 - 10 sec
6	Spring	Reverb Time	0.3 - 10 sec
7	Opera	Reverb Time	0.3 - 10 sec
8	Rev Vocal	Reverb Time	0.3 - 10 sec
9	Slap Delay	Delay Time	0 - 800 ms
10	Echo	Delay Time	0 - 800 ms
11	Multi-Pong	Delay Time	0 - 800 ms
12	Karaoke	Delay Time & Feedback	Delay Time: 160 - 260 ms; Feedback: 45-65
13	Chorus + Rev	Depth	0 - 100%
14	Flange + Rev	Modulation Frequency	0.05 - 4.00 Hz
15	Phaser + Rev	Modulation Frequency	0.05 - 4.00 Hz
16	Tap Delay	Feedback Gain	0 - 99%

APPLICATIONS APLICAÇÕES

Appendix

Apêndice

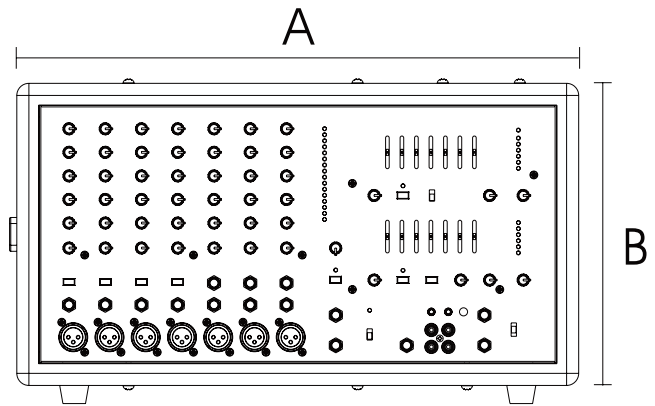
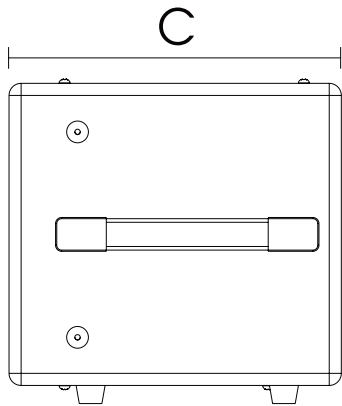




DIMENSIONS DIMENSIONES

Appendix

Apéndice



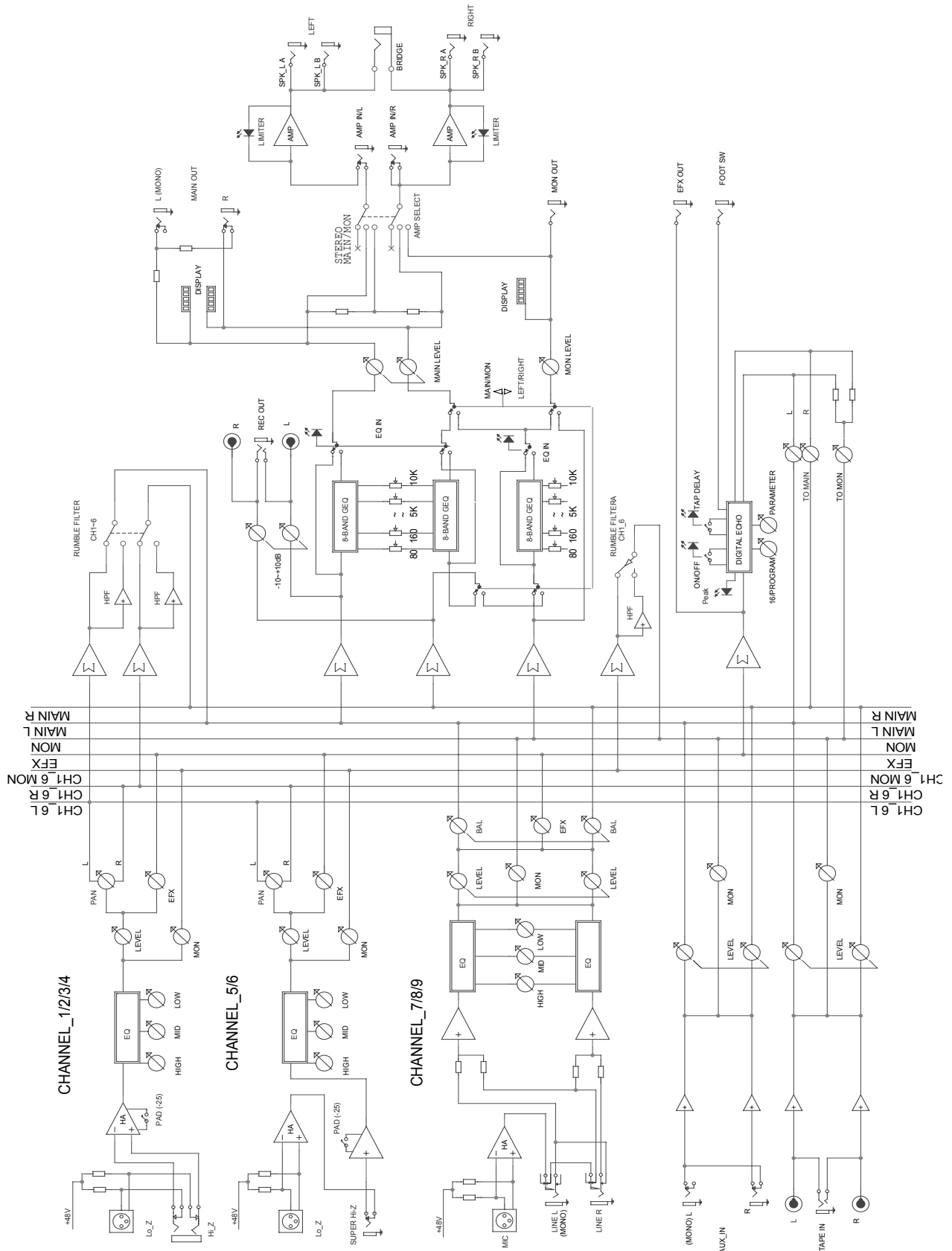
	POWERPOD 1062 Plus / FR / R	POWERPOD 1082 Plus / R
A	471 mm (18.5")	471 mm (18.5")
B	285 mm (11.2")	285 mm (11.2")
C	275 mm (10.8")	275 mm (10.8")

* All measurements are shown in mm/inches.

* Todas las medidas están mostradas en mm/pulgadas.

BLOCK DIAGRAMS DIAGRAMAS DE BLOQUE

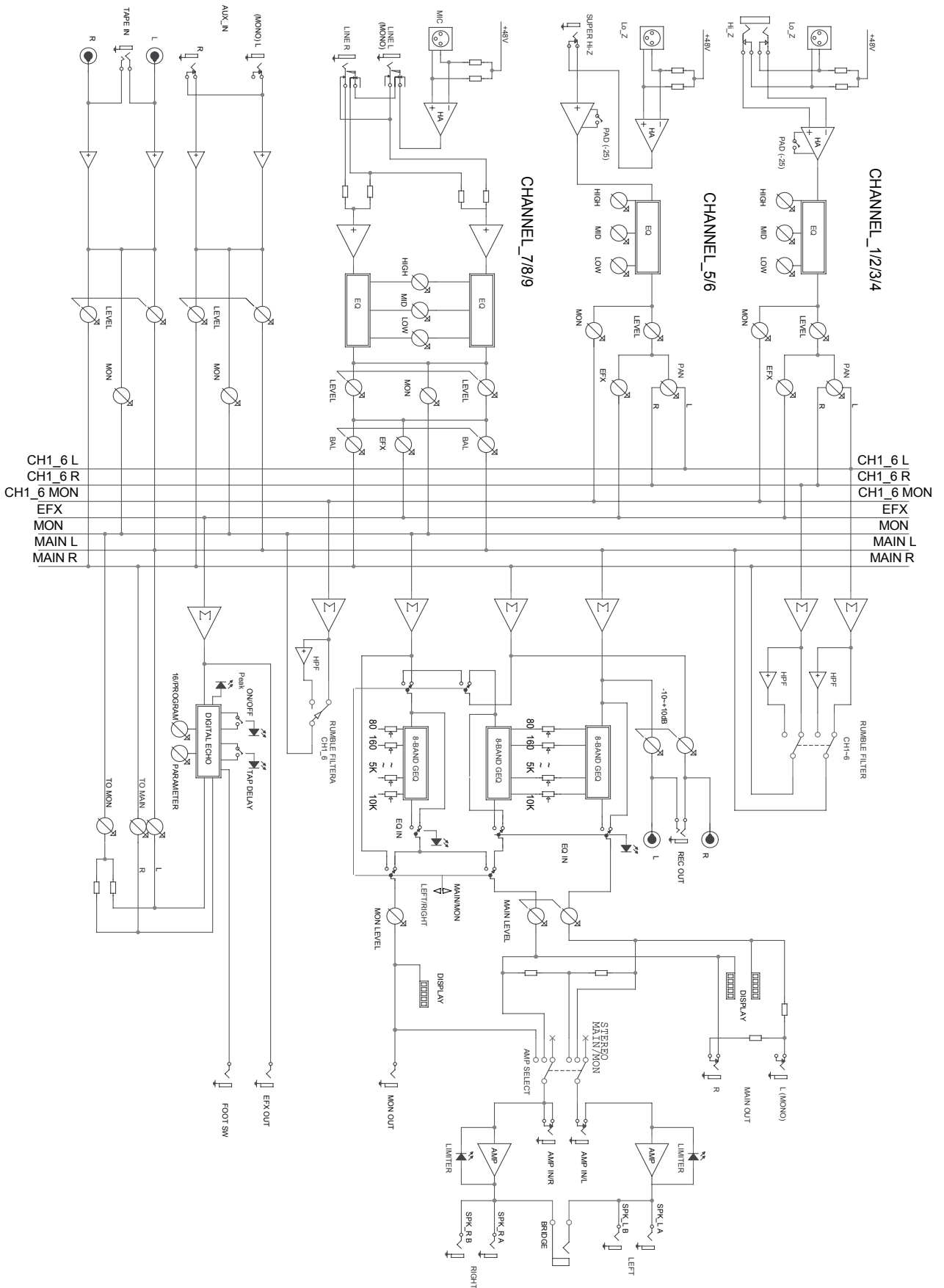
Powerpod 1062 Plus



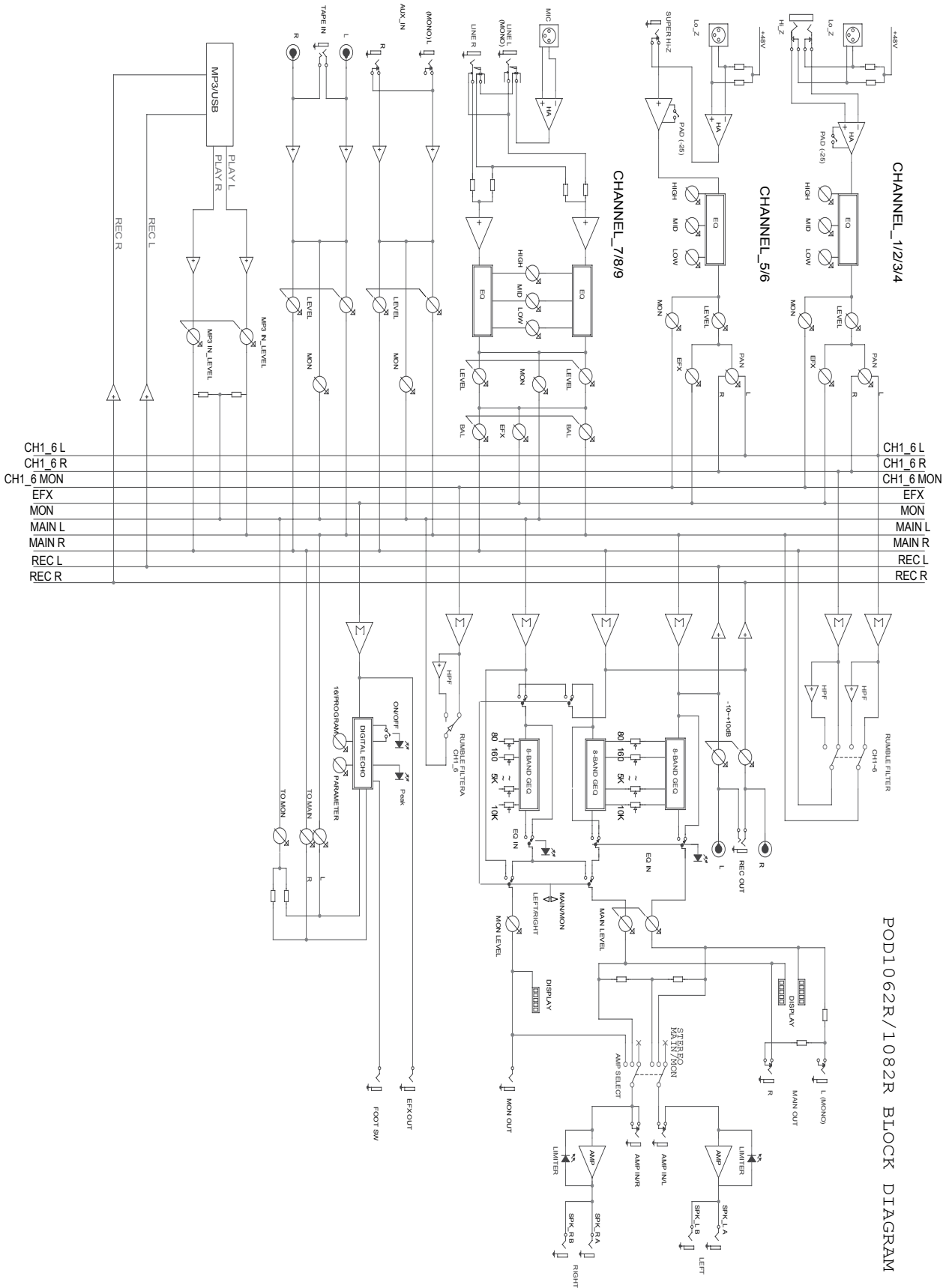
Powerpod 1082 Plus

Appendix

Apéndice



Powerpod 1062 / 1082 R



POD1062R/1082R BLOCK DIAGRAM

PHONIC
WWW.PHONIC.COM