

TG I55c helix

Condenser Microphone



FEATURES

- High performance miniature condenser microphone (omnidirectional)
- Versatile possibilities to attach the helix holder
- Natural reproduction
- Absolute studio quality
- Unobtrusive design
- Light weight, the balance of the instrument is maintained
- 4-pin female mini XLR connector

APPLICATIONS

The versatile TG I55c helix condenser microphone really demonstrates its strengths when used in combination with the violin, viola, recorder, dulcimer, fretted stringed instruments or zither, cello, double bass and many other instruments. It delivers extremely natural, true sound reproduction without colouration due to the missing of the proximity effect. The omni-directional polar pattern ensures even sound – regardless of how the capsule is positioned. A further advantage is the unique, innovate clamp that enables quick and easy mounting – without drilling holes and without scratching the instrument.

VERSION

TG I55c helix Instrument microphone, electret condenser, omnidirectional, with 4-pin mini XLR plug, incl. helix clip Order # 707.163

TECHNICAL SPECIFICATIONS

Transducer type Condenser (electret)
Operating principle Pressure
Polar pattern Omnidirectional
Frequency response 20 - 20,000 Hz
Open circuit voltage 10 mV/Pa (-40 dBV) ± 3 dB*
Nominal impedance 1 k Ω
Max. SPL 118 dB SPL*
S/N ratio 52 dB [CCIR, Q-Peak]*
Equivalent SPL 33 dB [A, RMS]*
Supply voltage 1.5 to 9 V
Dimensions
Head diameter 5.2 mm
Length 12.7 mm
Cable length 1.2 m
Weight 9 g

*measured with CV 18

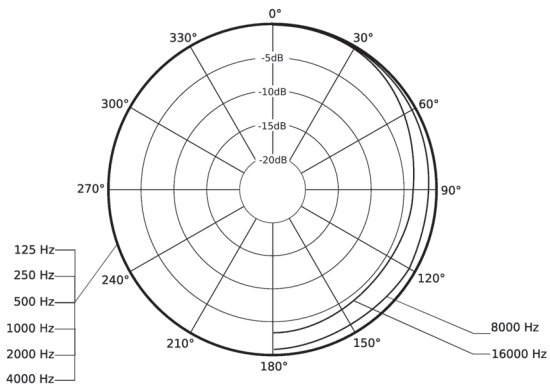
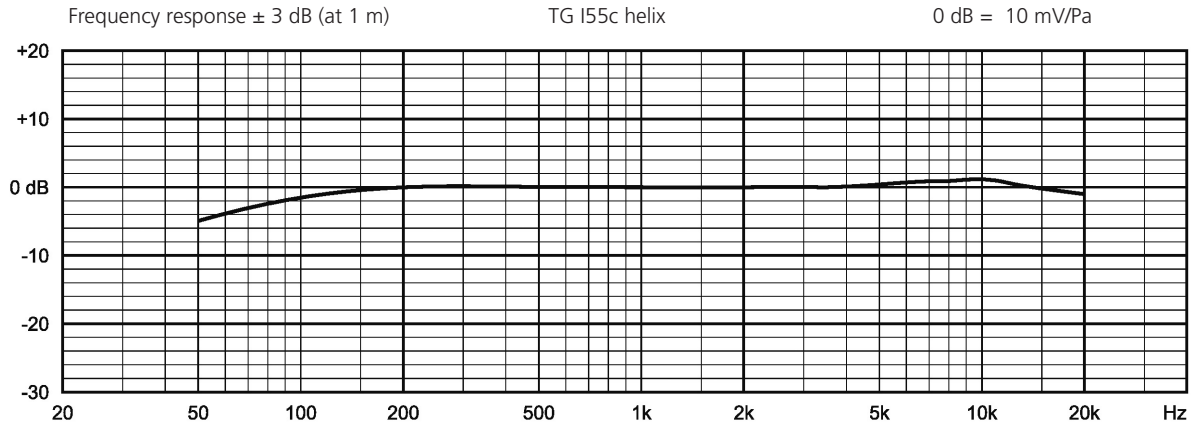
OPTIONAL ACCESSORIES

CV 18 Phantom power adapter to connect to phantom-powered microphone input . . . Order # 475.378
Mix 31 Miniature mixer Order # 481.866
WS 55 SW Wind shield, black Order # 904.236

TG I55c Helix

FREQUENCY RESPONSE & POLAR PATTERN

This polar pattern and frequency response curve (measuring distance ± 3 dB) correspond to a typical production sample for this microphone.



WIRING DIAGRAM

