



Darkglass Electronics

Your vision, our gear.

TONE CAPSULE

take the capsule, feel the groove

WIRING DIAGRAMS

FOLLOW US





Darkglass Electronics

Your vision, our gear.

TONE CAPSULE

take the capsule, feel the groove

The **Tone Capsule** is a new, unusual take on onboard preamplifiers. It's designed to respect your instrument's natural character while expanding exponentially the tonal possibilities. Take the pill and discover a whole new universe of sonic possibilities

DISCLAIMER

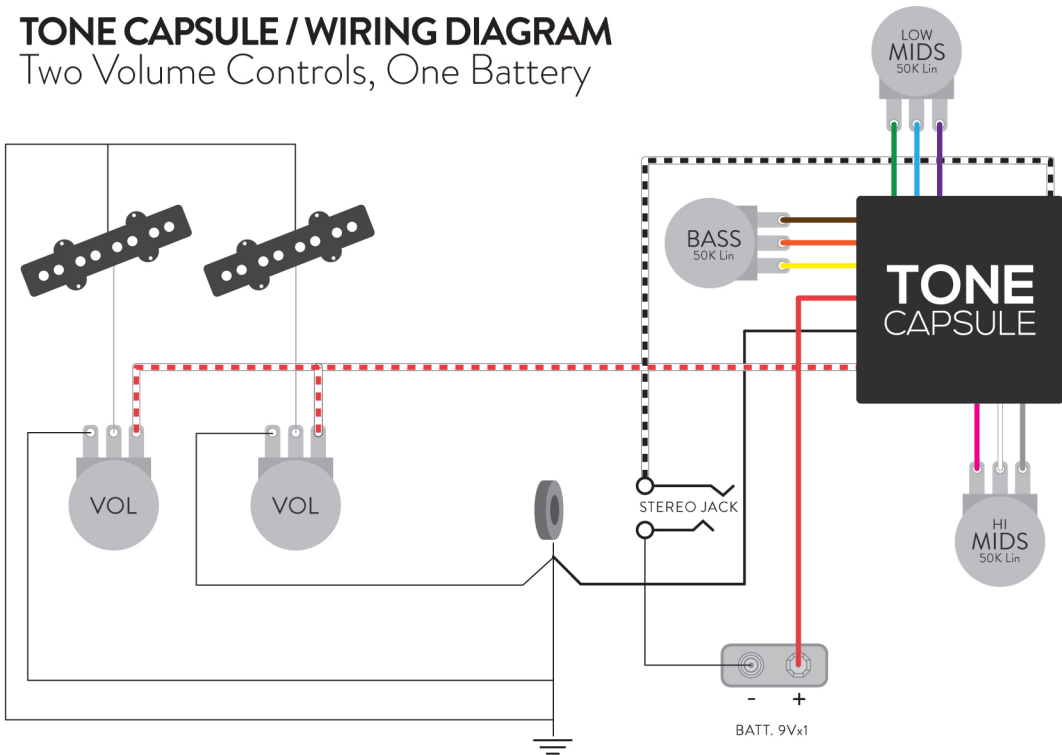
To ensure optimal performance in case of installing new pickups along with the preamp, please refer to their user manual for optimal Blend/Volume(s) potentiometer(s) value.

In the interest of continuous improvement, specifications are subject to change without notice. If you have any questions, please don't hesitate to contact us at www.darkglass.com

The manufacturer claims that the above product fulfills the requirements as set by EN55013, EN55020, EN60555-2, EN60555-3, RoHS, WEEE.

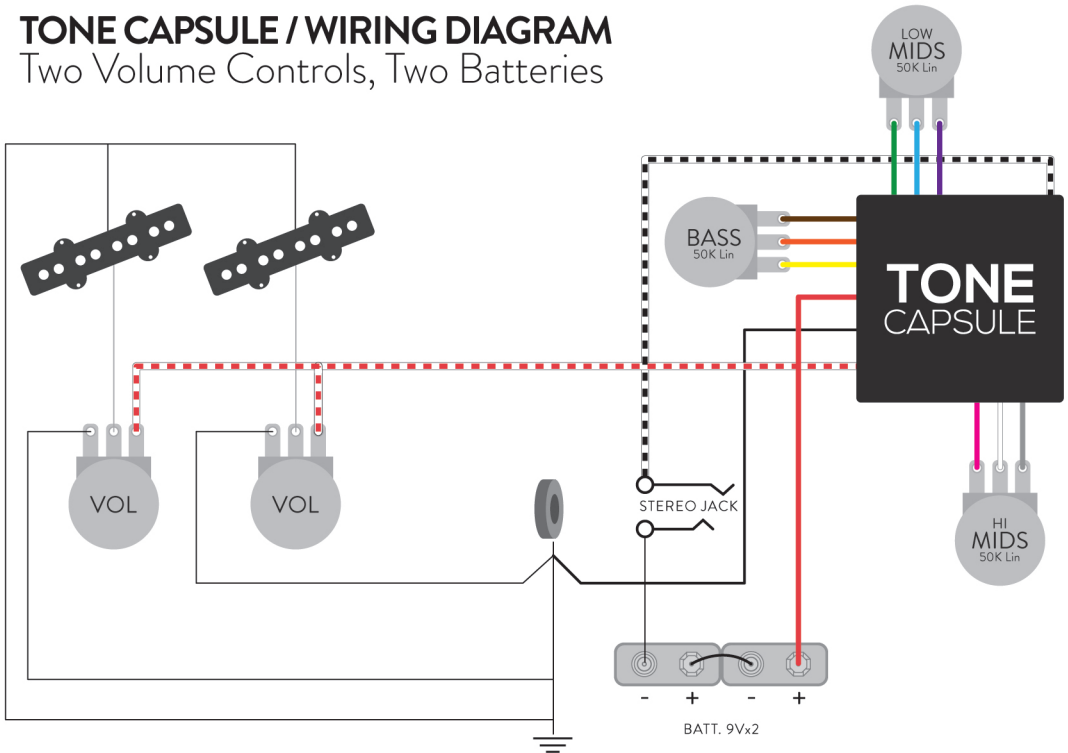
TONE CAPSULE / WIRING DIAGRAM

Two Volume Controls, One Battery



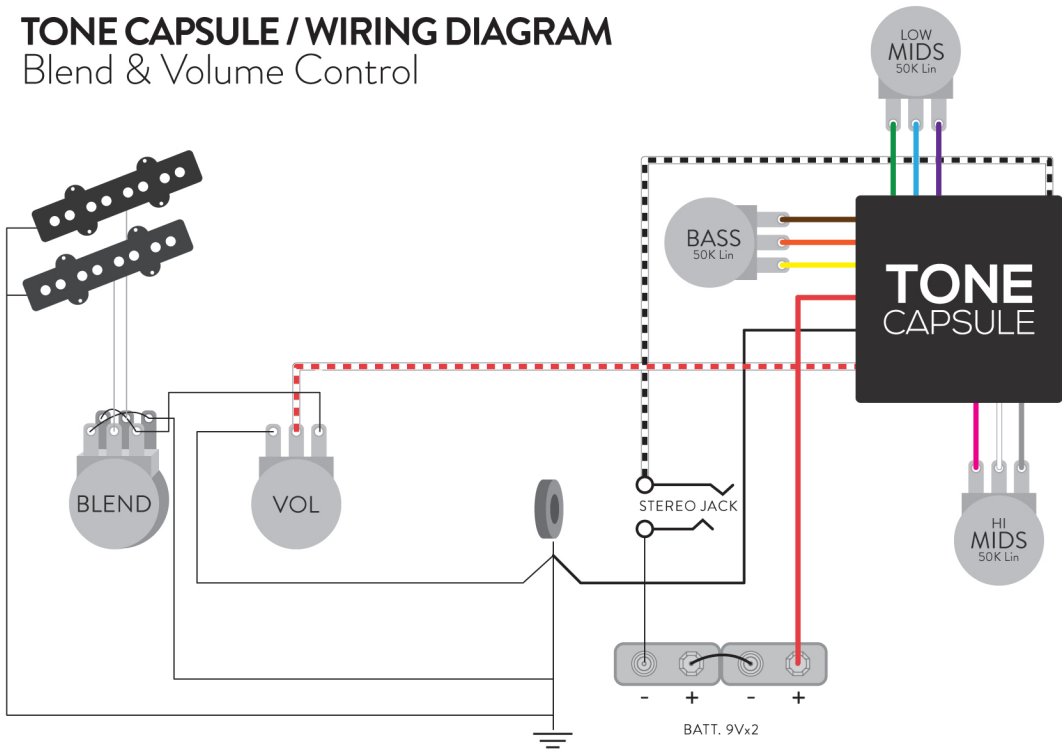
TONE CAPSULE / WIRING DIAGRAM

Two Volume Controls, Two Batteries



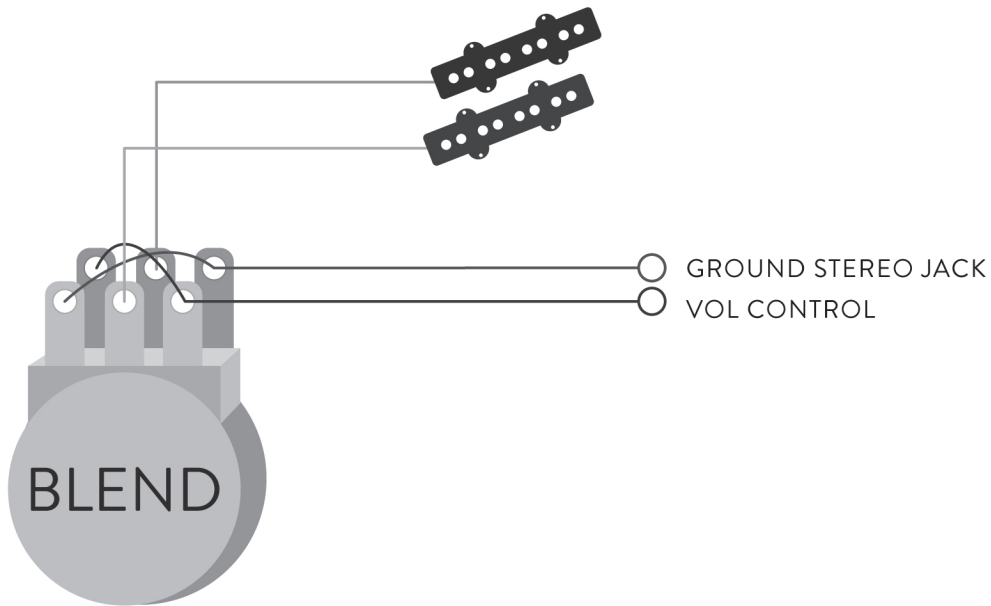
TONE CAPSULE / WIRING DIAGRAM

Blend & Volume Control



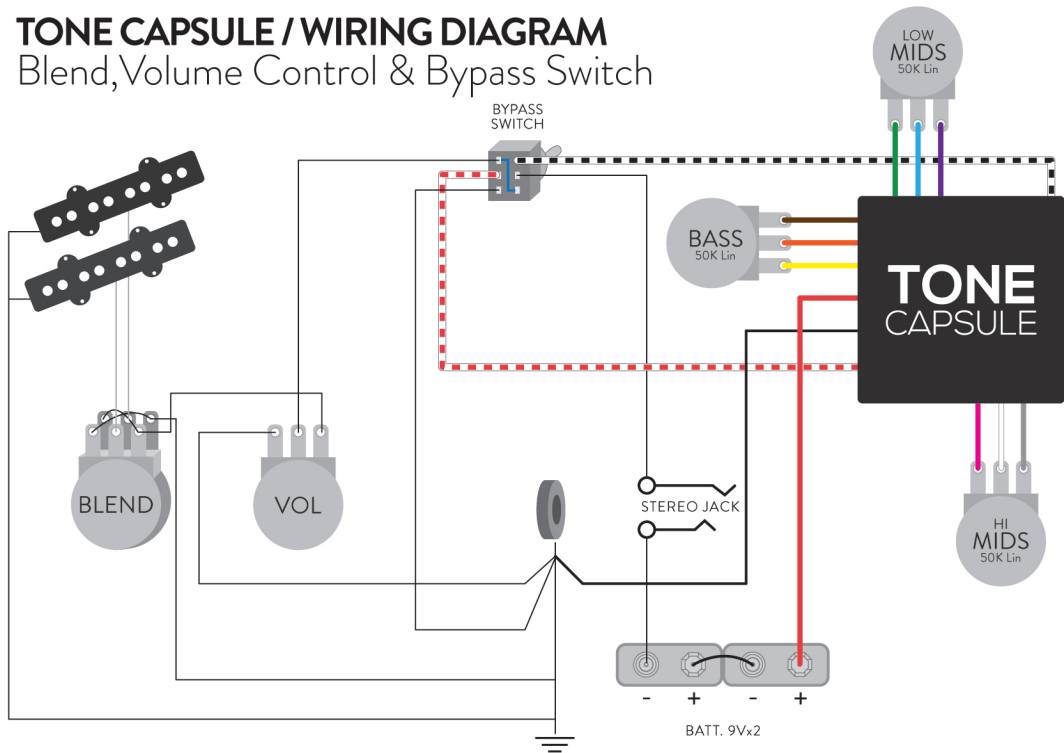
tone capsule / wiring diagram

Blend Pot Close-up



tone capsule / wiring diagram

Blend, Volume Control & Bypass Switch



tone capsule / wiring diagram

Two Volume Controls & Bypass Switch

