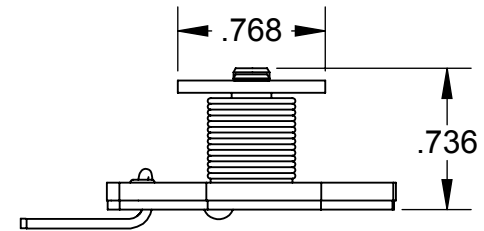
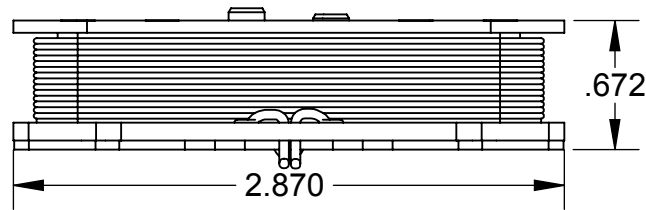
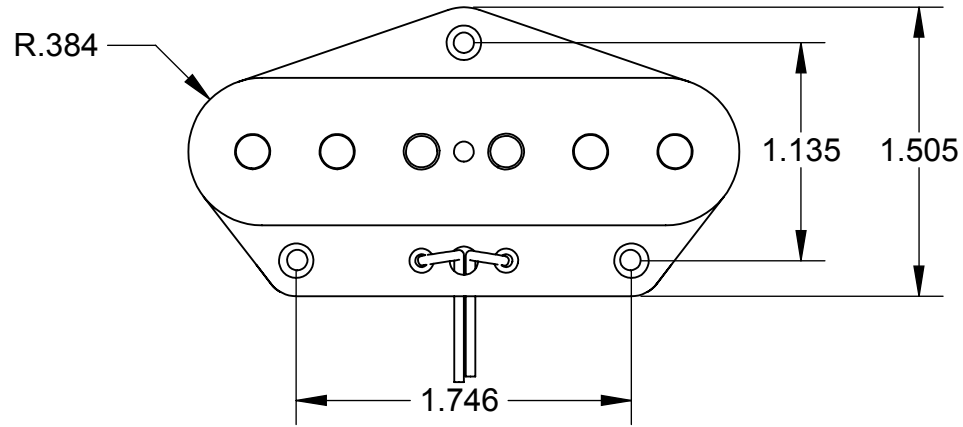


THE INFORMATION CONTAINED IN THIS DRAWING IS THE SOLE PROPERTY OF SEYMOUR DUNCAN RESEARCH. ANY REPRODUCTION IN PART OR WHOLE WITHOUT THE WRITTEN PERMISSION OF SEYMOUR DUNCAN RESEARCH IS PROHIBITED.

REVISIONS			
REV.	DESCRIPTION	DATE	APPROVED



UNLESS OTHERWISE SPECIFIED  
DIMENSIONS ARE IN INCHES  
TOLERANCES ARE:  
FRACTIONS DECIMALS ANGLES  
.XX ± .01 ± 1  
.XXX ± .005

CAD GENERATED DRAWING,  
DO NOT MANUALLY UPDATE

APPROVALS	DATE
DRAWN <i>Steven C.</i>	7/15/2014
CHECKED	
RESP ENG <i>Kevin Beller</i>	
MFG ENG	
QUAL ENG	

**SEYMOUR DUNCAN RESEARCH**

**Envelope Drawing  
STL-1**

SIZE	DWG. NO.	REV.
A		
SCALE: 1:1		Sheet 1 of 1