

---

# THE PERFORMER STAND

---

An unbreakable stand, which nests for compact storage and which has no knobs to fiddle with or get lost. The Performer Stand also has rubber feet to protect the floor, a music tray made of a polymer which will not "ring" when knocked, and an extra lip on the music tray for pencils and erasers. An extremely tough and scratch resistant epoxy coating makes this stand enormously durable.



**RAT**stands

1. The injection moulded tray is virtually unbreakable; if bent, it springs back. The tray is made of a polymer which does not "ring" when knocked. It has smoothly rounded edges all over - safe to handle and kind to your instruments.

2. The tray has an additional shelf for pencils and small instruments.

3. Friction locks automatically hold the tray at whatever angle you set. There are no knobs to fiddle with or lose, and it will never go slack.

4. The heavy-gauge steel stem is very strong and rigid. This stand doesn't sway, and yet can be adjusted smoothly and easily to the desired height, where it stays automatically.

5. The base is made from tubular steel for strength and rigidity without excess weight. Rubber feet preserve your floor and prevent clatter if the stand is knocked.

6. Stands nest for compact storage.

7. At 720mm (28") the closed height is almost 25% less than our competitors' stands, so you can store Performer Stands where others won't fit, such as on shelves or under worktops.

Specification

Height of tray measured from the score to the bottom of the music, adjustable between: 725 and 1320mm. (28½ and 52½")

Weight of stand: 2.9kg (6lb 6oz)

Tray size excluding pencil shelf area: 510 x 322mm (20 x 12½")

Product code:

The Performer Stand 80Q1

The Performer Stand trolley carries up to 18 stands. It has 2 fixed and 2 swivel castors for easy steering, and is coated in tough scratch-resistant epoxy.

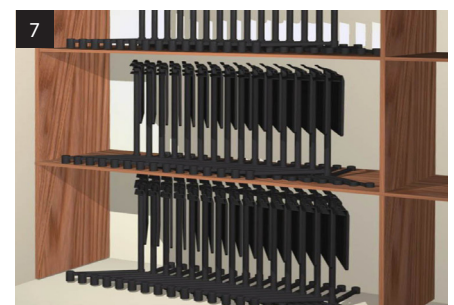
The Performer trolley specification

L x W: 1730 x 450mm (68" x 18")

Weight: 13 kg (28 lb)

Product code:

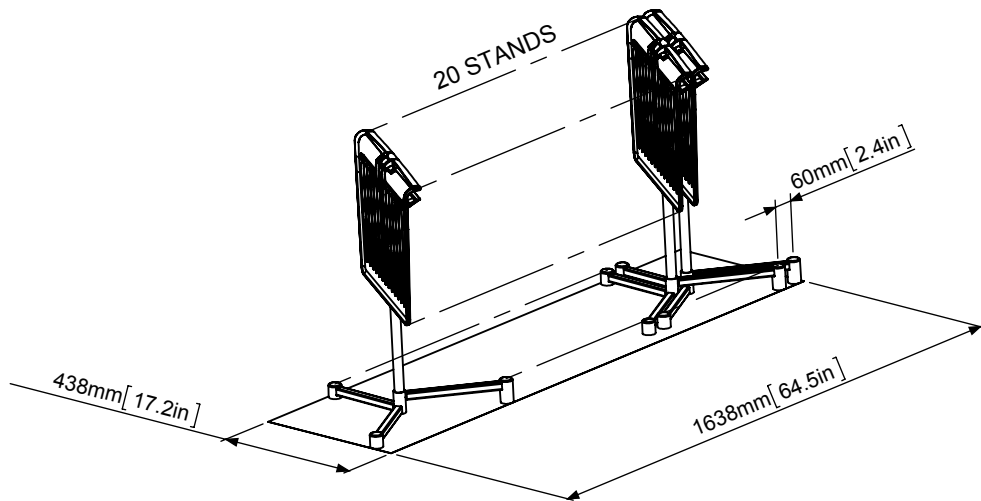
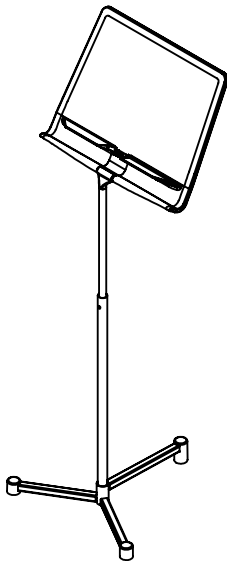
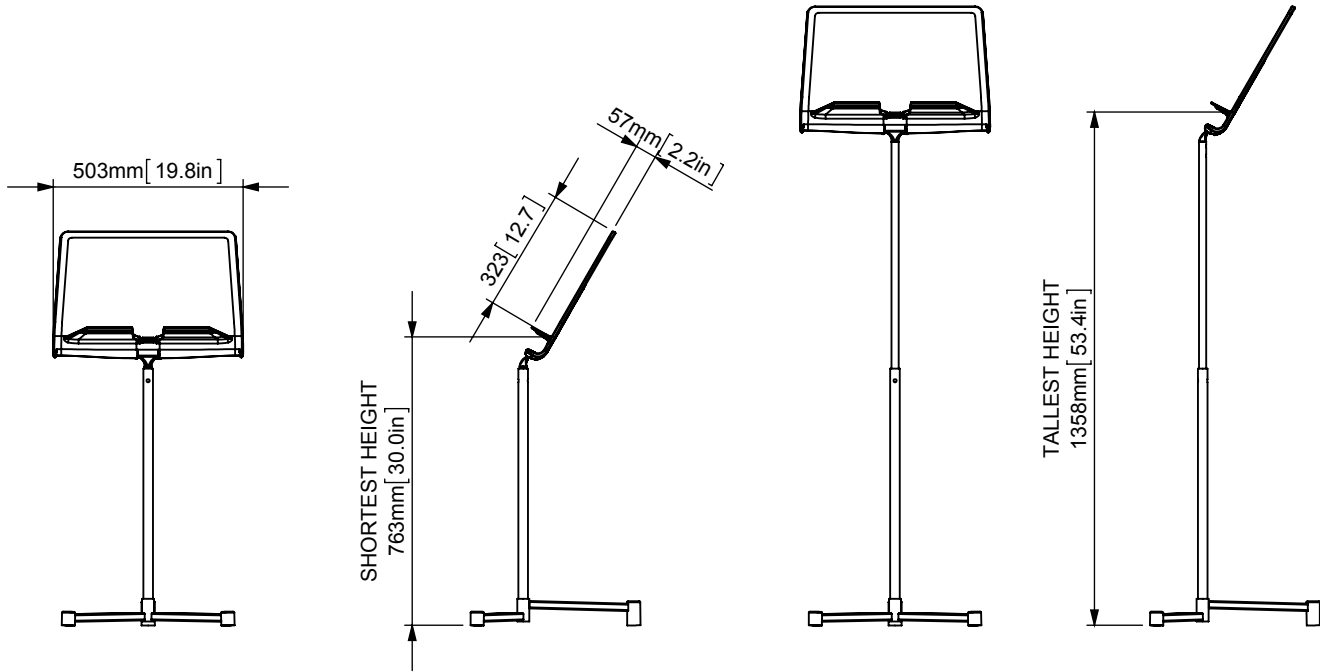
The Performer Stand trolley 59Q2



# THE PERFORMER STAND

Detailed specification

# RATstands



# THE PERFORMER STAND

Detailed specification

**RAT**stands

## Specifier's description

A high quality music stand with a heavy-gauge steel stem and coated in textured black epoxy/polyester. Stands can be nested on a flat floor, without requiring a trolley. Rubber feet on base provides 3-point contact with the floor. Provision to adjust the

angle of the tray and the height of the stand without any adjusting screws or levers. Tray injection moulded in polypropylene which does not "ring" when knocked. Has additional lip for pencils and small instruments.

Construction	
Structural parts	Steel
Feet	Natural rubber
Tray	Polypropylene
Coating	Black powder coat

Dimensions	
Tray size	510 x 322mm [20.1 x 12.7in]
Depth of tray lip	38mm [1.5in]
Lowest height to bottom of score	760mm [29.9in]
Tallest height to bottom of score	1320mm [52.0in]
Nesting pitch	60mm [2.4in]
Floor area occupied by 20 stands	1615 x 423mm [64 X 17in]
Weight of stand without lamp	2.9kg [6.4lb]

General	
Warranty	5 years
Applicable standards	
Part number	80Q1