

VIBRAMATE®

Requirement Chart for Vibramate V5 and V7-LP Mounting Kits

**Note: Drawing Not To Scale*

Approx: 6"
(153 mm)

Required for Vibramate
V7-LP and Bigsby®B7

Stop Tailpiece
Mounting Screws

Stop Tailpiece

Tune-O-Matic Bridge

Required for
Vibramate
V5 and V7-LP

3-1/4"
(82.5 mm)

CL = Center Line

©2010 Unique Engineering Corporation • All Rights Reserved

VIBRAMATE®

MADE IN USA
PATENTED DESIGN

Unique Engineering Corporation

po box 126 • ringoes • nj • 08551

Tel: 609-466-8101 • Fax: 609-466-8160

WWW.VIBRAMATE.COM

©2010 UE Corporation • All Rights Reserved • Vibramate is a registered trademark of UE Corporation
Bigsby is a registered trademark of Fred Gretsch Enterprises, Ltd.

VIBRAMATE®

Installation Instructions: V7-LP

WARNING – To prevent damage to your instrument, carefully follow these installation instructions.

Thank you for selecting the Vibramate V7-LP Mounting Kit for Carved Top Les Paul Style Guitars. This kit has been designed for the simple installation of a Bigsby Original B7 Vibrato on to your guitar without the need to drill holes in your instrument.

Step 1) Visually inspect the Vibramate mounting plate for alignment. The large mounting holes should align with the existing Stop-Tailpiece inserts on your instrument.

Step 2) Remove the strings from your guitar. (You may want to cover the instrument with a soft cloth or towel to protect the finish and for added safety during installation.)

Step 3) Carefully remove the existing Stop-Tailpiece from your guitar. Unscrew and remove both mounting screws. (Save the Stop-Tailpiece and mounting screws in case you decide to remount the original tailpiece.)

Step 4) Remove the Strap Pin Screw & Strap Pin from the end of your guitar where the Vibrato Tailpiece will mount. Save for securing the Tailpiece-Plate later during installation.

Step 5) Determine if your mount requires English or Metric mounting screws by carefully testing one of the kit-included screws with your existing inserts.

Step 6) Place the Vibramate V7-LP Mounting plate on your guitar with the felt-pad side down and the curved front mount edge towards the Tune-O-Matic Bridge. Use Insert-Spacers beneath the Mounting plate if needed. Align the mounting holes with the inserts and secure with correct mounting screws - do not overtighten.

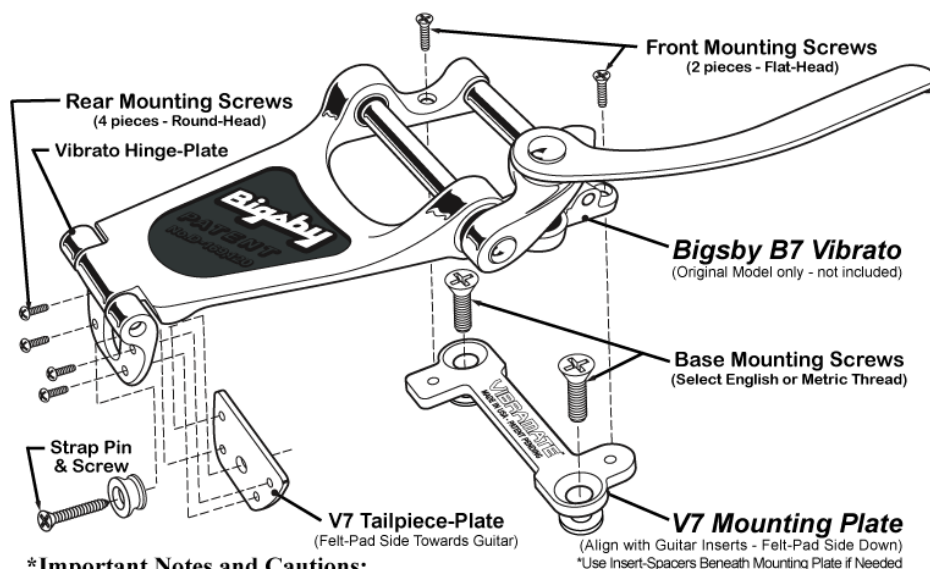
Step 7) Prepare the Bigsby B-7 Vibrato for mounting by first removing the felt-pads on the front feet of the Vibrato itself.

Step 8) Align the Vibramate Tailpiece-Plate with the Hinge-Plate on the Bigsby B7 Vibrato. The mounting holes will only fit in one direction and the felt-pads should be facing towards the guitar - do not over tighten. Secure the Vibrato Hinge-Plate to the Vibramate Tailpiece-Plate with the 4 small Round-Head screws included.

Step 9) Position the Vibrato on to the mounting plate aligning the 2 front mounting holes. Secure the Vibrato with the 2 small Flat-Head mounting screws.

Step 10) Rotate the Vibrato slightly down towards the back of the guitar so the Vibrato Hinge with the Vibramate Tailpiece-Plate aligns with the existing Strap Pin hole in your guitar. Secure the Tailpiece-Plate to the guitar with your existing Strap Pin & Screw.

Step 11) Re-string the guitar according to the Vibrato instructions and enjoy!



* Important Notes and Cautions:

- 1) Read all instructions, warnings and disclaimers prior to installation of this product, UE Corporation will not be held responsible for any damage to your instrument.
- 2) Use a qualified repairman or service if you are uncomfortable working on your guitar.
- 3) Some finishes can damage easily from contact with other objects including the Vibramate plate and felt pads. Consult a specialist prior to installation if this is a concern.
- 4) If the inserts in your guitar are loose you can carefully remove them and re-secure with a small amount of wood glue. Allow dry time of 24 hours before installing Vibramate.
- 5) If you are missing hardware or having trouble with the installation of your mounting kit please contact our technical service department by e-mail at: info@vibramate.com.

Unique Engineering Corporation

po box 126 • ringoes • nj • 08551

Tel: 609-466-8101 • Fax: 609-466-8160

WWW.VIBRAMATE.COM

©2009 UE Corporation • All Rights Reserved • Vibramate is a registered trademark of UE Corporation
Bigsby is a registered trademark of Fred Gretsch Enterprises, Inc. • Les Paul is a registered trademark of Gibson Guitar Corp.