

DM-X10

192 Channel DMX Controller

Item ref: 154.091UK

User Manual



Version 2.0



Caution: Please read this manual carefully before operating
 Damage caused by misuse is not covered by the warranty

Contents

Getting started

1.1 What is included.....	3
1.2 Unpacking instructions.....	3
1.3 Safety instructions.....	3

Introduction

2.1 Features.....	3
2.2 General overview.....	4
2.3 Product overview.....	4
2.4 Common terms.....	5

Operating instructions

3.1 Setup

3.1.1 Setting up the System.....	5
3.1.2 Fixture Addressing.....	5

3.2 Operation

3.2.1 Manual Mode.....	6
3.2.2 Review Scene or Chase.....	6

3.3 Programming

3.3.1 Entering program mode.....	7
3.3.2 Create a scene.....	7
3.3.3 Running a program.....	7
3.3.4 Check Program.....	7
3.3.5 Editing a Program.....	8
3.3.6 Copy a Program.....	8

3.4 Chase Programming

3.4.1 Create a chase.....	8
3.4.2 Running a Chase.....	8
3.4.3 Checking a Chase.....	8
3.4.4 Edit Chase (Copy Bank Into Chase).....	9
3.4.5 Edit Chase (Copy Scene Into Chase).....	9
3.4.6 Edit Chase (Insert Scene Into a Chase).....	9
3.4.7 Delete a scene in a Chase.....	9
3.4.8 Delete a Chase.....	9
3.4.9 Delete all Chase Programs.....	9

3.5 Scene Programming (steps)

3.5.1 Insert a scene.....	10
3.5.2 Copy a scene.....	10
3.5.3 Delete a scene.....	10
3.5.4 Delete all scenes.....	10

3.6 Playback

3.6.1 Running in Sound-Mode.....	11
3.6.2 Running in Auto-Mode.....	11
3.6.3 Blackout.....	11

Appendix

4.1 DMX Primer.....	12
4.2 Fixture Linking.....	12
4.3 DMX dipswitch quick reference chart.....	13
4.4 Technical specifications	14

Getting started

1.1 What is included

- DM-X10 controller
- DC 9-12V 500mA, 90V~240V Power Adapter
- Manual

1.2 Unpacking Instructions

Immediately upon receiving a fixture, carefully unpack the carton, check the contents to ensure that all parts are present, and have been received in good condition. Notify the shipper immediately and retain packing material for inspection if any parts appear damaged from shipping or the carton itself shows signs of mishandling. Save the carton and all packing materials. In the event that a unit must be returned to the factory, it is important that the unit be returned in the original factory box and packing.

1.3 Safety Instructions



Caution: Please read this manual carefully before operating
Damage caused by misuse is not covered by the warranty

Please keep this User Guide for future consultation. If you sell the unit to another user, be sure that they also receive this instruction booklet.

Always make sure that you are connecting to the proper voltage and that the line voltage you are connecting to is not higher than that stated on decal or rear panel of the fixture.

This product is intended for indoor use only!

To prevent risk of fire or shock, do not expose fixture to rain or moisture. Make sure there are no flammable materials close to the unit while operating.

The unit must be installed in a location with adequate ventilation, at least 50cm from adjacent surfaces. Be sure that no ventilation slots are blocked.

Always disconnect from power source before servicing or replacing lamp or fuse and be sure to replace with same lamp source.

In the event of serious operating problem, stop using the unit immediately. Never try to repair the unit by yourself. Repairs carried out by unskilled people can lead to damage or malfunction. Please contact the nearest authorized technical assistance centre. Always use the same type spare parts.

Don't connect the device to a dimmer pack.

Make sure power cord is never crimped or damaged.

Never disconnect power cord by pulling or tugging on the cord.

Introduction

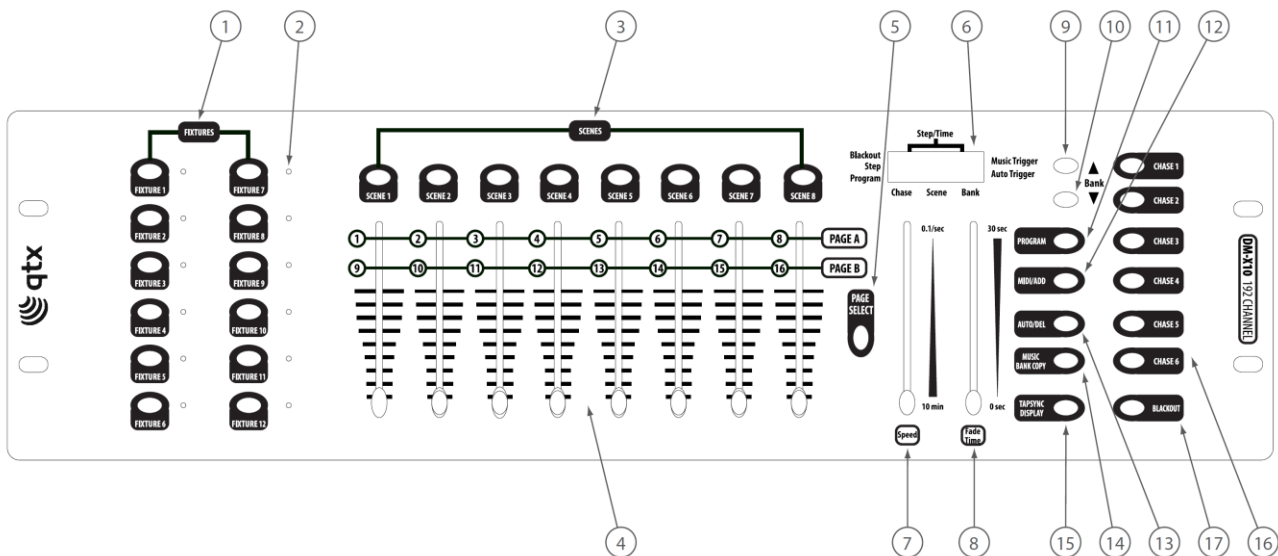
2.1 Features

- * Universal DMX-512 Controller
- * Controls 12 intelligent lights of up to 16 channels
- * 30 banks of 8 scenes, 240 scenes total
- * 6 sets of chases containing 240 scenes
- * Execute multiple chases simultaneously
- * Beat-activation, tap sync, auto run
- * Polarity selector

2.2 General Overview

The DM-X10 is a universal intelligent lighting controller. It allows the control of 12 fixtures composed of 16 channels each and up to 240 programmable scenes. Six chase banks can contain up to 240 steps composed of the saved scenes and in any order. Programs can be triggered by music, automatically or manually. All chases can be executed at the same time. On the surface you will find various programming tools such as 8 universal channel sliders and LED display indicators for easier navigation of controls and menu functions.

2.3 Product Overview (front)



1	Fixture Select Buttons	Select lighting fixture
2	Fixture Indicator LEDs	Indicate current fixtures
3	Scene Select Buttons	Store and select scenes
4	Channel Faders	Adjust DMX parameter values
5	Page Select Button	Switch faders between 1-8 and 9-16
6	LCD Display Window	Displays current parameters or status
7	Speed Fader	Adjust scene hold time or step time
8	Fade Time Fader	Adjust the rate of fading / cross-fading
9	Bank Up Button	Step forward scenes/steps in banks/chases Increment DMX values when FINE button is active
10	Bank Down Button	Step backward scenes/steps in banks/chases Decrement DMX values when FINE button is active
11	Program Button	Enter Program mode
12	MIDI/Add Button	Activate external control from MIDI / set MIDI address
13	Auto/Del Button	Activate Auto mode Delete key during Program mode
14	Music/Bank Copy Button	Activate Music mode Copy key during Program mode
15	Tap Sync Display Button	Tap tempo sync during program playback Switch DMX display to percentage in Program mode
16	Chase Buttons	Chase memory select 1-6
17	Blackout Button	Switch all lights off

2.4 Common Terms

The following are common terms used in intelligent light programming.

Blackout is a state by where all lighting fixtures light output are set to 0 or off, usually on a temporary basis.

DMX-512 is an industry standard digital communication protocol used in entertainment lighting equipment.

For more information read Sections DMX Primer and DMX Control Mode in the Appendix.

Fixture refers to your lighting instrument or other device such as a fogger or dimmer of which you can control.

Programs are a bunch of scenes stacked one after another. It can be programmed as either a single scene or multiple scenes in sequence.

Scenes are static snapshots of current channel values

Faders are slider adjustment controls for various parameters

Chases can also be called programs. A chase consists of a bunch of scenes stacked one after another.

Scanner refers to a lighting instrument with a pan and tilt mirror; however, in the controller it can be used to control any DMX-512 compatible device as a generic fixture.

Stand Alone refers to a fixture s ability to function independently of an external controller and usually in sync to music, from a built in microphone.

Shutter is a mechanical device in the lighting fixture that allows you to block the lights path. It is often used to lessen the intensity of the light output and to strobe.

Operating instructions

3.1 Setup

3.1.1 Setting up the system

Plug the AC to DC power supply to the system back panel and to the mains outlet.

Plug in your DMX cable(s) to your intelligent lighting as described in the fixtures' user manuals. For a quick Primer on DMX see the "DMX Primer" section in the Appendix of this manual.

3.1.2 Fixture addressing

The DM-X10 is programmed to control 16 channels of DMX per fixture, therefore the fixtures you wish to control with the corresponding FIXTURE buttons on the unit, must be spaced 16 channels apart.

Fixture	Default DMX Start Address	Binary DIP Switches Set to "ON"
1	1	1
2	17	1, 5
3	33	1, 6
4	49	1, 5, 6
5	65	1, 7
6	81	1, 5, 7
7	97	1, 6, 7
8	113	1, 5, 6, 7
9	129	1, 8
10	145	1, 5, 8
11	161	1, 6, 8
12	177	1, 5, 6, 8

Please refer to your individual fixture s manual for DMX addressing instructions. The table above refers to a standard 9 dipswitch binary configurable device.

3.2 Operation

3.2.1 Manual Mode

The manual mode allows direct control of all fixtures. You are able to move them and change attributes by using the channel faders.

Action

1. Select a **FIXTURE** button
2. Press the **AUTO DEL** button repeatedly until the MANUAL LED is lit.
3. Move the faders to change parameters for the selected fixture(s)
PAGE/SELECT A/B button: Use to switch between fader control pages (A: Ch1~8), (B: Ch 9~16)
TAP DISPLAY button: Press to toggle the output indicator on the LCD display between DMX values (0-255) and percentage (0-100)

Note: All changes made within MANUAL mode will be temporary and will not be recorded

3.2.1 Review Scene or Chase

This instruction assumes that you have already recorded scenes and chases on the controller. Otherwise skip this section and go to programming.

Action (SCENE review)

1. Select a **SCENE** button (1-8) to review
2. Select any one of the 30 banks by pressing the **BANK UP/DOWN** buttons
3. Move faders to change fixture attributes

Action (CHASE review)

1. Select a **CHASE** button (1-6) to review
2. Press the **TAP DISPLAY** button to view the step number on the display
3. Press the **BANK UP/DOWN** buttons to review all scenes in the chase

Note: Make sure you are still in MANUAL mode

3.3 Programming

A program (bank) is a sequence of different scenes (or steps) that will be called up one after another. In the DM-X10, 30 programs can be created with 8 scenes in each.

3.3.1 Entering Program Mode

Press the **Program** button until the LED blinks.

3.3.2 Create a Scene

A scene is a static lighting state. Scenes are stored in banks. There are 30 bank memories on the controller and each bank can hold 8 scene memories. The DM-X10 can save 240 scenes total.

Action

1. Press and hold the **PROGRAM** button until the LED blinks.
2. Position **SPEED** and **FADE TIME** sliders all the way down.
3. Select **FIXTURE(S)** to begin adjusting the DMX values
4. Move faders to adjust parameters to the required setting for the fixture(s)
5. De-select a fixture to hold its DMX values
6. Adjust for all fixtures until all are set at the required state
7. Press the **MIDI/ADD** button
8. Select a **BANK** and then select a **SCENE** to store the scene
9. Press **PROGRAM** to store
10. Repeat the above process for up to 8 scenes in the bank
11. Hold the **PROGRAM** button to exit Program mode

Notes:

Deselect **BLACKOUT** if LED is lit.

Toggle the **PAGE SELECT** button to access channels 9-16

All LEDs flash to confirm storing a scene

Shortcut: Press [**PROGRAM**] [**FIXTURES**] Adjust [**Faders**] [**BANK**] [**SCENE**] Press [**PROGRAM**] to store.

3.3.3 Running a Program

Action:

1. Use **BANK UP/DOWN** buttons to change Program banks if necessary
2. Press the **AUTO DEL** button repeatedly until the AUTO LED turns on
3. Adjust the program speed via the **SPEED** fader and the loop rate via the **FADE TIME** fader.
4. Alternatively you can tap the **TAP DISPLAY** button twice.
The time between two taps sets the time between SCENES (up to 10 minutes)

Note: Deselect Blackout if LED is lit.

3.3.4 Check Program

Action:

1. Press and hold the **PROGRAM** button until the LED blinks
2. Use **BANK UP/DOWN** buttons to change Program bank to review
3. Press the **SCENES** buttons to review each scene individually

3.3.5 Editing a Program

Scenes will need to be modified manually

Action:

1. Press and hold the **PROGRAM** button until the LED blinks
2. Use **BANK UP/DOWN** buttons to change Program banks if necessary
3. Select the desired fixture via the **FIXTURES** button
4. Move faders to adjust parameters to the required setting for the fixture(s)
5. Press the **MIDI/ADD** button to prepare the save
6. Select a **SCENE** to store the scene

3.3.6 Copy a Program

Action:

1. Press and hold the **PROGRAM** button until the LED blinks
2. Use **BANK UP/DOWN** buttons to change Program bank to be copied
3. Press the **MIDI/ADD** button to prepare the copy
4. Use **BANK UP/DOWN** buttons to change the destination Program bank
5. Press the **MUSIC BANK COPY** button to copy to the new destination. All LEDs will blink to confirm

3.4 Chase Programming

A chase is created by using previously created scenes. Scenes become steps in a chase and can be arranged in any order you choose. It is highly recommended that prior to programming chases for the first time; you delete all chases from memory. *See Delete All Chases* for instructions.

3.4.1 Create a Chase

A Chase can contain 240 scenes as steps. The term steps and scenes are used interchangeably.

Action:

1. Press and hold the **PROGRAM** button until the LED blinks
2. Press the **CHASE** (1-6) button you wish to program
3. Change **BANK** if necessary to locate a scene
4. Select a **SCENE** to insert
5. Press the **MIDI/ADD** button to store
6. Repeat steps 3 ~ 5 to add additional steps in the chase. Up to 240 steps can be recorded.
7. Hold the **PROGRAM** button to save the chase

3.4.2 Running a Chase

Action:

Press a **CHASE** button then press the **AUTO DEL** button.

Adjust the Chase speed by tapping the **TAP DISPLAY** button twice at a rate of your choosing

Note: The time between 2 taps will set the chase speed (up to 10 minutes)

3.4.3 Checking a Chase

Action:

1. Press and hold the **PROGRAM** button until the LED blinks
2. Select the desired **CHASE** button
3. Press the **TAP/DISPLAY** button to switch the display to step view
4. Use **BANK UP/DOWN** buttons to review each scene in the chase

3.4.4 Edit Chase (Copy Bank into Chase)

Action:

1. Press and hold the **PROGRAM** button until the LED blinks
2. Select the desired **CHASE** button
3. Select the Bank to be copied using the **BANK UP/DOWN** buttons
4. Press **MUSIC/BANK COPY** button to prepare the copy
5. Press **MIDI/ADD** button to copy. All LEDs will blink to confirm

3.4.5 Edit Chase (Copy Scene into Chase)

Action:

1. Press and hold the **PROGRAM** button until the LED blinks
2. Select the desired **CHASE** button
3. Select the Bank that contains the Scene to be copied using the **BANK UP/DOWN** buttons
4. Select the **SCENE** to be copied
5. Press **MIDI/ADD** button to copy. All LEDs will blink to confirm

3.4.6 Edit Chase (Insert Scene into Chase)

Action:

1. Press and hold the **PROGRAM** button until the LED blinks
2. Select the desired **CHASE** button
3. Press the **TAP/DISPLAY** button to switch the display to step view
4. Use **BANK UP/DOWN** buttons to navigate each scene in the chase until the insert point is reached
5. Press **MIDI/ADD** button to prepare the insert
6. Use **BANK UP/DOWN** buttons to navigate to the scene to be inserted
7. Press **MIDI/ADD** button to insert. All LEDs will blink to confirm

3.4.7 Delete a Scene from a Chase

Action:

1. Press and hold the **PROGRAM** button until the LED blinks
2. Select the desired **CHASE** button
3. Press the **TAP/DISPLAY** button to switch the display to step view
4. Use **BANK UP/DOWN** buttons to navigate to the Scene to be deleted
5. Press **AUTO/DEL** button to delete. All LEDs will blink to confirm

3.4.8 Delete a Chase

Action:

1. Press and hold the **PROGRAM** button until the LED blinks
2. Select the desired **CHASE** button
3. Press and hold the **AUTO/DEL** button and the **CHASE** button to delete. All LEDs will blink to confirm

3.4.9 Delete all Chase Programs

Action:

1. Turn the DM-X10 power OFF
2. Press and hold the **BANK DOWN** and **AUTO/DEL** buttons together and switch the power back on
3. All LEDs will blink to confirm Chases have been deleted

3.5 Scene Programming (Steps)

3.5.1 Insert a Scene

Action:

1. Press and hold the **PROGRAM** button until the LED blinks
2. Select the desired **CHASE** button
3. Press the **TAP/DISPLAY** button to switch the display to step view
4. Use **BANK UP/DOWN** buttons to navigate to the point at which to insert a Scene
5. Press the **MIDI/ADD** button to prepare to insert a scene
6. Use **BANK UP/DOWN** buttons to navigate to the scene that is to be inserted
7. Press the **SCENE** button that corresponds to the scene to be copied
8. Press the **MIDI/ADD** button to insert the scene. All LEDs will blink to confirm

Note: To insert a scene between Steps 05 and 06 navigate using BANK buttons until the LCD reads STEP05.

3.5.2 Copy a Scene

Action:

1. Press and hold the **PROGRAM** button until the LED blinks
2. Use **BANK UP/DOWN** buttons to navigate to the bank containing the Scene to be copied
3. Press the **SCENE** button that corresponds to the scene to be copied
4. Press the **MIDI/ADD** button to copy the scene
5. Use **BANK UP/DOWN** buttons to navigate to the bank that the Scene is to be copied into
6. Press the **SCENE** button where the Scene is to be copied into. All LEDs will blink to confirm

3.5.3 Delete a Scene

Action:

1. Press and hold the **PROGRAM** button until the LED blinks
2. Use **BANK UP/DOWN** buttons to navigate to the bank containing the Scene to be deleted
3. Press and hold the **AUTO/DEL** button
4. Press the **SCENE** button that corresponds to the scene to be deleted. All LEDs will blink to confirm

Note: When deleting a scene the physical location is not removed, however, all 192 DMX channels available to the scene will be set to value 0.

3.5.4 Delete All Scenes

Action:

1. Press and hold the **PROGRAM** and **BANK DOWN** buttons whilst switching the power off
2. Turn the DM-X10 back on and all Scenes will be deleted

Caution: This process is irreversible. All scenes with data will be set to 0.

3.6 Playback

3.6.1 Running in Sound mode

Action:

1. Press and hold the **MUSIC BANK COPY** button until the **MUSIC LED** is lit
2. Use **BANK UP/DOWN** buttons to navigate to the bank which is to be run in Sound mode
3. Alternatively, you can press a single **CHASE** button or several **CHASE** buttons in sequence and all Chases will be run in the order selected
4. You can adjust duration time using the **FADE TIME** fader

Note: In Sound mode, programs will be triggered by the sound using its built-in microphone.
Multiple chases selected will loop and run in the order originally selected.

3.6.2 Running in Auto mode

Action:

1. Press and hold the **AUTO/DEL** button until the **AUTO LED** is lit
2. If a **CHASE** button is not pressed, the DM-X10 will automatically run a **BANK** program
3. Use **BANK UP/DOWN** buttons to navigate to the bank which is to be run in Auto mode
4. Alternatively, you can press a single **CHASE** button or several **CHASE** buttons in sequence and all Chases will be run in the order selected
5. You can adjust time between steps using the **SPEED** fader and duration of the step using the **FADE TIME** fader

3.6.3 Blackout

Action:

1. Press the **BLACKOUT** button to set all DMX values temporarily to 0

APPENDIX

4.1 DMX Primer

There are 512 channels in a DMX-512 connection. Channels may be assigned in any manner. A fixture capable of receiving DMX 512 will require one or a number of sequential channels. The user must assign a starting address on the fixture that indicates the first channel reserved in the controller. There are many different types of DMX controllable fixtures and they all may vary in the total number of channels required. Choosing a start address should be planned in advance. Channels should never overlap. If they do, this will result in erratic operation of the fixtures whose starting address is set incorrectly. You can however, control multiple fixtures of the same type using the same starting address as long as the intended result is that of unison movement or operation. In other words, the fixtures will be slaved together and all respond exactly the same.

DMX fixtures are designed to receive data through a serial Daisy Chain. A Daisy Chain connection is where the DATA OUT of one fixture connects to the DATA IN of the next fixture. The order in which the fixtures are connected is not important and has no effect on how a controller communicates to each fixture. Use an order that provides for the easiest and most direct cabling. Connect fixtures using shielded two conductor twisted pair cable with three pin XLR male to female connectors. The shield connection is pin 1, while pin 2 is Data Negative (S-) and pin 3 is Data positive (S+).

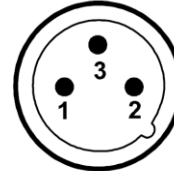
4.2 Fixture Linking

DMX-OUTPUT XLR mounting-socket:



- 1- Ground
- 2 - Signal (-)
- 3 - Signal (+)

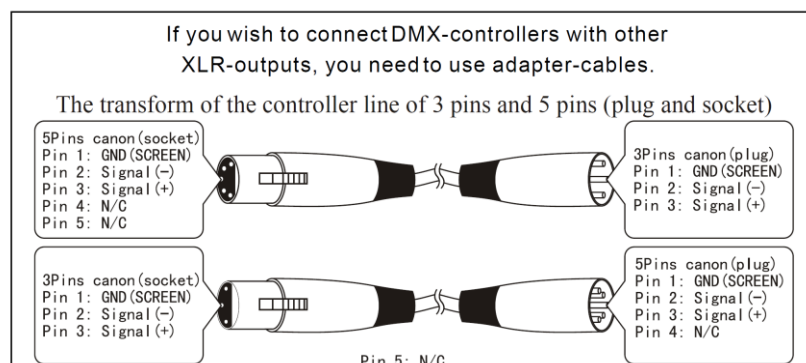
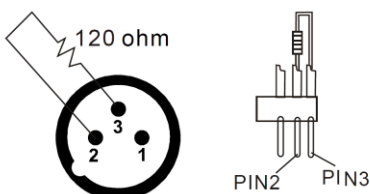
DMX-OUTPUT XLR mounting-plug:



- 1- Ground
- 2 - Signal (-)
- 3 - Signal (+)

Caution: At the last fixture, the DMX-cable has to be terminated with a terminator. Solder a 120Ω resistor between Signal (-) and Signal (+) into a 3-pin XLR-plug and plug it in the DMX-output of the last fixture.

In the Controller mode, at the last fixture in the chain, the DMX output has to be connected with a DMX terminator. This prevents electrical noise from corrupting the DMX control signals. The DMX terminator is simply an XLR connector with a 120W (ohm) resistor connected across pins 2 and 3, which is then plugged into the output socket on the last projector in the chain. The connections are illustrated below.



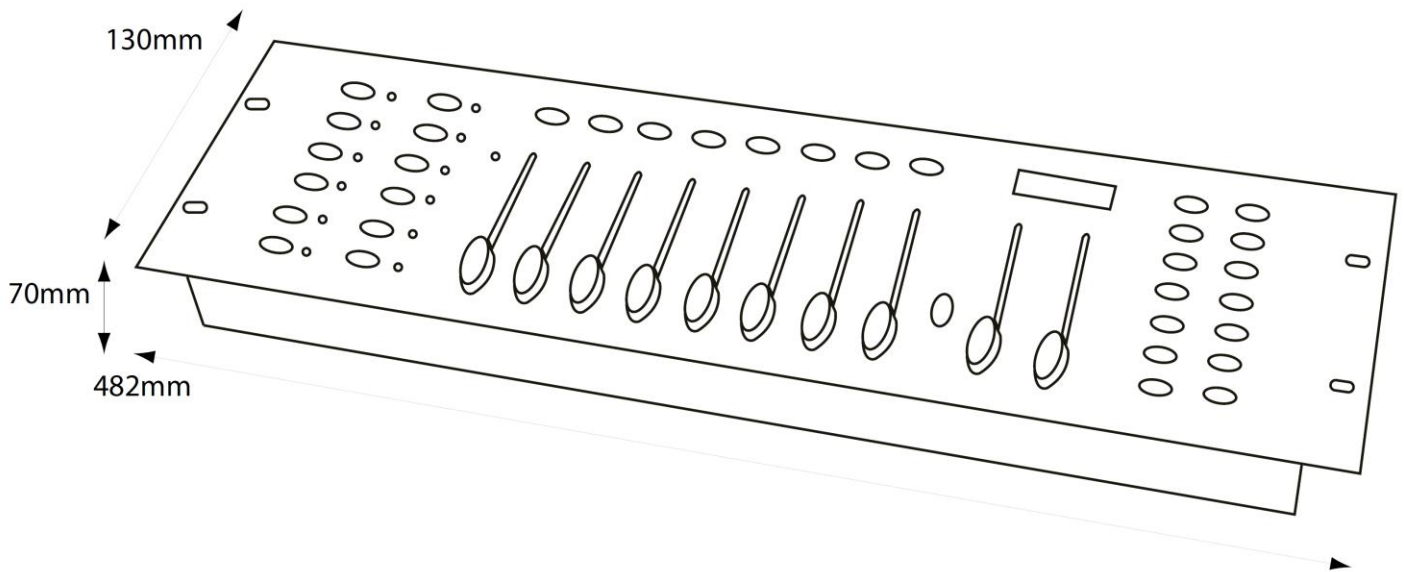
4.3 DMX DIP Switch Quick Reference Chart

DMX Address Quick Reference Chart																				
Dip Switch Position																				
DMX DIP SWITCH SET 0=OFF 1=ON X=OFF or ON	#9	0	0	0	0	0	0	0	0	1	1	1	1	1	1	1				
	#8	0	0	0	0	1	1	1	1	0	0	0	0	1	1	1				
	#7	0	0	1	1	0	0	1	1	0	0	1	1	0	0	1				
	#6	0	1	0	1	0	1	0	1	0	1	0	1	0	1	0				
#1	#2	#3	#4	#5																
0	0	0	0	0	32	64	96	128	160	192	224	256	288	320	352	384	416	448	480	
1	0	0	0	0	1	33	65	97	129	161	193	225	257	289	321	353	385	417	449	481
0	1	0	0	0	2	34	66	98	130	162	194	226	258	290	322	354	386	418	450	482
1	1	0	0	0	3	35	67	99	131	163	195	227	259	291	323	355	387	419	451	483
0	0	1	0	0	4	36	68	100	132	164	196	228	260	292	324	356	388	420	452	484
1	0	1	0	0	5	37	69	101	133	165	197	229	261	293	325	357	389	421	453	485
0	1	1	0	0	6	38	70	102	134	166	198	230	262	294	326	358	390	422	454	486
1	1	1	0	0	7	39	71	103	135	167	199	231	263	295	327	359	391	423	455	487
0	0	0	1	0	8	40	72	104	136	168	200	232	264	296	328	360	392	424	456	488
1	0	0	1	0	9	41	73	105	137	169	201	233	265	297	329	361	393	425	457	489
0	1	0	1	0	10	42	74	106	138	170	202	234	266	298	330	362	394	426	458	490
1	1	0	1	0	11	43	75	107	139	171	203	235	267	299	331	363	395	427	459	491
0	0	1	1	0	12	44	76	108	140	172	204	236	268	300	332	364	396	428	460	492
1	0	1	1	0	13	45	77	109	141	173	205	237	269	301	333	365	397	429	461	493
0	1	1	1	0	14	46	78	110	142	174	206	238	270	302	334	366	398	430	462	494
1	1	1	1	0	15	47	79	111	143	175	207	239	271	303	335	367	399	431	463	495
0	0	0	0	1	16	48	80	112	144	176	208	240	272	304	336	368	400	432	464	496
1	0	0	0	1	17	49	81	113	145	177	209	241	273	305	337	369	401	433	465	497
0	1	0	0	1	18	50	82	114	146	178	210	242	274	306	338	370	402	434	466	498
1	1	0	0	1	19	51	83	115	147	179	211	243	275	307	339	371	403	435	467	499
0	0	1	0	1	20	52	84	116	148	180	212	244	276	308	340	372	404	436	468	500
1	0	1	0	1	21	53	85	117	149	181	213	245	277	309	341	373	405	437	469	501
0	1	1	0	1	22	54	86	118	150	182	214	246	278	310	342	374	406	438	470	502
1	1	1	0	1	23	55	87	119	151	183	215	247	279	311	343	375	407	439	471	503
0	0	0	1	1	24	56	88	120	152	184	216	248	280	312	344	376	408	440	472	504
1	0	0	1	1	25	57	89	121	153	185	217	249	281	313	345	377	409	441	473	505
0	1	0	1	1	26	58	90	122	154	186	218	250	282	314	346	378	410	442	474	506
1	1	0	1	1	27	59	91	123	155	187	219	251	283	315	347	379	411	443	475	507
0	0	1	1	1	28	60	92	124	156	188	220	252	284	316	348	380	412	444	476	508
1	0	1	1	1	29	61	93	125	157	189	221	253	285	317	349	381	413	445	477	509
0	1	1	1	1	30	62	94	126	158	190	222	254	286	318	350	382	414	446	478	510
1	1	1	1	1	31	63	95	127	159	191	223	255	287	319	351	383	415	447	479	511

Dip Switch Position

DMX Address

4.4 Technical Specifications



Power supply	9-12Vdc, 500mA (adaptor included)
Max Operating Temperature	45°C
DMX output	3-pin XLRF
MIDI input	180° 5-pin DIN
Data Pinout	Pin 1 (GND), Pin 2 (-), Pin 3 (+)
Protocol	DMX512 USITT
Dimensions	482 x 130 x 70mm
Weight	3.5kg



Disposal: The "Crossed Wheelie Bin" symbol on the product means that the product is classed as Electrical or Electronic equipment and should not be disposed with other household or commercial waste at the end of its useful life. The goods must be disposed of according to your local council guidelines.

*Errors and omissions excepted.
Copyright© 2014. AVSL Group Ltd.*