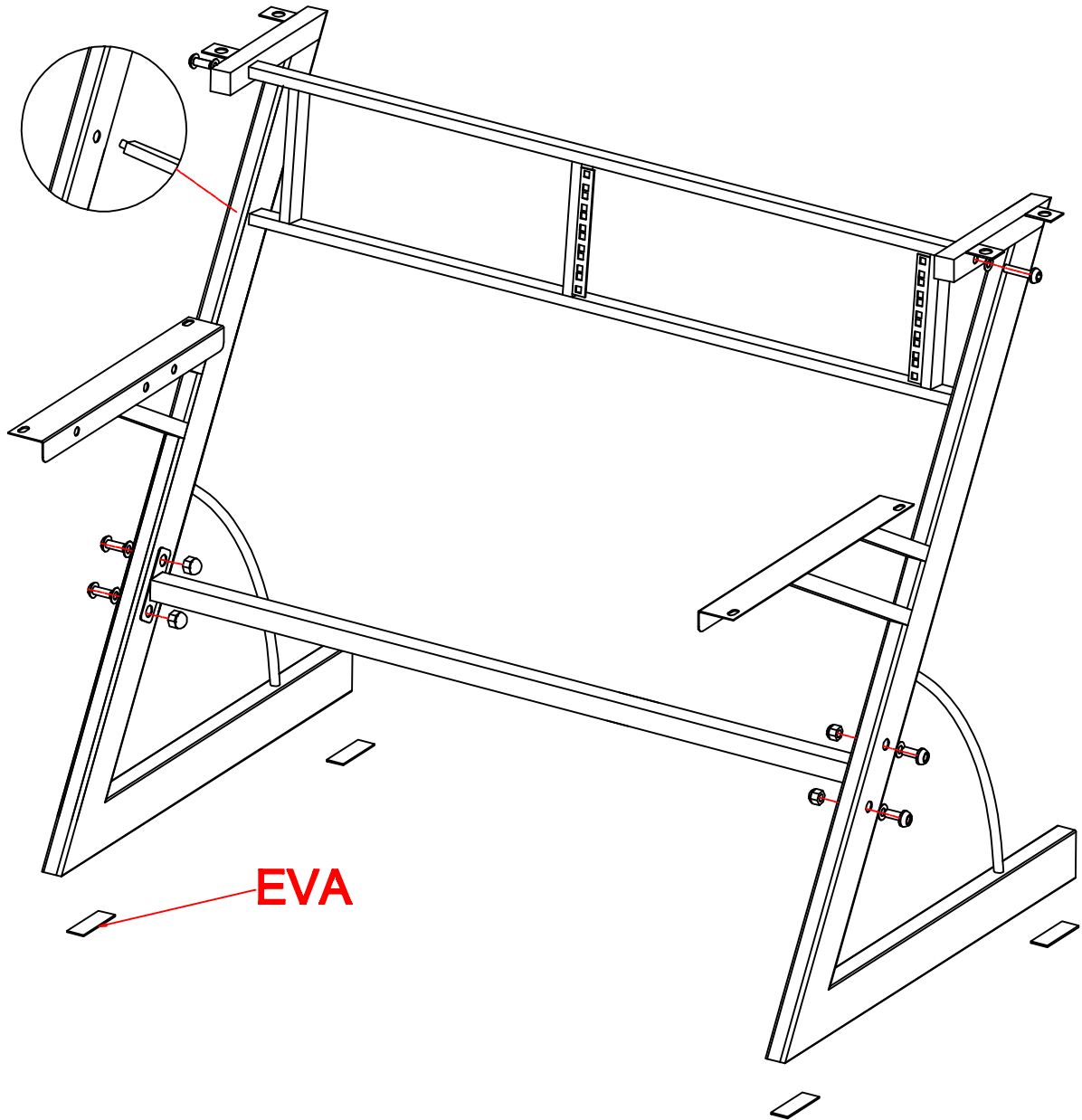


4 Tier Home Studio Desk by Gear4music, 6U

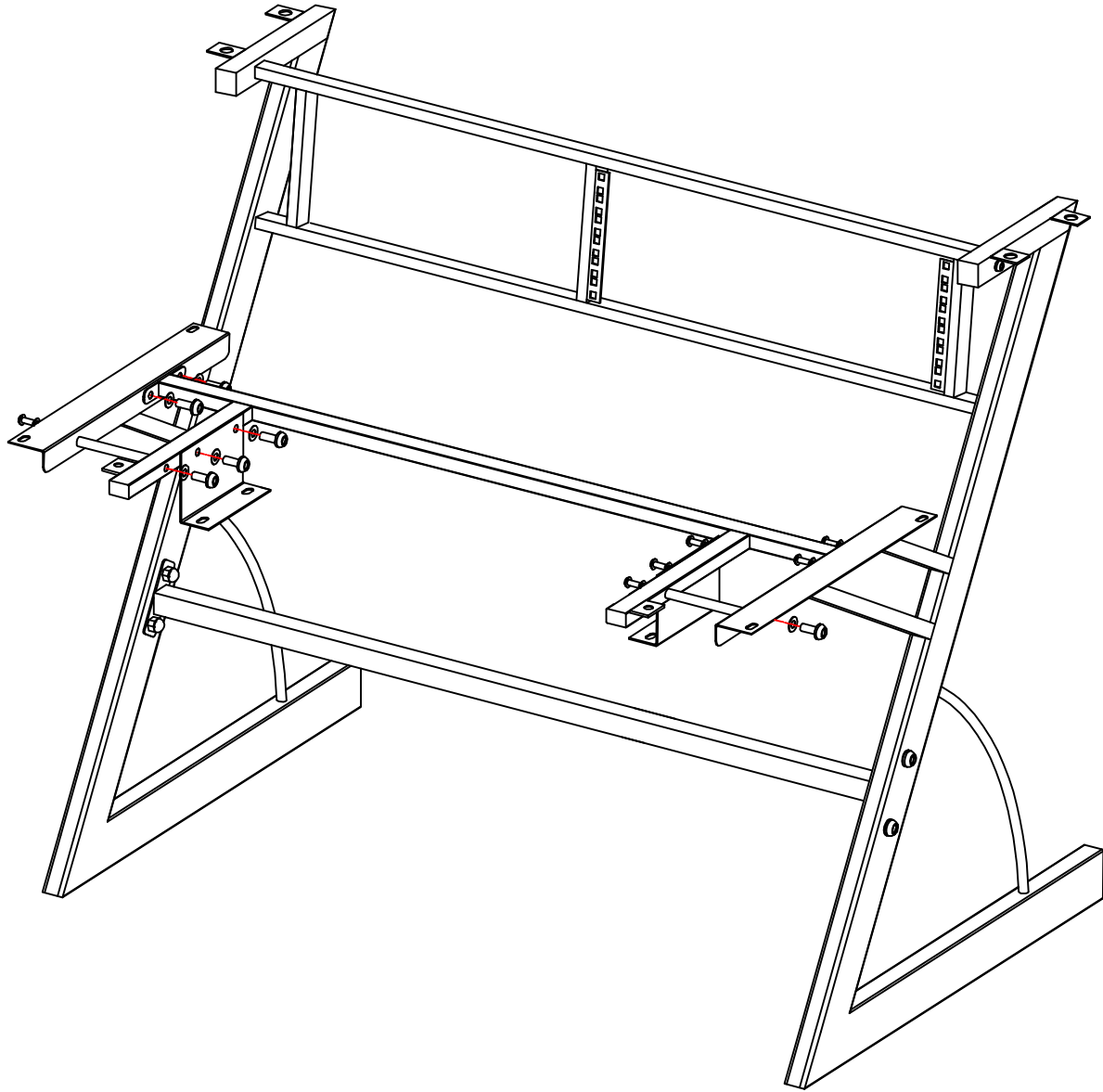
Assembly Guide

SWS-115



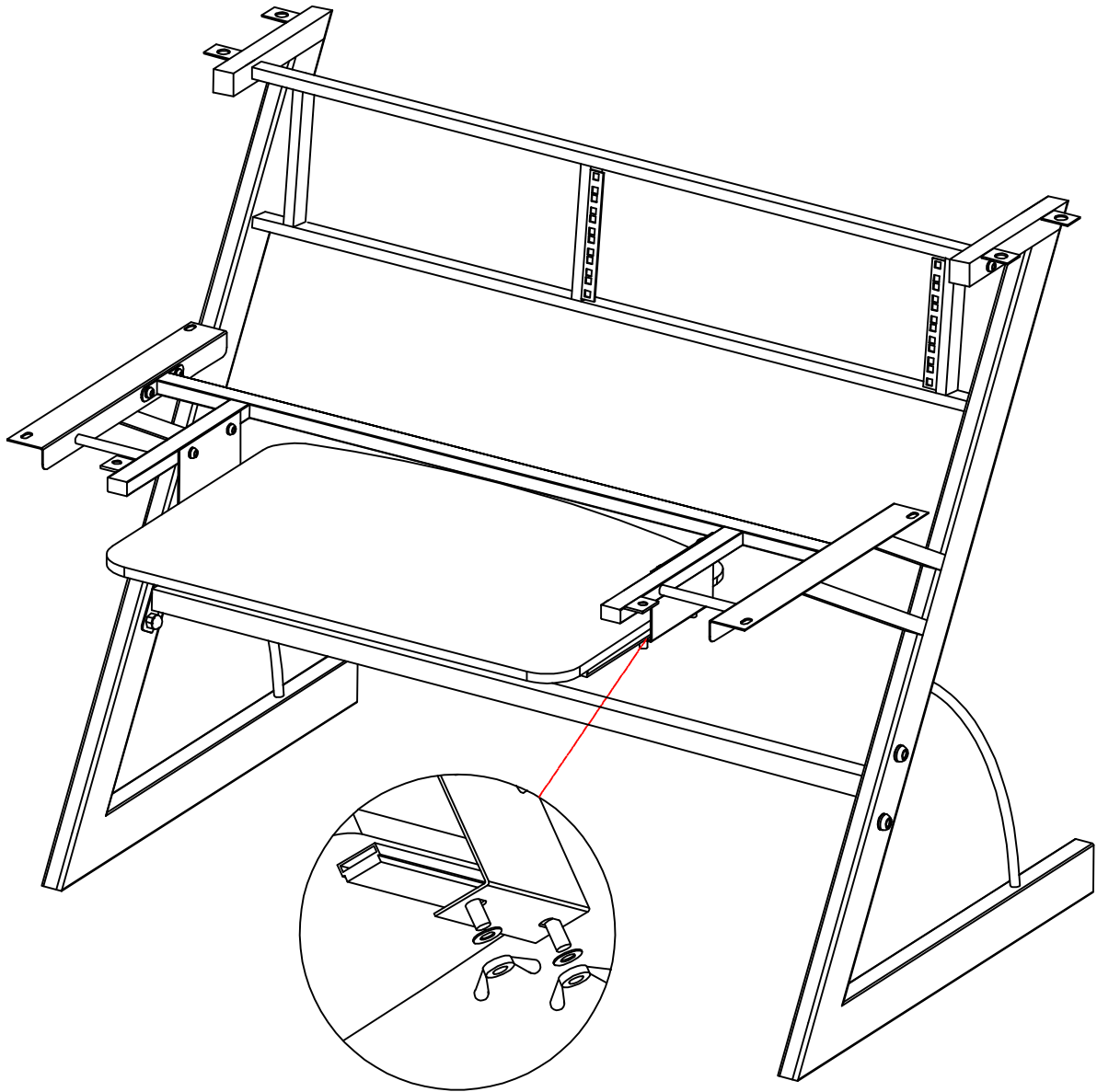
1. Attach the main legs together using the bottom cross-support bar and upper 6u rack as pictured. Tighten the bolts using the included allen key.

Stick the EVA pads under the legs if necessary.



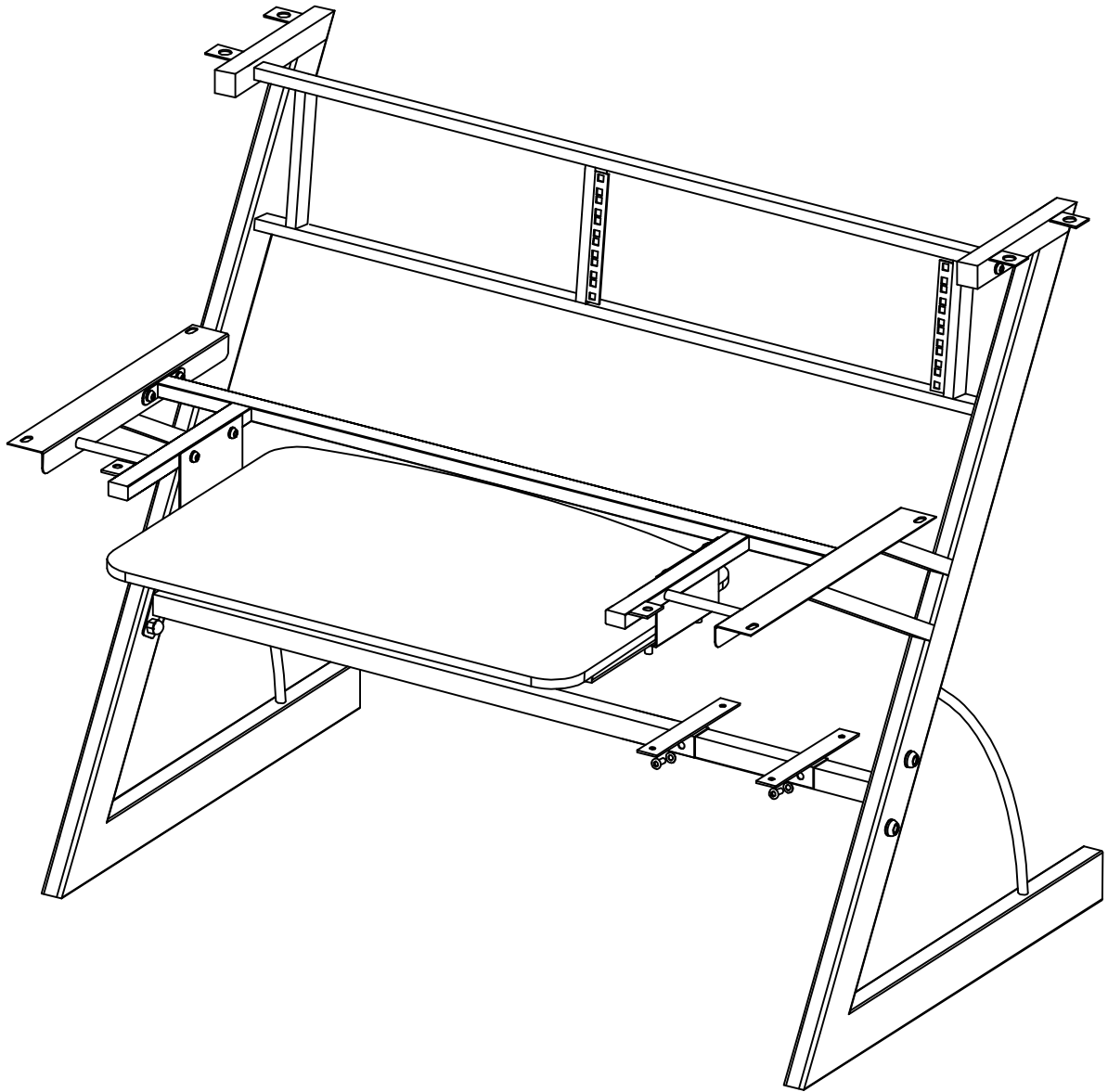
2. Attach the keyboard shelf support bracket as pictured.

Tighten the bolts.

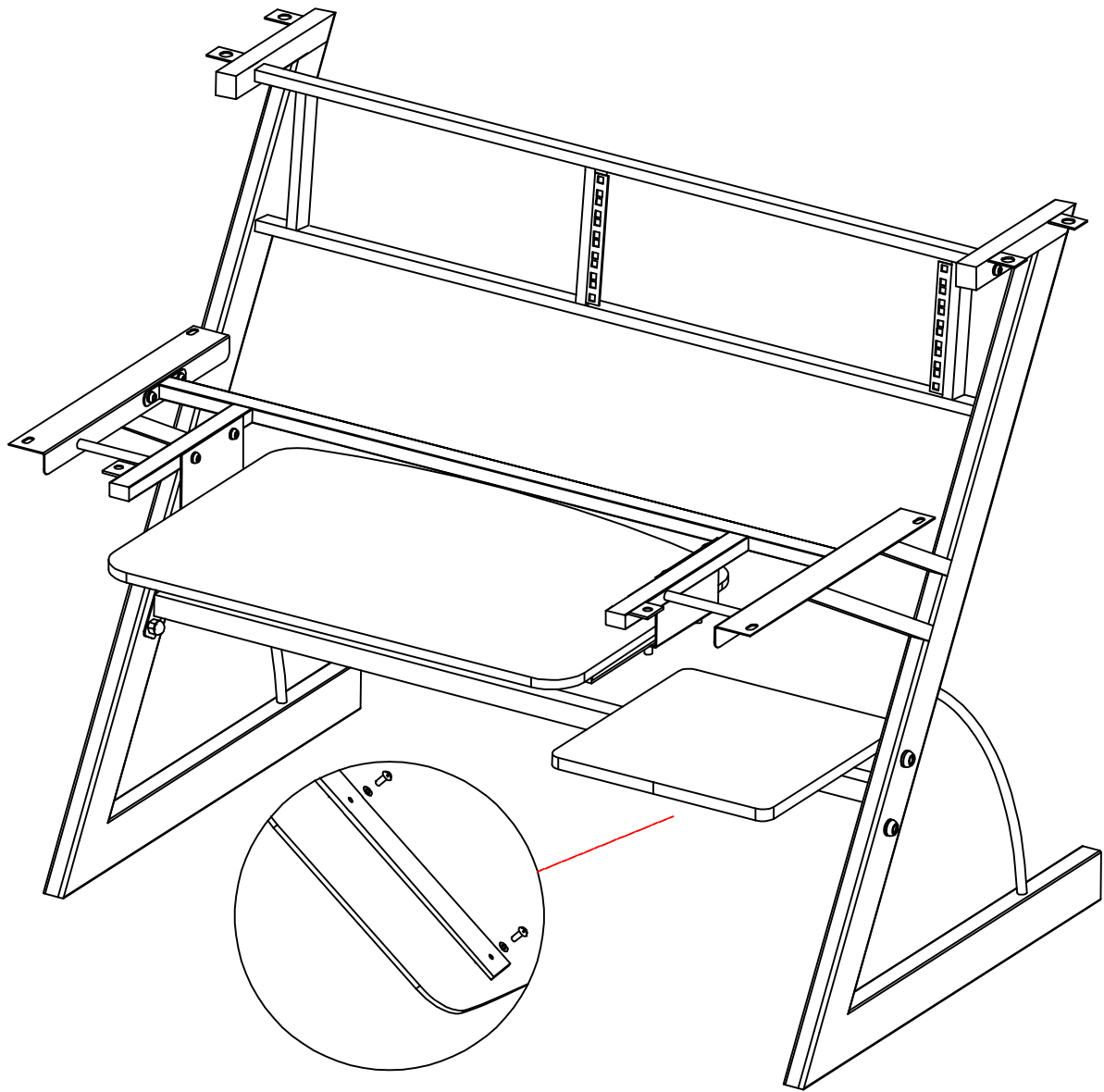


3. Place the keyboard shelf in the support brackets, bolt in place.

A safety screw is already installed, remove to let the shelf slide further out.

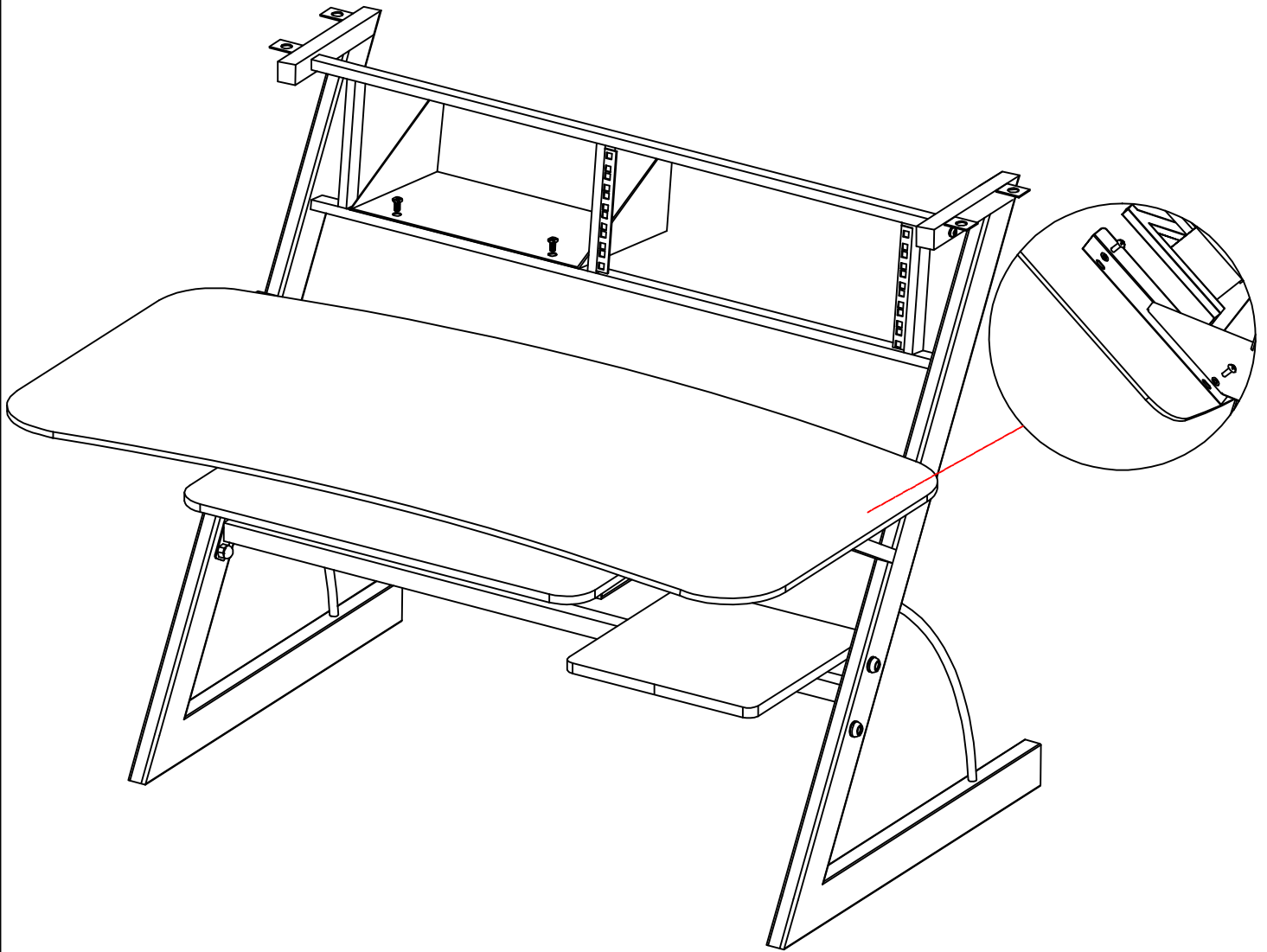


4. Attach the small shelf brackets to the bottom cross-support bar as pictured.



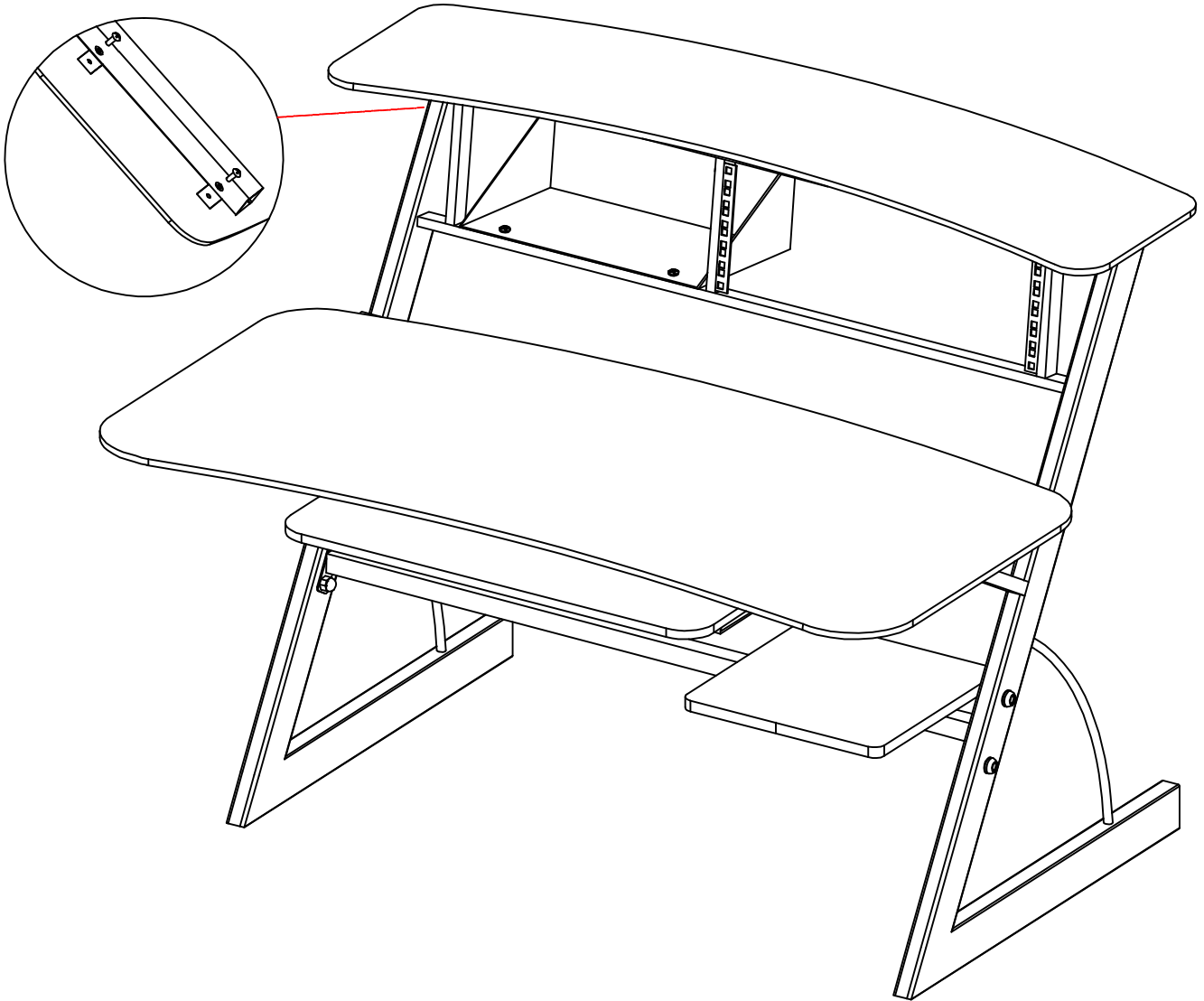
5. Attach the lower shelf onto the mounts.

You will need to pre-drill holes for the wood screws.



6. Place the main shelf on the support brackets at the desired depth and mount using the wood screws. You will need to pre-drill the holes.

Attach the steel rack shelf as shown and tighten the bolts.



7. Place the top shelf on the support brackets at the desired depth, as pictured.
Mount in place using the wood screws.