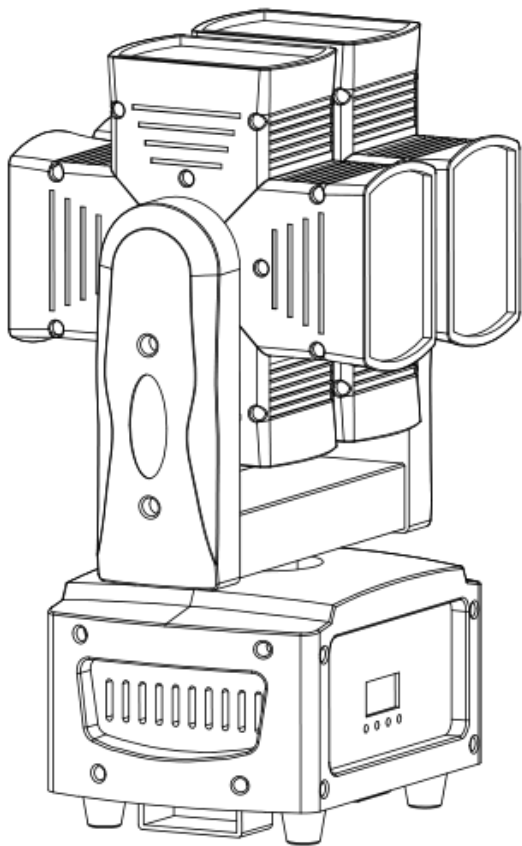


# EQUINOX GYROCOPTER



ORDER CODE: EQLED064

-----User manual

## Contents

1. Safety Instructions
2. Features & Specifications
3. How To Set The Unit
4. Troubleshooting
5. Fixture Cleaning

## 1. Safety Instructions



Please read the instructions carefully as they include important information about installation, usage and maintenance.

### WARNING

Please keep this User Guide for future consultation. If you sell the unit to another user be sure that they also receive this.

Unpack and check carefully that there is no transportation damage before using the unit.

- Before operating, ensure that the voltage and frequency of the power supply match the power requirements of the unit.
- It's important to ground the yellow/green conductor to earth in order to avoid electric shock.
- The unit is for indoor use only. Use only in a dry location.
- The unit must be installed in a location with adequate ventilation, at least 50cm from adjacent surfaces. Be sure that no ventilation slots are blocked.
- Disconnect the mains power before replacement or servicing.
- Make sure there are no flammable materials close to the unit while operating as they may cause a fire hazard.
- Always use a safety cable when installing this unit.
- The maximum ambient temperature is: 40°. Don't operate it where the temperature is higher than this.
- In the event of a serious operating problem stop using the unit immediately. Never try to repair the unit by yourself. Repairs carried out by unskilled people can lead to damage or malfunction. Please contact the nearest authorized technical assistance center. Always use the same type spare parts.
- Do not touch any power cables during operation as the high voltage may cause an electric shock.

### Warning

- To prevent or reduce the risk of electrical shock or fire, do not expose the unit to rain or moisture.
- Do not open the unit within five minutes after switching off.

- The housing and lenses must be replaced if they are visibly damaged.
- This lighting fixture is for professional use only - it is not designed for or suitable for household use. The product must be installed by a qualified technician in accordance with local territory regulations. The safety of the installation is the responsibility of the installer. The fixture presents risks of severe injury or death due to fire hazards, electric shock and falls.
- Warning! Risk Group 2 LED product according to EN 62471. Do not view the light output with optical instruments or any device that may concentrate the beam.
- WARRANTY: One year from date of purchase.

### Installation

The unit should be mounted via its screw holes onto the bracket. Always ensure that the unit is firmly fixed to avoid vibration and slipping while operating. Make sure that the structure to which you are attaching the unit to is secure and is able to support a weight of 10 times of the unit's weight. Always use a safety cable that can hold 12 times of the weight of the unit when installing the fixture.

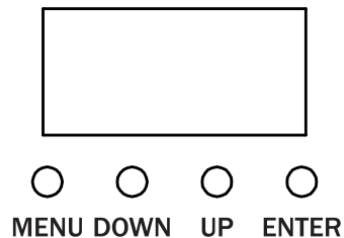
The equipment must be installed by professionals and it must be installed in a place where is out of the reach of people and no one can pass by or under it.

## 2. Features & Technical Specifications

- ◇ Control: Sound active, Auto, Master/slave and DMX 512 modes
- ◇ DMX Channels: 6CH/14CH/19CH/20CH
- ◇ Electronic dimming:0-100%
- ◆ Voltage: 100V~240V, 50/60Hz
- ◆ Fuse: T 2.5A
- ◆ Power consumption: 120W
- ◆ Light source: 8 x 8W RGBW 4IN1 LED
- ◆ Dimension: 212\*335\*130mm
- ◆ Weight: 3.9kg
- ◆ Pan/Tilt: 540°/360° Infinite
- ◆ Power sockets: IEC IN/OUT
- ◆ XLR sockets: 3-pin XLR IN/OUT

## 3.How To Set The Unit

### 3.1 Control panel



### Display

Shows the various menus and selected functions

### Button

MENU	Selects the programming functions
DOWN	To go backward in the selected functions
UP	To go forward in the selected functions
ENTER	Confirms the selected functions

### Mains input

Connection to the power supply.

### DMX input/output

For DMX 512 linking. Use a 3-pin XLR cables to link to the controller or to other units.

## 3.2 Main Functions

To select any of the given functions, press the **MENU** button up to where the required function is showing on the display. Select the function by pressing the **ENTER** button and the display will blink. Use the **DOWN** and **UP** buttons to change the mode. Once the required mode has been selected, press the **ENTER** button to confirm.

The main functions are as below:

Menu	Addr	0000 0502
	Chan	06CH 14CH 19CH 20CH
	Slave	0RSE
		SL 1
	SL 2	
	SL00	SL 0 - SL03
	R000	R0 0 - R003
		SR 0 - SR 9
	S000	00
		0FF
	S005	0 - 000
	L00	00
		0FF
	0RSP	0500 015P
	P00	00
		005
	0001	00
		005
	0002	00
		005
0050		
0000	0 - 9999	
000	000	
0500		

### Addr DMX Address Setting

Press the **MENU** button to select **Addr**. Press the **ENTER** button and the display will blink. Use the **DOWN** and **UP** buttons to choose the address to confirm.

### Chan Channel Mode

Press the **MENU** button to select **Chan**. Press the **ENTER** button and the display will blink. Use the **DOWN** and **UP** buttons to select the **06CH** (6 Channel) mode, **14CH** (14 Channel) mode, **19CH** (19 Channel) mode or **20CH** (20 Channel) mode. Once the mode has been selected, press the **ENTER** button to confirm.

### SL00 Slave Mode

Press the **MENU** button to select **SL00**. Press the **ENTER** button and the display will blink. Use the **DOWN** and **UP** buttons to select the **SL01** (Slave 1), **SL02** (Slave 2) mode, Once the mode has been selected, press the **ENTER** button to confirm.

### SL00 Show Mode

Select **SL00**, press the **ENTER** button and the current mode will blink on the display. Use the **DOWN** and **UP** buttons to select from **SL 0** to **SL03**. Once the mode has been selected press the **ENTER** button to confirm.

## **Auto** AUTO Mode

Press the **MENU** button to select **Auto**. Press the **ENTER** button and the display will blink. Use the **DOWN** and **UP** button to select the show from **Auto** to **Auto** mode to choose to AUTO mode. For speed selecting, Use the **DOWN** and **UP** buttons to select the speed from **SP 0** to **SP 9** mode, Once the mode has been selected, press the **ENTER** button to confirm.

## **Sound** Sound Mode

Press the **MENU** button to select **Sound**. Press the **ENTER** button and the display will blink. Use the **DOWN** and **UP** buttons to select the **on** (sound on) or **off** (sound off) mode. Once the mode has been selected, press the **ENTER** button to confirm.

## **Sens** Sound Sensitivity

Press the **MENU** and use the **UP** and **DOWN** buttons to select **Sens** and select the sound sensitivity between value 0 and 100. Press the **ENTER** button to confirm.

## **LED** Led Display

Press the **MENU** button to select **LED**. Press the **ENTER** button and the display will blink. Use the **DOWN** and **UP** buttons to select the **no** (Led display on) or **off** (Led display off) mode. Once the mode has been selected, press the **ENTER** button to confirm. To go back to the functions without any changes press the **MENU** button again. Press and hold the **MENU** button for one second or wait for one minute to go back to the main menu.

## **ds IP** Display Inversion

Press the **MENU** button to select **ds IP**. Press the **ENTER** button to change the mode **ds IP** (display normal), it will be automatically saved after 8 seconds. Press the **ENTER** button again to select the mode **ds IP** (display inversion). To go back to the functions press the **MENU** button. Press and hold the **MENU** button for one second or wait for one minute to go back to the main menu.

**d ISP** Display normal mode is for floor standing the unit.

**ds IP** Display inversion mode is for hanging the unit upside down.

## **Pan** Pan setting

Press the **MENU** button to select **Pan**. Press the **ENTER** button and the display will blink. Use the **DOWN** and **UP** buttons to select the **no** (normal) or **yes** (tilt inversion) mode. Once the mode has been selected, press the **ENTER** button to confirm.

## **Tilt1** Tilt1 Inversion

Press the **MENU** button to select **Tilt1**. Press the **ENTER** button and the display will blink. Use the **DOWN** and **UP** buttons to select the **no** (normal) or **yes** (tilt inversion) mode. Once the mode has been selected, press the **ENTER** button to confirm.

## **Tilt2** Tilt 2 Inverse

Press the **MENU** button to select **Tilt2**. Press the **ENTER** button and the display will blink. Use the **DOWN** and **UP** buttons to select the **no** (normal) or **yes** (tilt inversion) mode. Once the mode has been selected, press the **ENTER** button to confirm.



Auto Test

To select the Auto Test, press the ENTER button to show AUTO TEST on the display and the unit will run a selftest. To go back to the functions without any changes press the MENU button again. Hold and press the MENU button for one second or wait for one minute to exit the menu mode.



Hours

To select the Fixture Hours, press the ENTER button to show FIXTURE HOURS on the display and, the display will show the number of working hours of the unit. To go back to the functions without any changes press the MENU button again.

Hold

and press the MENU button for one second or 10. Wait for one minute to exit the menu mode.



Software version

Press the MENU button up to when the 'uEr.' is blinking on the display. Pressing ENTER button and the display will show the version of software of the unit. To go back to the functions press the MENU button.



Reset

Press the MENU button to select 'r52E'. Press the ENTER button and all channels of the unit will return to their standard position.

1. Master/slave built-in preprogram function

2. Universal DMX controller

There is no need to turn the unit off when you change the DMX address as new DMX address setting will take effect at once. Every time you turn the unit on, it will show 'MB80' on the display and move all the motors to their 'home' position and you may hear some noises for about 20 seconds. After that the unit will be ready to receive a DMX signal or run the built in programs.

## 4.1 Master/Slave Built In Preprogrammed Function

By linking the units in master/slave connection, the first unit will control the other units to give an automatic, sound activated, synchronized light show. This function is good when you want an instant show. You have to set the first unit as master and select **show 1, show 2, show 3 or show 4 etc.** from the **Show Mode**. The other units must be set to either **Slave 1** (normal) or **Slave 2** (2 light show) mode. A DMX cable between the units for daisy chaining is needed.

### 2-light show

In **slave mode**, **Slave 1** means the unit works normally and **Slave 2** means 2-light show. In order to create a great light show, you can set **Slave 2** on the second unit to get contrast movement to each other, even if you have two units only.

## 4.2 DMX Controller

By using a universal DMX controller to control the units, you will need to set a DMX address from 1 to 512 so that the units can receive a DMX signal. Press the MENU button until 'Addr' is showing on the display. Press the ENTER button and the display will blink. Use the DOWN and UP buttons to change the DMX-512 address. Once the address has been selected, press the ENTER button to confirm.

Please refer to the below diagram to address your first 4 units :

Channel mode	Unit 1 Address	Unit 2 Address	Unit 3 Address	Unit 4 Address
8 channel	1	9	17	25
14 channel	1	15	29	33
19 channel	1	20	39	57
20 channel	1	21	61	81

## 4.3 DMX 512 Configuration

### 6 channel

Channel	Function	Value	Percent / Setting
1	Dimmer	000-255	0%~ 100%
2	Strobe	000-007	Open
		008-255	Strobe Speed
3	Macro Movement	000-007	No function
		008-022	Movement01
		023-037	Movement02
		038-052	Movement03
		053-067	Movement04
		068-082	Movement05
		083-097	Movement06
		098-112	Movement07
		113-127	Movement08
		128-142	Movement09
		143-157	Movement10
		158-172	Movement11
		173-187	Movement12
		188-202	Movement13
		203-217	Movement14
		218-232	Movement15
233-247	Movement16		
248-255	Sound active		
4	Movement Speed	000-255	Movement Speed slow to fast
5	Color Chase	000-014	No Function
		015-035	Colour Chase 1
		036-056	Colour Chase 2
		057-076	Colour Chase 3
		078-097	Colour Chase 4

		098-117	Colour Chase 5
		118-138	Colour Chase 6
		139-159	Colour Chase 7
		160-179	Colour Chase 8
		180-200	Colour Chase 9
		201-220	Colour Chase 10
		221-241	Colour Chase 11
		242-255	Colour Chase 12
6	Chase Speed	000-255	Slow to fast

### 14 channel

Channel	Value	Function
1	000-255	Pan
2	000-255	Pan speed slow to fast
3	000-255	Tilt1
4	Tilt1 Rotate	
	000-005	Stop
	006-126	Movement forward fast -> slow
	127-128	Stop
	129-249	Movement forward Slow -> Fast
	250-255	Stop
5	000-255	Colour1
6	000-255	Colour2
7	000-255	Colour3
8	000-255	Colour4
9	000-255	Tilt2
10	Tilt2 Rotate	
	000-005	Stop
	006-126	Movement forward fast -> slow
	127-128	Stop

	129-249	Movement forward Slow -> Fast
	250-255	Stop
11	000-255	Colour5
12	000-255	Colour6
13	000-255	Colour7
14	000-255	Colour8

Colour table for Channel 5/6/7/8/11/12/13/14	
Colour	000 - 007 Blackout
	008 - 024 R
	025 - 041 G
	042 - 057 B
	058 - 074 W
	075 - 090 R + G
	091 - 107 R + B
	108 - 123 R + W
	124 - 140 G + B
	141 - 156 G + W
	157 - 173 B + W
	174 - 189 R + G + B
	190 - 206 R + G + W
	207 - 222 R + B + W
223 - 239 G + B + W	
240 - 255 R + G + B + W	

## 19 channel

Channel	Value	Function
1	000-255	Dimmer
2	000-007	Open

	008-255	Strobe speed
3	000-255	Pan
4	000-255	Pan Fine
5	000-255	Pan speed slow to fast
6	000-255	Tilt1
7	000-255	Tilt1 Fine
8	Tilt1 Rotate	
	000-005	Stop
	006-126	Movement forward fast -> slow
	127-128	Stop
	129-249	Movement forward Slow -> Fast
	250-255	Stop
9	000-255	Colour1
10	000-255	Colour2
11	000-255	Colour3
12	000-255	Colour4
13	000-255	Tilt2
14	000-255	Tilt1 Fine
15	Tilt2 Rotate	
	000-005	Stop
	006-126	Movement forward fast -> slow
	127-128	Stop
	129-249	Movement forward Slow -> Fast
	250-255	Stop
16	000-255	Colour5
17	000-255	Colour6
18	000-255	Colour7
19	000-255	Colour8

Colour table for Channel 9/10/11/12/16/17/18/19	
Colour	000 - 007 Blackout



008 - 024 R
025 - 041 G
042 - 057 B
058 - 074 W
075 - 090 R + G
091 - 107 R + B
108 - 123 R + W
124 - 140 G + B
141 - 156 G + W
157 - 173 B + W
174 - 189 R + G + B
190 - 206 R + G + W
207 - 222 R + B + W
223 - 239 G + B + W
240 - 255 R + G + B + W

## 20 channel

Channel	Value	Function
1	000-255	Dimmer
2	000-007	Open
	008-255	Strobe speed
3	000-007	No function
	008-022	Movement01
	023-037	Movement02
	038-052	Movement03
	053-067	Movement04
	068-082	Movement05
	083-097	Movement06
	098-112	Movement07
	113-127	Movement08
	128-142	Movement09
143-157	Movement10	

	158-172	Movement11
	173-187	Movement12
	188-202	Movement13
	203-217	Movement14
	218-232	Movement15
	233-247	Movement16
	248-255	Sound active
	4	000-255
5	000-014	No Function
	015-035	Colour Chase 1
	036-056	Colour Chase 2
	057-076	Colour Chase 3
	078-097	Colour Chase 4
	098-117	Colour Chase 5
	118-138	Colour Chase 6
	139-159	Colour Chase 7
	160-179	Colour Chase 8
	180-200	Colour Chase 9
	201-220	Colour Chase 10
	221-241	Colour Chase 11
242-255	Colour Chase 12	
6	000-255	Chase Speed
7	000-255	Pan- Only when Chan 3 not used
8	000-255	Pan speed fast to slow
9	000-255	Tilt1
10	Tilt1 Rotate	
	000-005	Stop
	006-126	Movement forward fast -> slow
	127-128	Stop
	129-249	Movement forward Slow -> Fast

	250-255	Stop
11	000-255	Colour1 Only when Chan 5 not used
12	000-255	Colour2 Only when Chan 5 not used
13	000-255	Colour3 Only when Chan 5 not used
14	000-255	Colour4 Only when Chan 5 not used
15	000-255	Tilt2
16	Tilt2 Rotate	
	000-005	Stop
	006-126	Movement forward fast -> slow
	127-128	Stop
	129-249	Movement forward Slow -> Fast
	250-255	Stop
17	000-255	Colour5 Only when Chan 5 not used
18	000-255	Colour6 Only when Chan 5 not used
19	000-255	Colour7 Only when Chan 5 not used
20	000-255	Colour8 Only when Chan 5 not used

Colour table for Channel 11/12/13/14/17/18/19/20	
Color	000 - 007 Blackout
	008 - 024 R
	025 - 041 G
	042 - 057 B
	058 - 074 W
	075 - 090 R + G
	091 - 107 R + B
	108 - 123 R + W
	124 - 140 G + B
	141 - 156 G + W
	157 - 173 B + W
	174 - 189 R + G + B
	190 - 206 R + G + W
	207 - 222 R + B + W
	223 - 239 G + B + W
240 - 255 R + G + B + W	

## 4.4 Troubleshooting

Following are a few common problems that may occur during operation and some suggestions for easy troubleshooting:

### A. The unit does not work, no light and the fan does not work

1. Check the connection of the power and the main fuse.

### B. Not responding to DMX controller

1. DMX LED should be on. If not, check DMX cables to see if linked correctly.
2. If the DMX address is showing but no response to the controller, check the address settings and DMX polarity.
3. Try another DMX controller.

### C. No response to the sound

1. Make sure the unit is not receiving a DMX signal.
2. Check the microphone to see if it is good by tapping it. The microphone is located on the bottom plate of the unit.

## 5. Fixture Cleaning

The cleaning of external optical lenses must be carried out periodically to optimize light output. Cleaning frequency depends on the environment in which the fixture operates: damp, smoky or particularly dirty surrounding can cause a greater accumulation of dirt on the unit's optics.

Clean with a soft cloth using normal glass cleaning fluid or mild soapy water.

- Always dry the parts carefully.
- Clean the external optics at least every 20 days.