

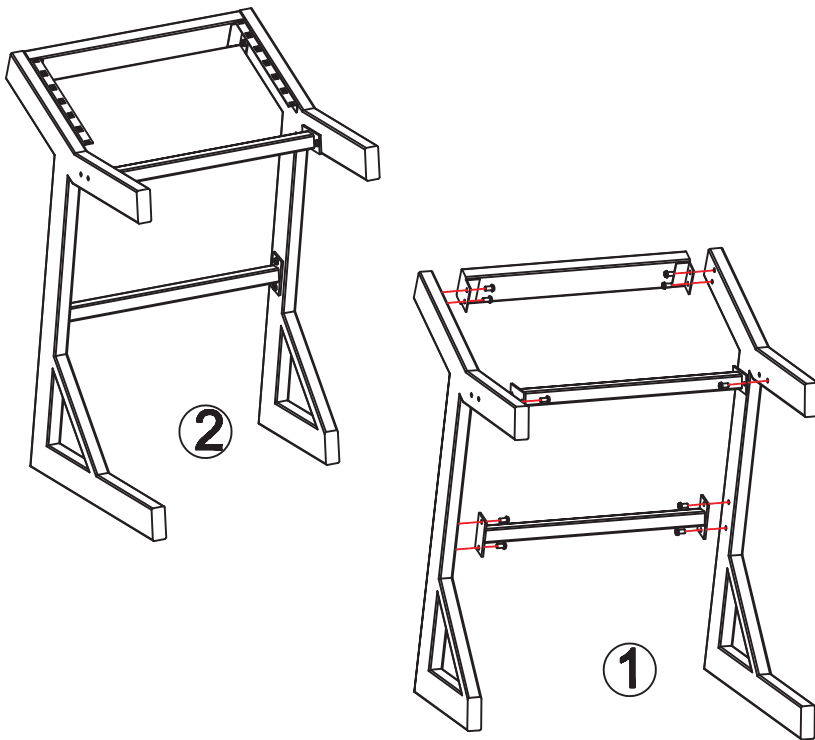
Pro Audio Studio Desk by Gear4music, 12U

Assembly Guide

SWS-180

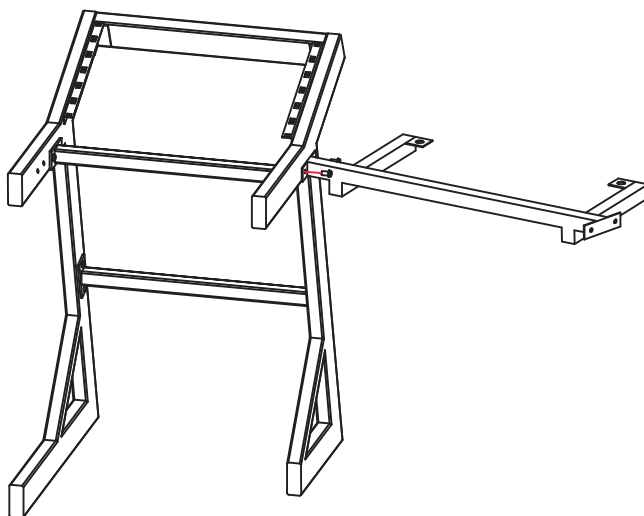
Step 1 of 6

Assemble the side legs together using the crossbars, as pictured.



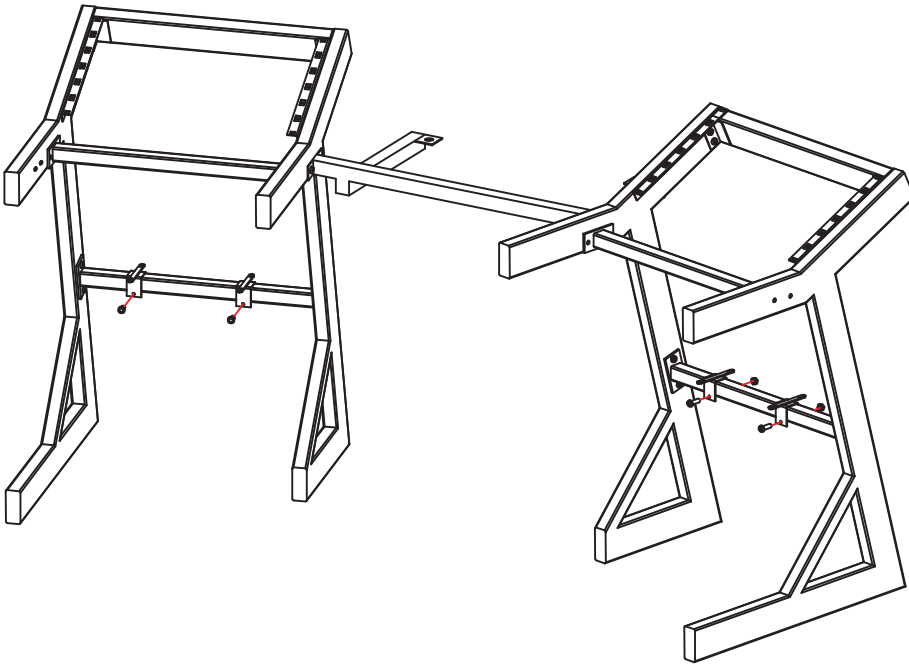
Step 2 of 6

Connect the two side racks with the middle crossbar.



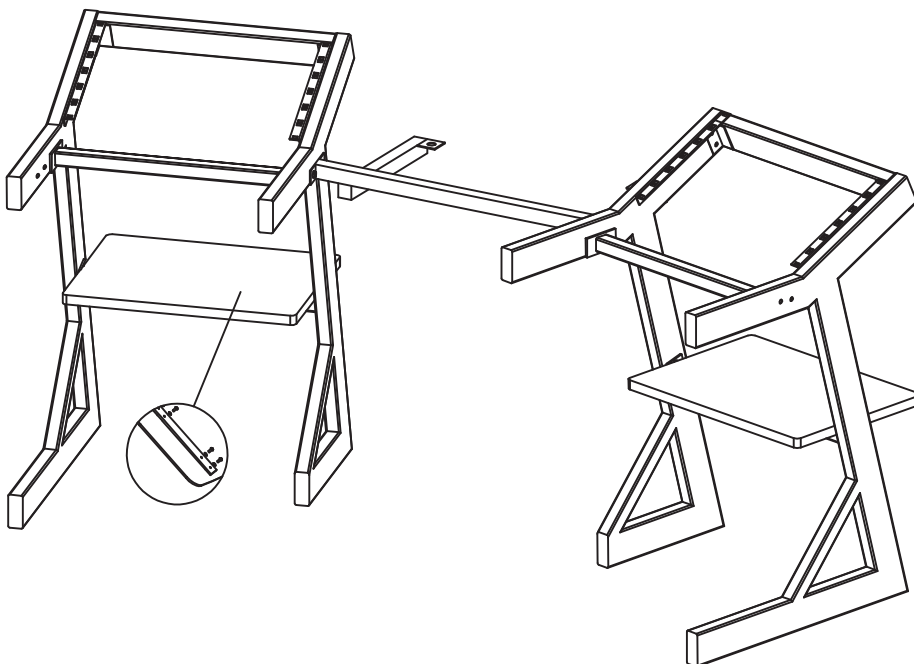
Step 3 of 6

Once the two side racks are connected by the middle crossbar, add the mounting support on the bottom crossbars, as pictured.



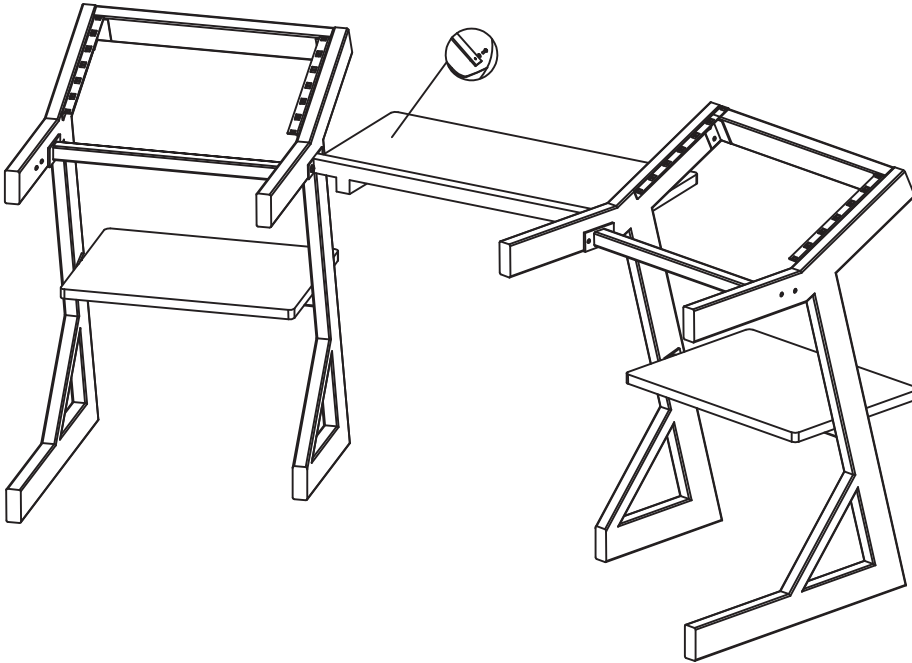
Step 4 of 6

Place the bottom shelves on the bottom crossbars using screws to fix in place.



Step 5 of 6

Attach the back shelf the SWS-180 as pictured, choose the depth and fix using screws.



Step 6 of 6

Place the main shelf on the unit and fix in place with screws.

