

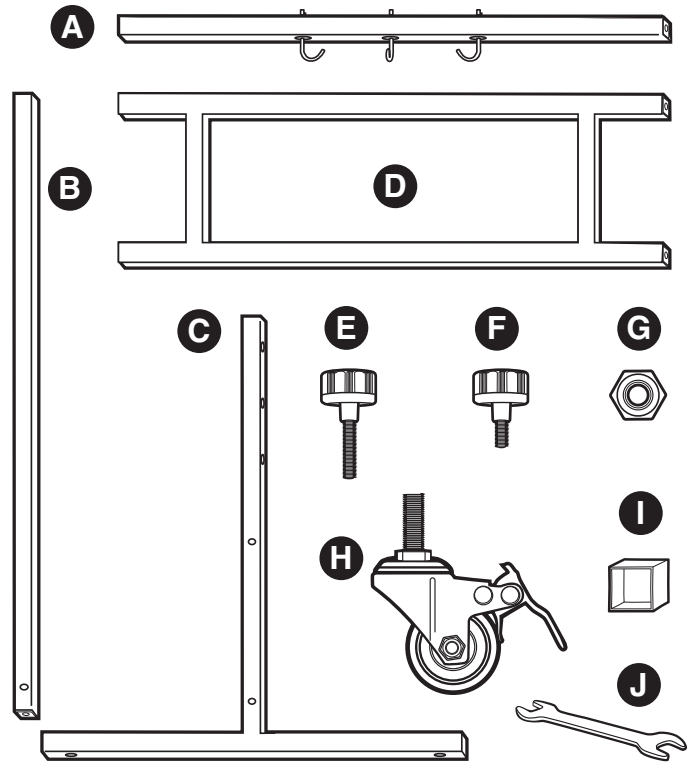
Standard and Large Gong Stand Assembly Instructions

Parts

- A** Top hanging bar (x1)
- B** Top side bar (x2)
- C** Bottom side T-bar (x2)
- D** Base dual horizontal stabilization bar (x1)

Assembly connectors and wheels:

- E** Long knob (x6)
- F** Short height adjustment knob (x2)
- G** $\frac{5}{8}$ " Nut (x8)
- H** Locking casters (x4)
- I** Rubber end caps (x4)
- J** $\frac{5}{8}$ " Wrench



Base Assembly

Step 1

Place nut (G) over screw on caster (H).

Step 2

From bottom side of T-Bar (C), remove rubber end cap (I). Place nut over hole inside bottom T-bar while inserting the caster screw through bottom T-bar hole on the other side, making sure it fits tightly against base of T-bar.

Step 3

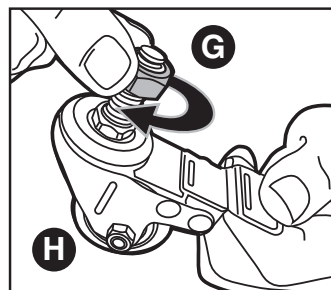
Take adjustable wrench and tighten nut between caster and T-bar (on the outside) towards T-bar until snug.

Step 4

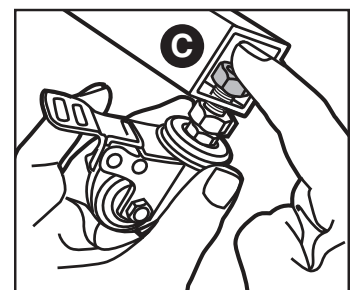
Repeat steps 1 - 3 to other side of T-bar and remaining T-bar.

Step 5: Lock all assembled casters and replace rubber end caps.

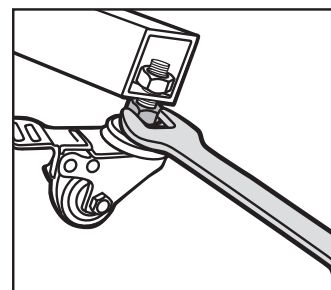
Step 1



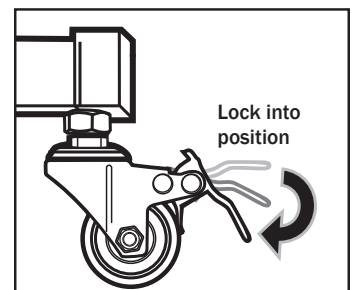
Step 2



Step 3

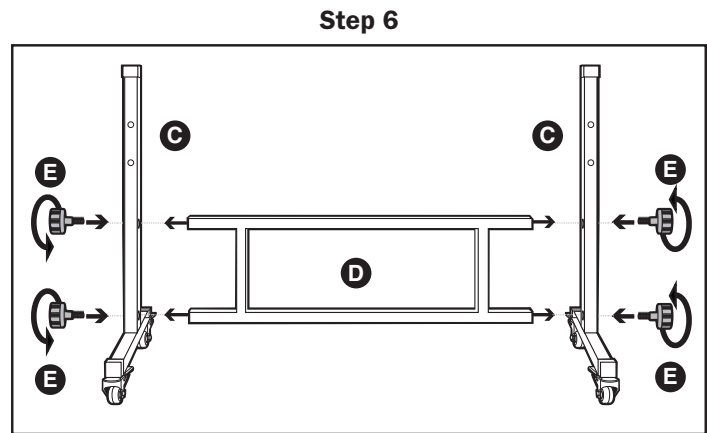


Step 5



Step 6

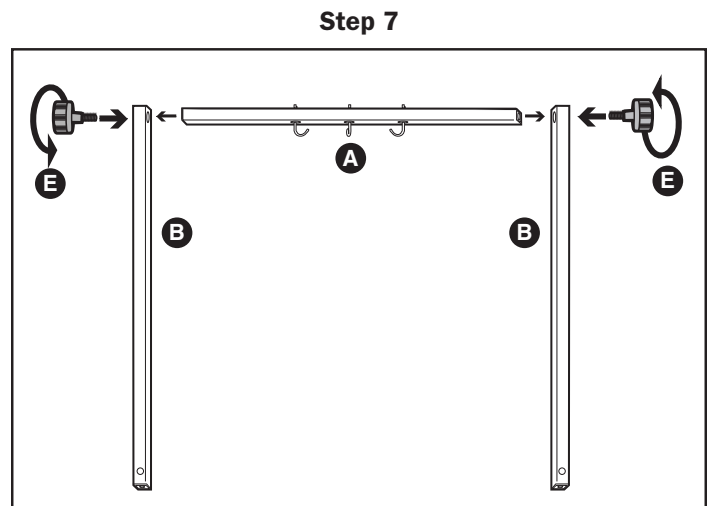
Align base dual horizontal stabilization bar (D) with holes on bottom side T-bar (C). Use long knob (E) to attach stabilization bar to side T-bar. Do not fully tighten knobs. Remember to make the connections snug only, final tightening will come when fully assembled.



Top Assembly

Step 7

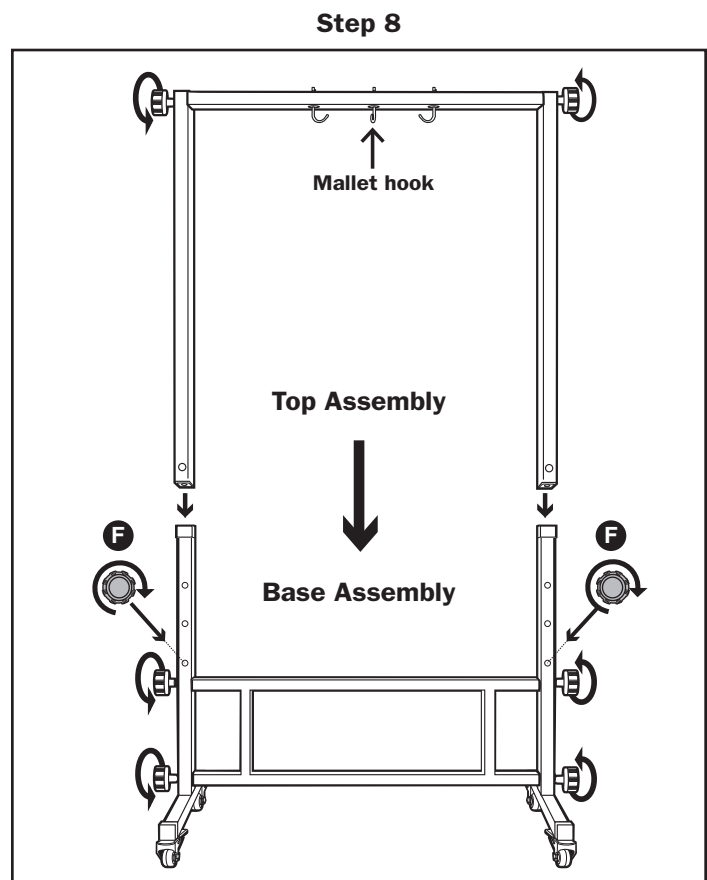
Place top hanging bar (A) on floor or flat surface, and place top side bars (B) next to the end of the top hanging bar. Make sure side holes on side bars align with holes on end of top hanging bar. Also that the bottom of the side bar hole faces you. Use long knob (E) to attach bars.



Top Assembly to Base Assembly

Step 8

Place assembled top side bars into assembled bottom T-bars (making sure hole on bottom of the top side bars are facing the same side as the 3 height adjustable holes in the base of the T-bar). Choose one of the height-adjustment openings on both side bars into which to place the short height adjustment knobs (F).



Final Steps

Tighten all screw knobs. Hang the gong of your choice on the stand.

Assembled Gong Stand

