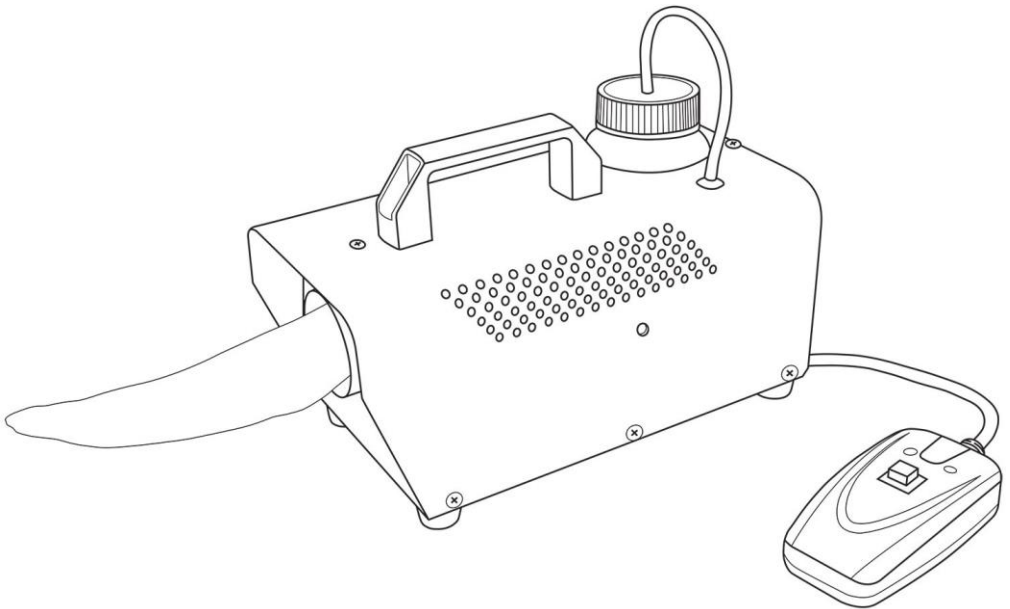


SW400

Compact Snow Machine

Item ref: 160.567UK

User Manual





Caution: Please read this manual carefully before operating
Damage caused by misuse is not covered by the warranty

Introduction

Thank you for choosing the SW400 compact snow machine as part of your stage effects system. This product is designed to offer professional quality performance in a neat and manageable format.

Please read these instructions in full to gain the best results from this item and avoid damage to the unit through misuse.

Unpacking

Your SW400 should reach you in good condition and should be supplied with IEC mains lead(s), mounting bracket and a wired handheld remote control.

If there are any signs of damage or items missing from the packaging, contact your dealer immediately.

Warning

To prevent risk of fire or electric shock, do not expose electrical parts to rain or moisture. If liquids are spilled on the housing or through the vents, disconnect the mains, allow the SW400 to dry out and have it checked by qualified personnel before further use.

Avoid any impact, dropping or extreme pressure to the housing.

No user serviceable parts inside - do not open the case.

Refer all servicing to qualified service personnel.

Placement

The SW400 has a built-in fluid tank and should be operated in an upright position.

If free-standing, ensure that the SW400 is positioned on a stable, non-slip surface.

If mounted at height, use the integral bracket and it is advisable to add a safety cable.

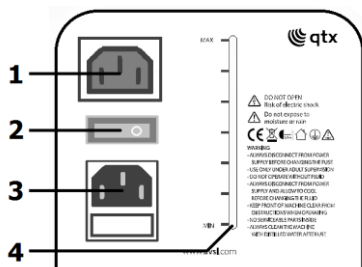
Safety

- Check for correct voltage and condition of IEC lead before connecting to a power outlet
- Check the condition of the remote lead and ensure that it is not trapped
- This unit must be earthed
- Do not cover the vents on the housing. Good air-flow must be maintained.

Cleaning

- Use a soft dry or slightly damp to clean the casing
- Do not use strong solvents for cleaning the unit
- Cleaning periodically by running clean or distilled water through the unit is advisable

Rear Panel



- 1 Remote control connection (IEC female)
- 2 Mains power on/off rocker switch
- 3 Mains inlet (IEC male) and fuse holder
- 4 Snow fluid fill level indication

Setting up

The SW400 requires snow fluid to produce the effect.

It is recommended to use one of the range of qtx snow fluids for best results.

A chart for recommended snow fluids is included further along in this document

- Unscrew the top cap of the tank and remove to fill with the selected snow fluid
- Replace the cap and close securely, ensuring the pipe is fed down to the bottom of the bottle so a consistent flow of fluid is supplied to the machine
- Connect the supplied remote control to the female IEC on the rear panel (1)
- Connect the IEC mains plug to an appropriate mains power supply (3)

Operation

- Check the snow fluid level indicator at the rear and fill if necessary (4)
- Switch the mains power on (2)
- To produce the snow effect, press the button on the remote control.
- During prolonged use, periodically check that the fluid level is not empty
- Switch off when not in use. Unplug from mains if not in use for long periods

Warning

Snow fluid is detergent-based and is non-toxic. However, the foam produced can stain materials if left too long and should not be ingested. Floor surfaces may become slippery with the residue and should be cleaned and spraying onto walking areas or dance floors should be avoided.

Specifications

Power supply	220-240Vac, 50/60Hz (IEC)
Power consumption	410W
Tank capacity	1.2 litres
Range	3 - 5m
Remote control	Momentary switch, IEC connection
Dimensions	220 x 150 x 125mm
Weight	1.7kg

Troubleshooting

No light on mains switch	Check mains voltage is correct and socket is switched on
	Check IEC lead is OK and connected properly
	Check mains fuse and fuse in plug top
	If fuse blowing repeatedly, refer to qualified service personnel
Remote light stays off	Check remote is connected properly
	If light is permanently off, refer to qualified service personnel
Remote light indicator lights but no snow output	Check snow fluid level
	If fluid is OK and pump working, the lines may be blocked
	Check that nozzle is not blocked or obstructed
	If blocked, clean with distilled water



Disposal: The "Crossed Wheelie Bin" symbol on the product means that the product is classed as Electrical or Electronic equipment and should not be disposed with other household or commercial waste at the end of its useful life. The goods must be disposed of according to your local council guidelines

*Errors and omissions excepted.
Copyright© 2017. AVSL Goup Ltd*

Effects Fluid Chart

Bubble Fluid		Results		For use with				
Stock Code	Volume	Description	Results		For use with			
160.574UK	1 Litre	Bubble fluid	Light, long-lasting bubbles		160.462UK, 160.560UK			
160.575UK	5 Litre				160.562UK, 160.563UK			
160.576UK	1 Litre	UV bubble fluid	Light bubbles which glow in UV light		160.564UK			
160.577UK	5 Litre							
Snow Fluid		Results		For use with				
Stock Code	Volume	Description	Results		For use with			
160.578UK	1 Litre	Snow fluid	High quality snow fluid. Lasts 30% longer than other standard fluids		160.565UK, 160.569UK			
160.579UK	5 Litre							
Fog Fluid		Results		For use with				
Stock Code	Volume	Description	Colour	Dispersion	Density	Stability	Fog colour	For use with
160.643UK	1 Litre	Standard fog fluid	Yellow	Quick	Light	Low	White	160.452UK, 160.453UK, 160.461UK
160.582UK	5 Litre							
160.587UK	1 Litre	High grade fog fluid	Orange	Slow	Medium	Good	White	or any machine up to 900W
160.588UK	5 Litre							
160.644UK	1 Litre	High quality fog fluid	Pink	Slow	High	Good	Thick white	160.455UK, 160.456UK, 160.457UK
160.583UK	5 Litre	Premium fog fluid	Clear	Slow	Very high	Excellent	Opaque White	or any machine 1000-1500W
160.592UK	1 Litre	Low level fog fluid	Clear	Slow	Highest	Excellent	Opaque White	160.447UK
160.593UK	5 Litre							
160.670UK	20ml	Fog machine cleaner	Clear		Extends life of your fog machine			All fog machines
Haze		Results		For use with				
Stock Code	Volume	Description	Colour	Dispersion	Density	Stability	Haze colour	For use with
160.590UK	1 Litre	High quality haze fluid	Clear	Slow	High	Good	Thick white	160.458UK, 160.459UK
160.591UK	5 Litre							160.462UK, 160.465UK