

Installation

1. Plan an installation. We've included two potential wiring diagrams from Stephen and ESP Guitars. Additional diagrams are available at www.fishman.com.

Stephen's personal diagram uses a standard 3-way selector to simultaneously switch pickups and voicing as follows: Position 1- Bridge Pickup, Voice 1. Position 2- Bridge pickup Voice 2. Position 3- Neck Pickup, Voice 2.

2. Test fit the components to make sure that each will fit in the allocated locations, or modify the instrument until the fit is correct and all the controls can be located without issue.

3. Fishman Fluence multi-voice pickups require a 9-volt battery or one of the available Fluence rechargeable battery packs. Check the fit of your chosen power method into the control cavity.

4. Pickup Voicing and High Frequency Tilt (HF Tilt) are selected by connecting their leads to Ground. Stephen doesn't use HF Tilt (disconnected) in his diagram, and his pickup voicing is automatically selected at each of his three positions. However you can use these features, either switchable or fixed, as indicated in our standard wiring diagram or by creating a custom plan with your installer.

5. Once your final wiring diagram has been chosen and your parts are laid out, complete the soldering, mount and secure all your components and test your completed installation before assembly. Be sure the push connectors are plugged in the correct way and that the little arrow (triangle) imprinted onto the top left side of the connector matches the one on the connector. Then plug in and play!

Ceramic Bridge Pickup Peak Frequency:

Voice 1 - 750Hz Voice 2 - 1.4kHz

Alnico Neck Pickup Peak Frequency:

Voice 1 - 630Hz Voice 2 - 550Hz / 8kHz

INSTALL GUIDE STEPHEN CARPENTER SIGNATURE 7 & 8 STRING HUMBUCKER SET



Overview

These instructions provide installation options for the Fishman Fluence Stephen Carpenter signature pickups. This system includes controls required for a number of different install combinations. But these instructions are not comprehensive. A skilled electronics technician may interpret this overview to create a wider range of installation options.

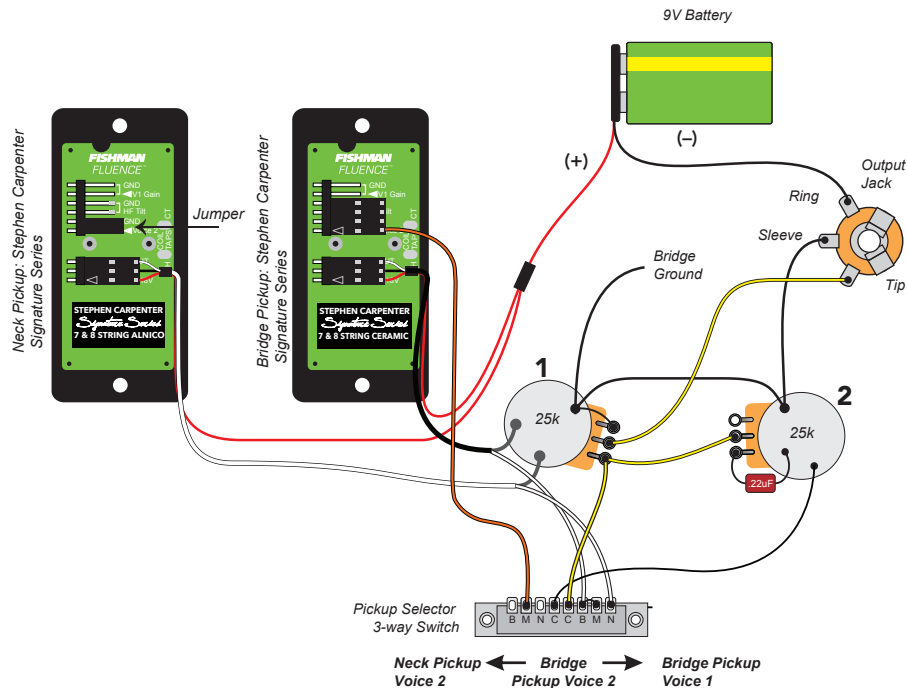
Installation Warning!

By self-installing and/or misusing this product, you understand and agree that and such uses are high risk activities and, to the extent permitted by law, YOU EXPRESSLY AND VOLUNTARILY ASSUME THE RISK OF DEATH OR OTHER PERSONAL INJURY SUSTAINED WHILE PARTICIPATING IN SUCH ACTIVITIES WHETHER OR NOT CAUSED BY THE NEGLIGENCE OR ANY OTHER FAULT of Fishman, including but not limited to equipment malfunction from whatever cause, or any other fault of Fishman. Additionally, you agree to indemnify, defend and hold Fishman harmless from any third party claims arising from such activities.

FISHMAN FLUENCE™

CAUTION! Excessive pressure may puncture the battery. Isolate all components during installation to eliminate shorting or risk of fire.

Stephen Carpenter Signature 7 & 8 String Pickup Set
 Stephen Carpenter Preferred Wiring Diagram
 Use 3-way selector for voice switching



FISHMAN FLUENCE™

CAUTION! Excessive pressure may puncture the battery. Isolate all components during installation to eliminate shorting or risk of fire.

Stephen Carpenter Signature 7 & 8 String Pickup Set
 ESP Preferred Wiring Diagram
 1 x Volume, 1 x Tone
 Volume: Pull Voice - 2 for both pickups
 Blade style pickup selector

