



OPERATING & ASSEMBLY INSTRUCTION

powerCON® | Locking 3 pole Power Connector

A. OPERATING INSTRUCTION

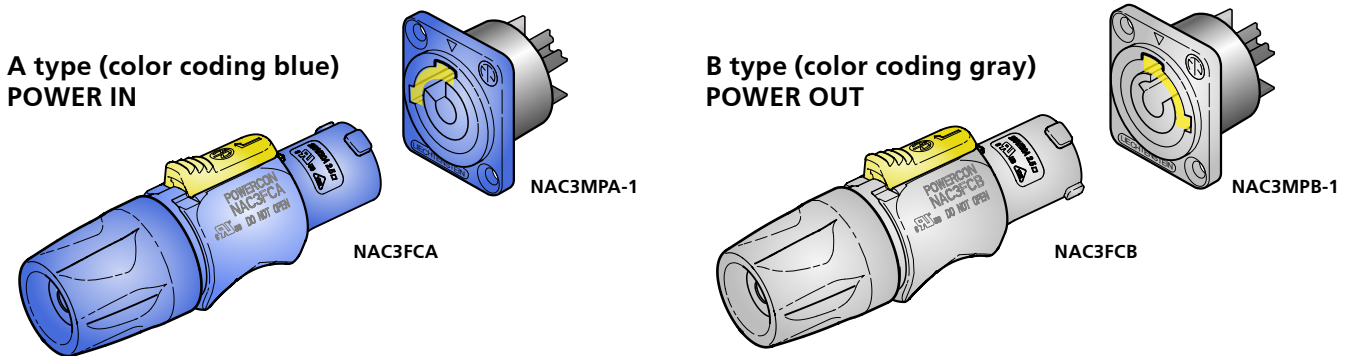
IMPORTANT SAFETY INSTRUCTION:

The powerCON system is certified as connector without breaking capacity according IEC 61984 / VDE 0627.

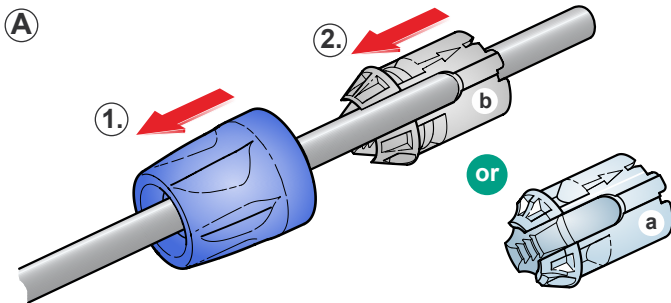
In this standard the term connector (without breaking capacity) refers to components which in normal use are not to be engaged or disengaged when under load or live.

Connector Combination & Keyways:

With the two non-interchangeable types of connectors (A type and B type) it is impossible to produce a short circuit. Mating connectors (combination) are identified by mechanical keyways and by color.

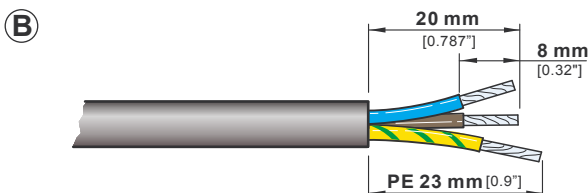


B. ASSEMBLY INSTRUCTION



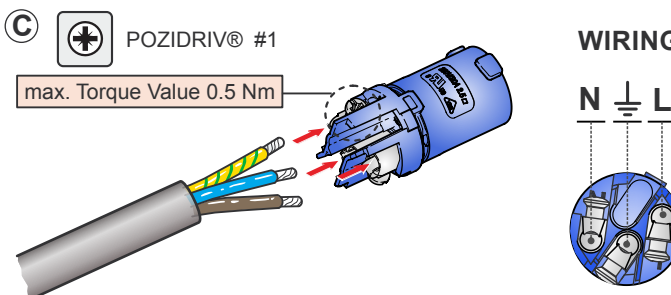
A Place the bushing (1) and the chuck (2) over the cable.

White chuck (a): 6.0 - 11.0 mm [0.236 - 0.433"]
 Black chuck (b): 9.5 - 15.0 mm [0.374 - 0.59"]
 VDE: 9.5 - 14.0 mm [0.374 - 0.551"]



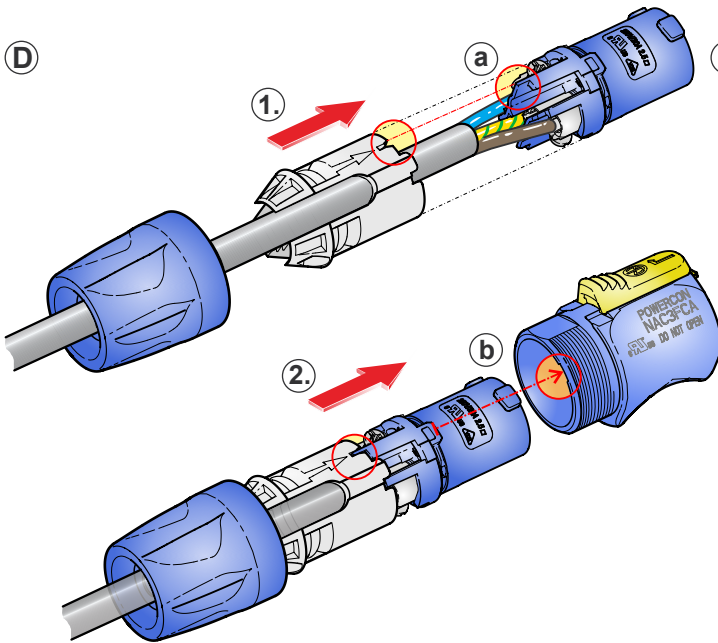
B Prepare the cable as shown.

Cable O.D.: 6.0 - 15.0 mm [0.236 - 0.59"]
 Wire size: 2.5 mm² (AWG 14)



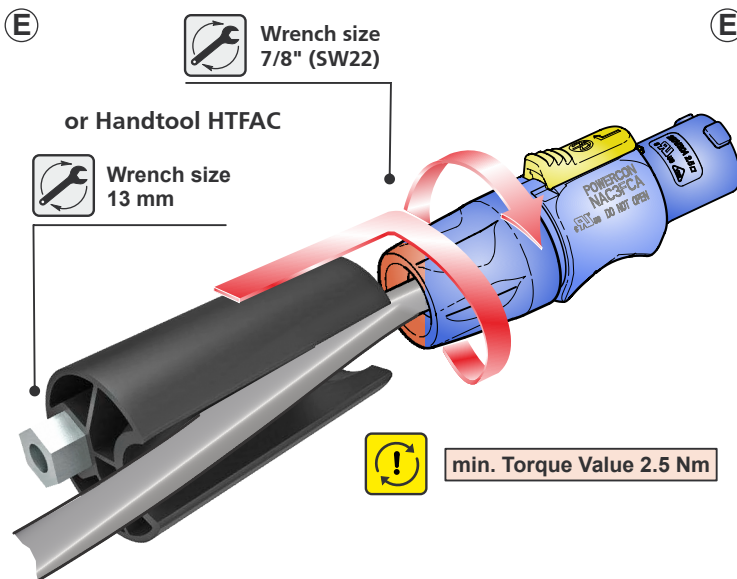
C Insert the wire into the terminals and fasten the clamping device with a POZIDRIV® #1, max. Torque 0.5 Nm (0.37 lb-ft).





D Slide the insert and the chuck (1) into the housing (2).

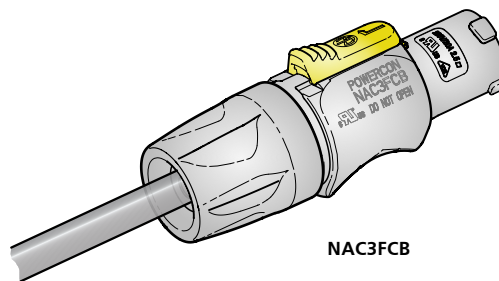
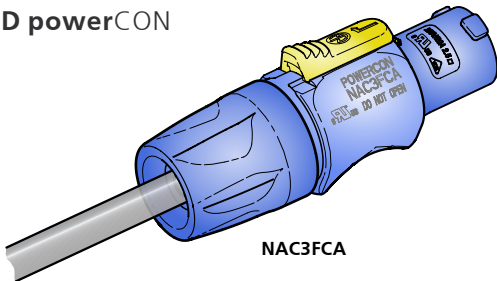
Important:
 (a) Align the chuck by positioning the nose into the recess.
 (b) Pay attention to the guiding keyway!



E Fasten bushing by means of a fork wrench 7/8" (SW 22) or with the Neutrik handtool HTFAC, min. Torque 2.5 Nm (1.8 lb-ft).

OPTION:
Use the Neutrik handtool Art. No. HTFAC to tighten the bushing.

FINISHED powerCON



Find more details of powerCON on www.neutrik.com.

NEUTRIK AG	LI	T: +423/237 24 24	F: +423/232 53 93	NEUTRIK France	FR	T: +33 1/4131 6750	F: +33 1/4131 0511
NEUTRIK USA Inc.	USA	T: +1 704 / 972 3050	F: +1 704/438 9202	NEUTRIK Tokyo Ltd.	JP	T: +81 3/3663 4733	F: +81 3/3663 4796
NEUTRIK (UK) Ltd.	UK	T: +44 1983 / 811 441	F: +44 1983/811 439	NEUTRIK Hong Kong Ltd.	HK	T: +852/2687 6055	F: +852/2687 6052
NEUTRIK Vertriebs GmbH	DE/NL/AT/DK	T: +49 8131 / 280 890	F: +49 8131/280 830	NEUTRIK India Pvt. Ltd.	IND	T: +91/982 05 43 424	F: +91/22 26163 540

Draft. Nr.: BDA 452 | Update: 04.12.2017 | Data subject to change without prior notice. ©2017 NEUTRIK®. ALL RIGHTS RESERVED. NEUTRIK® is a registered trademark.