

A close-up photograph of a male musician with dark skin and short hair, wearing a dark long-sleeved shirt. He is playing a white Fishman electric guitar with a dark fretboard. The background is dark with a stage light visible in the upper left. The text 'INSTALL GUIDE' is at the top left, 'TOSIN ABASI SIGNATURE 6 7 & 8 STRING' is in the middle left, and 'HUMBUCKER SET' is at the bottom left. The Fishman logo is in the bottom right.

INSTALL GUIDE
TOSIN ABASI SIGNATURE 6 7 & 8 STRING
HUMBUCKER SET

FISHMAN[®]

Installation

Note: To ensure proper function and reliability, professional installation by an experienced technician is strongly recommended.

1. Plan the installation. We've included a wiring diagram from Tosin's signature Ibanez guitar along with two additional diagrams. More diagrams are available at www.fishman.com.

Tosin's personal diagram uses a standard 5-way super-switch (4-pole, 5-position) to simultaneously select pickups and activate single coil voicings as follows:

- 1 - Bridge Humbucker (Voice-2 default, Pull Volume for Voice-1)
- 2 - Bridge & Neck, inside coils, hum cancelling (Single Coil Voice-3 from Bridge pickup)
- 3 - Bridge & Neck Humbuckers (Voice-2 default, Pull Volume for Voice-1)
- 4 - Neck Pickup, neck-side coil (Single Coil Voice-3 from Neck pickup)
- 5 - Neck Humbucker (Voice-2 default, Pull Volume for Voice-1)

2. Test fit the components to make sure that each will fit in the allocated locations, or modify the instrument until the fit is correct and all the controls can be located without issue.
3. Fishman Fluence multi-voice pickups require a 9-volt battery or one of the available Fluence rechargeable battery packs. Check the fit of your chosen power method into the control cavity.
4. Mount and secure the components, then make all solder connections according to the diagram. Secure the push connectors to the pickups, making sure the polarity is correct by aligning the arrow marker (triangle) imprinted onto the top left side of each push connector to the arrow marking on the pickup. Mount the pickups in the guitar and restring.
5. Plug in and play!

Ceramic Bridge Pickup Peak Frequency Specs:

Voice 1 - 750 Hz Voice 2 - 1.4 kHz Voice 3 (single coil) - 7.8kHz

Alnico Neck Pickup Peak Frequency Specs:

Voice 1 - 420Hz Voice 2 - 1.6 kHz Voice 3 (single coil) - 5.8kHz

Technical Notes – Voice Select Functions

“Voice-2” Select Pin – This contact selects Voice-2 when connected to ground via switch. If open (not connected) the pickup defaults to Voice-1. This is a control pin only, so there is no signal present. Therefore, it can be combined with Voice-2 control pins from multiple Fluence pickups on the same switch contact if need be without interaction. (This can help simplify switch requirements in some cases.)

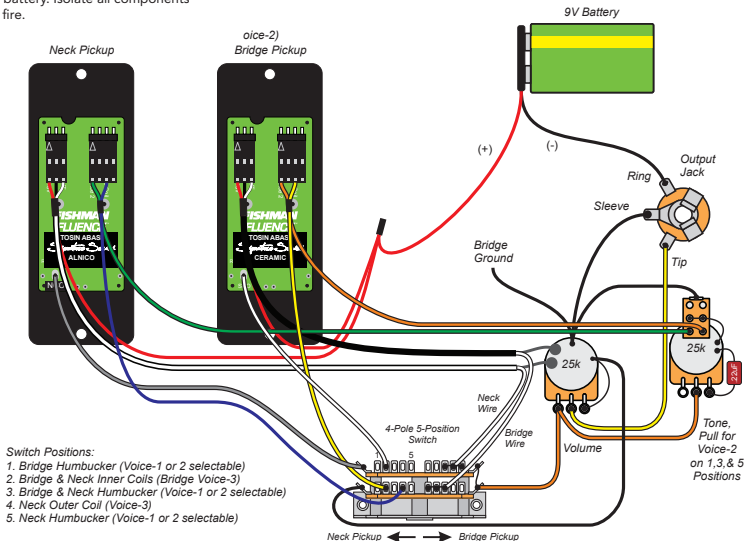
“Single Coil” Voice-3 Select Pin – This contact selects Voice-3 Single Coil mode when connected to ground via switch. If open (not connected) the pickup defaults to Voice-1/Voice-2 as selected by the Voice-2 pin. Voice-3 Single Coil mode overrides the setting of the Voice-2 pin when activated. In Voice-3 Single Coil mode, the active coil is the one closest to the neck for both Bridge and Neck pickups. In the same way as the Voice-2 pin, “Single Coil” Voice-3, it can be combined with “Single Coil” control pins from multiple Fluence pickups on the same switch contact without interaction.

“SCO” and “NCO” Solder Pads – These stand for “South Coil Out” for the Bridge pickup and North Coil Out” for the Neck. These are used on Tosin’s switch position-2 to connect the inner coils together while feeding the signal through the Bridge pickup in Voice-3 Single Coil mode.

FISHMAN FLUENCE™

CAUTION! Excessive pressure may puncture the battery. Isolate all components during installation to eliminate shorting or risk of fire.

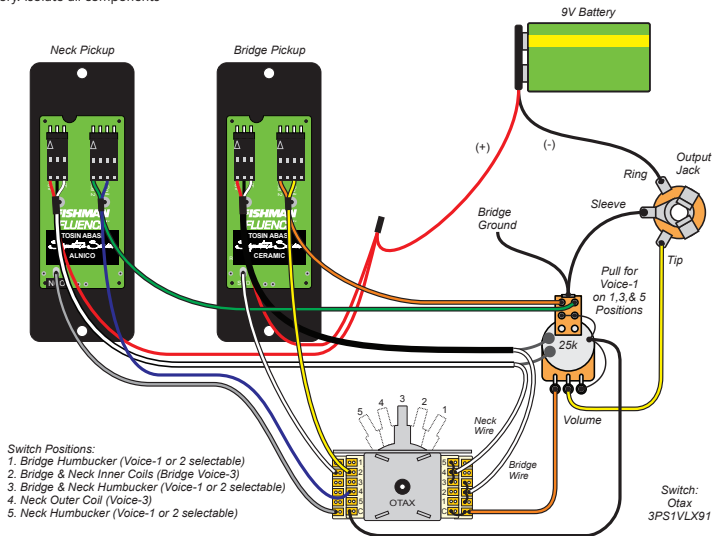
Tosin Abasi Signature 6 7 & 8 String Pickup Set
Fishman Recommended Wiring Diagram
Use 5-way Super Switch Selector
1xVolume, 1xTone (pull for humbucker Voice-2)



FISHMAN FLUENCE™

CAUTION! Excessive pressure may puncture the battery. Isolate all components during installation to eliminate shorting or risk of fire.

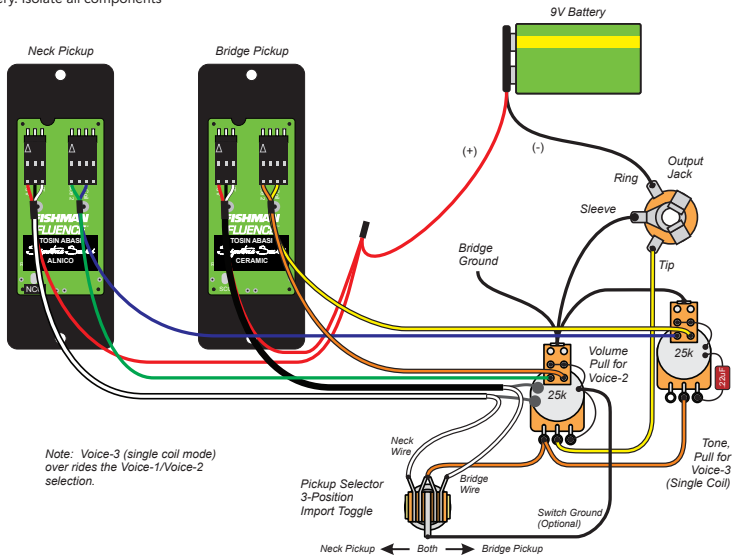
*Tosin Abasi Signature 6 7 & 8 String Pickup Set
Tosin Abasi Preferred Wiring Diagram
Use 5-way Otax Super Switch Selector*



FISHMAN FLUENCE™

CAUTION! Excessive pressure may puncture the battery. Isolate all components during installation to eliminate shorting or risk of fire.

Tosin Abasi Signature 6 7 & 8 String Pickup Set
Fishman Recommended Wiring Diagram
3 Way Toggle Switch
1xVolume (pull for humbucker Voice-2)
1xTone (Pull for Voice-3)



FISHMAN[®]

fishman.com