

## Install Speakers

# DUBLIN TCX118B

18" Band Pass Subwoofer for Portable PA and Installation Applications

- Band pass subwoofer for portable PA and installation applications
- 1,000 Watts continuous, 4,000 Watts peak power
- Double suspension 18" low frequency driver with inside/outside wound coil
- Low distortion dual port design for maximum sound pressure level
- 15 mm (5/8") birch plywood enclosure with hard wearing semi matt black paint finish
- Integral M10 rigging points for ease of installation
- 35 mm pole mount to support satellite speaker
- Neutrik speakON\* NL4 and barrier strip connectors
- 3-Year Warranty Program\*
- Designed and engineered in England

The DUBLIN TCX118B is a 4,000 Watt 18" dual ported bandpass enclosure that is optimally tuned for extended low frequency response. Engineered to work in conjunction with **TURBOSOUND** loudspeaker management systems, the TCX118B provides very high output FOH performance and is ideally suited for a wide range of music and live sound reinforcement applications.



## Custom-Engineered Drivers

**TURBOSOUND** is recognised the world over for designing and building some of the most iconic loudspeakers and subwoofers. We take meticulous care and pride in maintaining that reputation by utilising only drivers designed specifically for each application – it's what sets us apart from the competition.

The TCX118B features a powerful, double suspension 18" low frequency driver that utilises a special inside/outside wound voice coil for higher magnetic density, better heat dissipation, high power handling capacity, and improved efficiency. For its size and operating bandwidth, the TCX118B delivers extremely high and virtually distortion-free output for world-class low frequency performance that will stand the test of time.

## Install Speakers

# DUBLIN TCX118B

18" Band Pass Subwoofer for Portable PA and Installation Applications

### Bandpass Enclosure Design

Bandpass enclosures are extremely efficient, creating maximum bass output within a specific frequency range by increasing the acoustic load presented to the driver. The low distortion bandpass design utilised in the TCX118B reinforces the bass musical instrument frequencies, and steep cut-off slopes ensure an effective acoustic transition for use with DUBLIN Series full-range loudspeakers. A typical application could consist of a TCX118B providing the low-frequency bass extension for one, or two DUBLIN Series top cabinets.

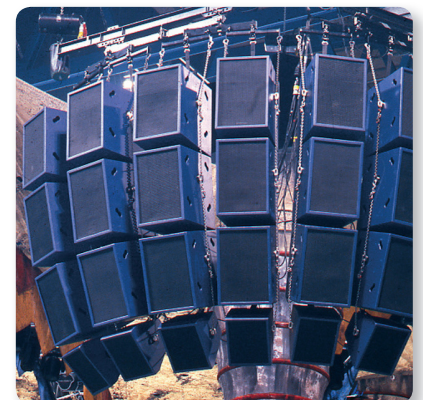


### Construction and Connectivity

Constructed from 15 mm (5/8") birch plywood, the cabinet is available in hard wearing semi matt black or optional white textured paint, and includes internal M10 threaded rigging points that allow it to be suspended in permanent installations using M10 eyebolts. A pole mount socket is provided to allow two way cabinets to be mounted at the correct height above the subwoofer. The rear connector panel provides two Neutrik speakON\* NL4 connectors for input and link functions, wired in parallel with a 4-way barrier strip connector.

### Rock-Solid Performance

Primarily designed for permanent installations such as houses of worship, banquet facilities, night clubs – and a host of other venues, the 4,000-Watt DUBLIN TCX118B puts touring-grade sound quality into a scalable loudspeaker system. In portable applications the subwoofer can be used with speaker stands or poles, carrying handles are provided for ease of installation and transportation.



Install Speakers

# DUBLIN TCX118B

18" Band Pass Subwoofer for Portable PA and  
Installation Applications



## You Are Covered

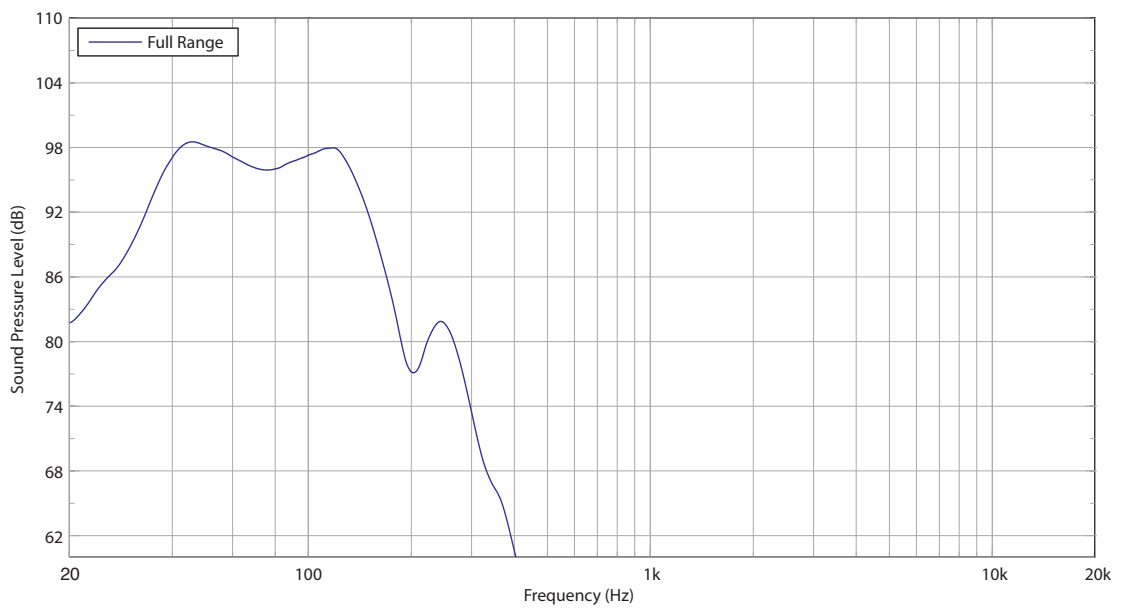
We always strive to provide the best possible Customer Experience. Our products are made in our own [MUSIC Group](#) factory using state-of-the-art automation, enhanced production workflows and quality assurance labs with the most sophisticated test equipment available in the world. As a result, we have one of the lowest product failure rates in the industry, and we confidently back it up with a generous [3-Year Warranty program](#).

## Install Speakers

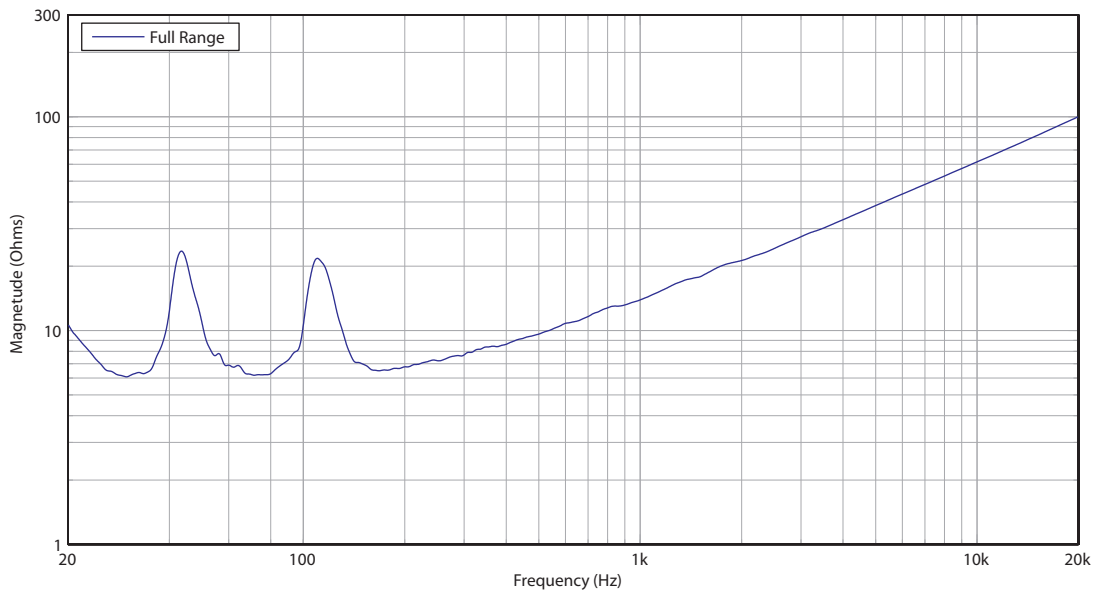
# DUBLIN TCX118B

18" Band Pass Subwoofer for Portable PA and Installation Applications

### Frequency Response Sensitivity 1 W / 1 m



### Impedance

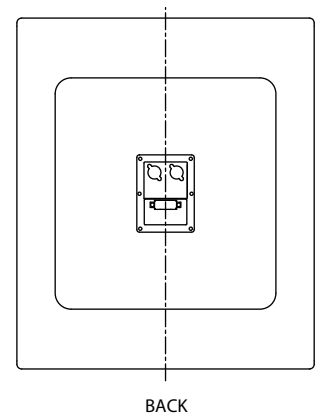
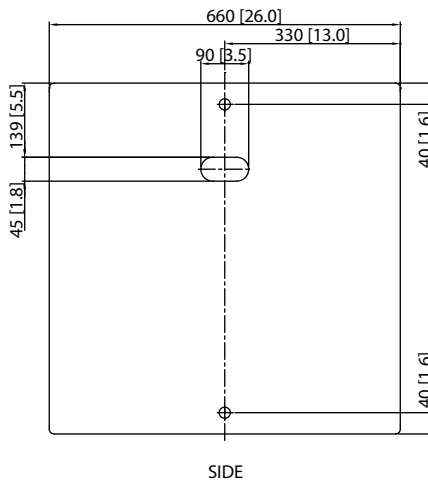
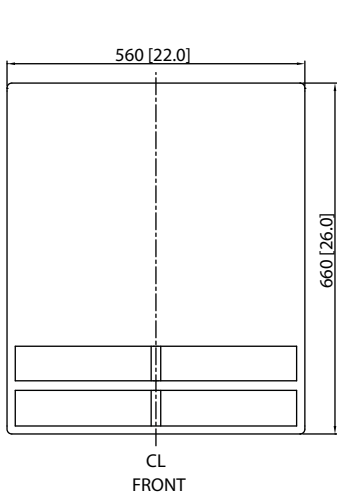
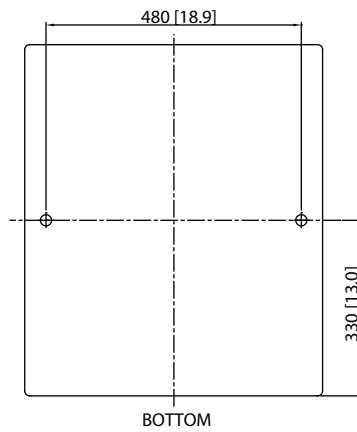
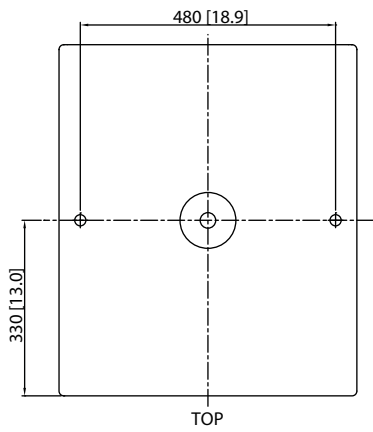


Install Speakers

# DUBLIN TCX118B

18" Band Pass Subwoofer for Portable PA and Installation Applications

## Dimensions



## Install Speakers

# DUBLIN TCX118B

18" Band Pass Subwoofer for Portable PA and Installation Applications

## Technical Specifications

### System

Frequency response	35 Hz - 125 Hz $\pm$ 3 dB 25 Hz - 170 Hz -10 dB
Nominal dispersion	Half space
Power handling (IEC)	1,000 W continuous, 4,000 W peak
Sensitivity	97 dB (1 W @ 1 m)
Maximum SPL	127 dB continuous, 133 dB peak
Impedance	8 $\Omega$
Components	1 x 18" (457 mm) LF driver

### Enclosure

Connectors	2 x Neutrik speakON* NL4, 1 x barrier strip terminals
Wiring	Pins 1+ / 1- input, pins 2+ / 2- link
Dimensions HWD	660 x 560 x 660 mm (26.0 x 22.0 x 26.0")
Net weight	38.6 kg (85.0 lbs)
Construction	15 mm (5/8") birch plywood
Finish	Semi matt black paint (white optional)
Grille	Powder coated perforated steel
Flying hardware	M10 x 8 Points

## Install Speakers

# DUBLIN TCX118B

18" Band Pass Subwoofer for Portable PA and  
Installation Applications

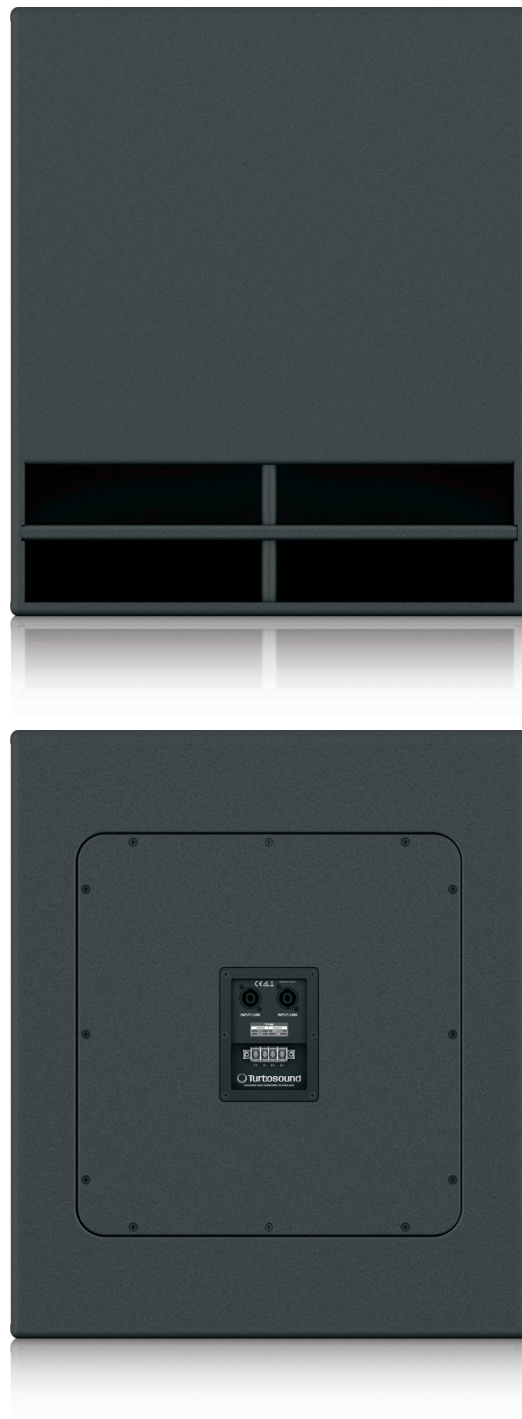
## Architecture & Engineering Specifications

The loudspeaker shall be of the passive subwoofer type consisting of one 18" (457 mm) LF driver. Performance specifications of a typical production unit shall meet or exceed the following: frequency response, measured with swept sine wave input, shall be flat within  $\pm 3$  dB from 35 Hz to 125 Hz and within -10 dB from 25 Hz to 170 Hz. Nominal dispersion, shall be Half Space. Nominal impedance shall be 8 Ohms. Power handling shall be 1000 Watts continuous, 4000 Watts peak. Sensitivity, measured on axis, mean averaged over stated bandwidth, shall be 97 dB, 1 Watt @ 1 metre. Maximum SPL (peak), measured at 1 metre with music program at stated amplifier input, shall be 133 dB. Dimensions: 660 mm high x 560 mm wide x 660 mm deep (26.0" x 22.0" x 26.0"). Net weight: 38.6 kg (85.0 lbs). The loudspeaker system shall be the [TURBOSOUND TCX118B](#). No other loudspeaker shall be acceptable unless submitted data from an independent test laboratory verifies that the above combined performance / size specifications are equalled or exceeded.

Install Speakers

# DUBLIN TCX118B

18" Band Pass Subwoofer for Portable PA and  
Installation Applications





Install Speakers

# DUBLIN TCX118B

18" Band Pass Subwoofer for Portable PA and  
Installation Applications



Install Speakers

# DUBLIN TCX118B

18" Band Pass Subwoofer for Portable PA and  
Installation Applications



TCX118B	
WIRING	PASSIVE
1+/1-	INPUT 8 Ω
2+/2-	L NK



For service, support or more information contact the TURBOSOUND location nearest you:

**Europe**  
**MUSIC Group Services UK**  
Tel: +44 156 273 2290  
Email: CARE@music-group.com

**USA/Canada**  
**MUSIC Group Services NV Inc.**  
Tel: +1 702 800 8290  
Email: CARE@music-group.com

**Japan**  
**MUSIC Group Services JP K.K.**  
Tel: +81 3 6231 0454  
Email: CARE@music-group.com

MUSIC Group accepts no liability for any loss which may be suffered by any person who relies either wholly or in part upon any description, photograph, or statement contained herein. Technical specifications, appearances and other information are subject to change without notice. All trademarks are the property of their respective owners. MIDAS, KLARK TEKNIK, TURBOSOUND, BEHRINGER, BUGERA and DDA are trademarks or registered trademarks of MUSIC Group IP Ltd. © MUSIC Group IP Ltd. 2015 All rights reserved.

