

Installation

1. Plan an installation. We've included two potential wiring diagrams from Willie Adler. **Additional diagrams are available at www.fishman.com.**
2. Test fit the components to make sure that each will fit in the allocated locations, or modify the instrument until the fit is correct and all the controls can be located without issue.
3. Fishman Fluence multi-voice pickups require a 9-volt battery or one of the available Fluence rechargeable battery packs. Check the fit of your chosen power method into the control cavity.
4. The pickup voicing options are selectable by connecting the associated wire to ground or leaving it floating (disconnected). They can be switch selectable as shown in our standard wiring diagrams or hard wired if only certain voice options are preferred. By creating a custom plan with your installer, there can be many additional control scheme possibilities.
5. Once your final wiring diagram has been chosen and your parts are laid out, complete the soldering, mount and secure all your components and test your completed installation before assembly. Be sure the push connectors are plugged in the correct way and that the little arrow (triangle) imprinted onto the top left side of the connector matches the one on the connector. Then plug in and play!

Bridge Pickup Peak Frequency:

Voice 1 - 640Hz

Voice 2 - 1.9kHz / 840Hz

Neck Pickup Peak Frequency:

Voice 1 - 2.6kHz

Voice 2 - 4.5kHz, 350Hz

Magnets:

Bridge - Ceramic 8 (Blade/Pole Hybrid)

Neck - Alnico V



Overview

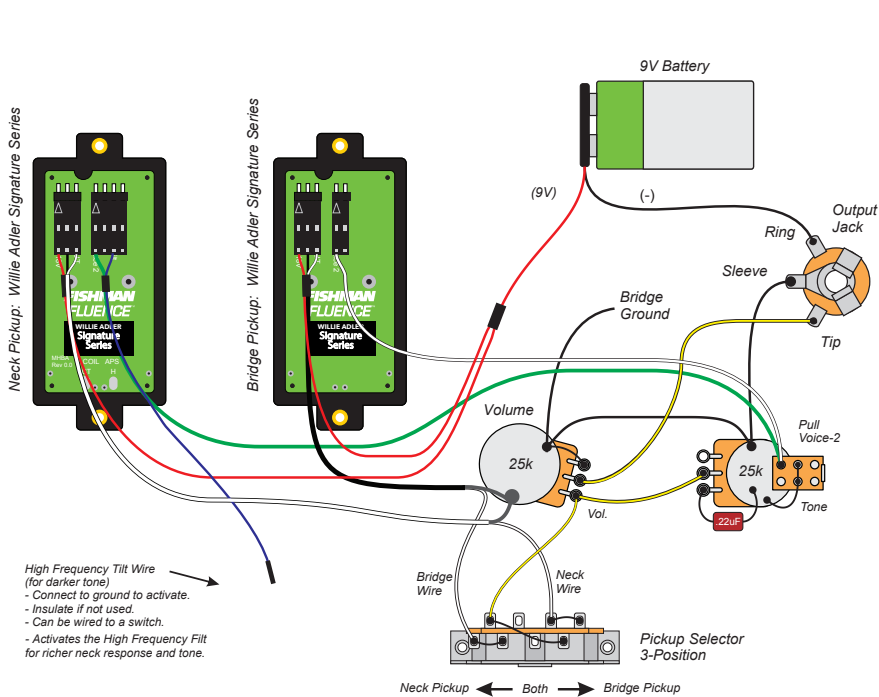
These instructions provide installation options for the Fishman Fluence Willie Adler Signature Series Pickups. This system includes controls required for a number of different install combinations. But these instructions are not comprehensive. A skilled electronics technician may interpret this overview to create a wider range of installation options.

Installation Warning!

By self-installing and/or misusing this product, you understand and agree that and such uses are high risk activities and, to the extent permitted by law, YOU EXPRESSLY AND VOLUNTARILY ASSUME THE RISK OF DEATH OR OTHER PERSONAL INJURY SUSTAINED WHILE PARTICIPATING IN SUCH ACTIVITIES WHETHER OR NOT CAUSED BY THE NEGLIGENCE OR ANY OTHER FAULT of Fishman, including but not limited to equipment malfunction from whatever cause, or any other fault of Fishman. Additionally, you agree to indemnify, defend and hold Fishman harmless from any third party claims arising from such activities.

CAUTION! Excessive pressure may puncture the battery. Isolate all components during installation to eliminate shorting or risk of fire.

Willie Adler Signature Series
 Recommended Wiring Scheme
 1x Volume, 1x Tone
 Tone: Pull Voice-2 for both pickups
 3-way Blade Style Pickup Selector



CAUTION! Excessive pressure may puncture the battery. Isolate all components during installation to eliminate shorting or risk of fire.

Willie Adler Signature Series
 Willie Adler Preferred Wiring Scheme
 2x Volume, 1x Tone
 Tone: Pull Voice-2 for both pickups
 3-way Toggle Pickup Selector

