

Rack mount kit for the SixPack 500 Series Power Frame

Part No. R700 9105 00

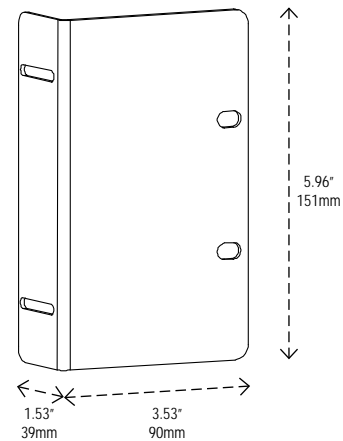
Thank you for purchasing the Radial SixPack rack mounting kit. This kit is designed to allow the SixPack 500 series power frame to be mounted in standard 19" equipment racks. The kit can also be used for in-desk mounting with a choice of either flush or angled control panel.

The kit is manufactured with 14 gauge steel to protect your SixPack and finished in a tough baked enamel. Elongated slots on the chassis flange allow the SixPack to be adjusted to fit a range of racks and desks.



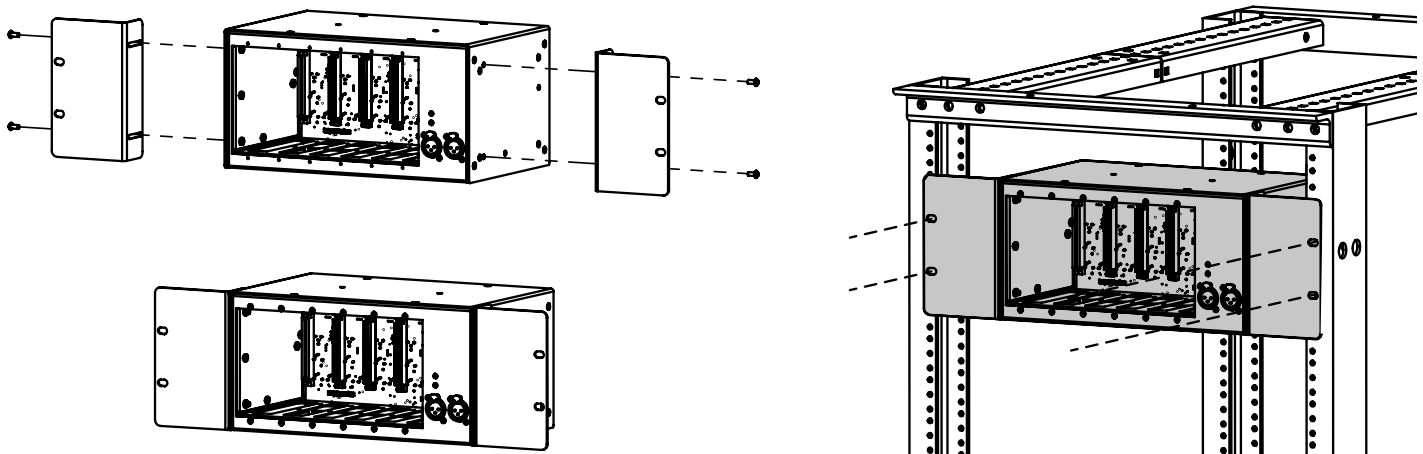
Kit contents:

QTY	Description	Used for
2	Metal rack adapter	Adapts the SixPack for 19" rack and in-desk mounting
4	#8-32 screws	Phillips machine screws used to fix the metal rack ears to the SixPack chassis



Rack mounting the SixPack

For mounting in standard 19" equipment racks, attach the kit to your SixPack as shown using the included #8-32 machine screws. You may also need to remove the four rubber feet on the bottom of the SixPack depending on the available space in your rack. After the kit is attached, your SixPack will require 4 rack spaces (4RU).



THREE YEAR TRANSFERABLE LIMITED WARRANTY

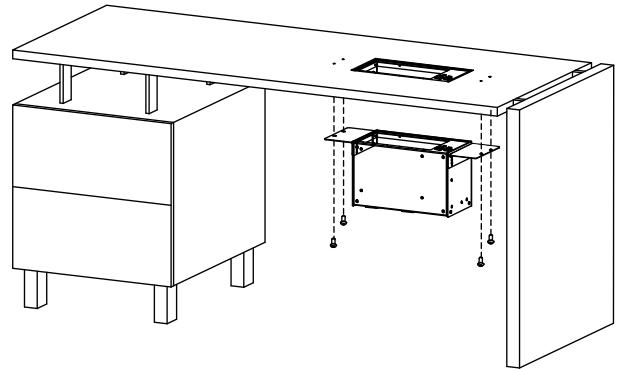
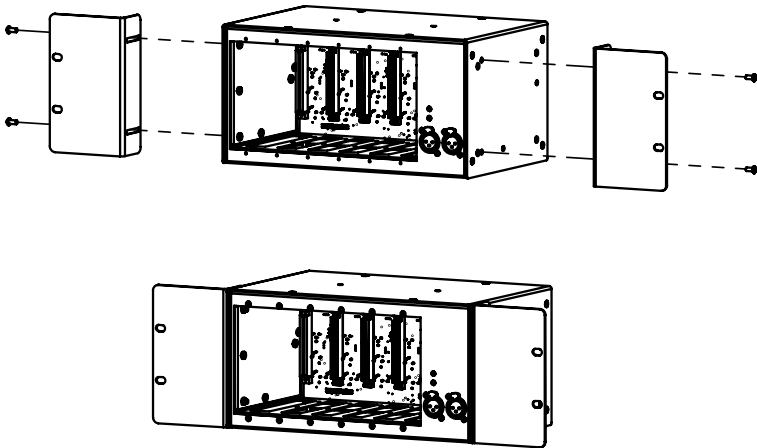
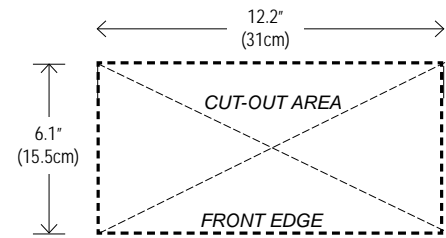
RADIAL ENGINEERING LTD. ("Radial") warrants this product to be free from defects in material and workmanship and will remedy any such defects free of charge according to the terms of this warranty. Radial will repair or replace (at its option) any defective component(s) of this product (excluding finish and wear and tear on components under normal use) for a period of three (3) years from the original date of purchase. In the event that a particular product is no longer available, Radial reserves the right to replace the product with a similar product of equal or greater value. In the unlikely event that a defect is uncovered, please call 604-942-1001 or email service@radialeng.com to obtain an RA number (Return Authorization number) before the 3 year warranty period expires. The product must be returned prepaid in the original shipping container (or equivalent) to Radial or to an authorized Radial repair center and you must assume the risk of loss or damage. A copy of the original invoice showing date of purchase and the dealer name must accompany any request for work to be performed under this limited and transferable warranty. This warranty shall not apply if the product has been damaged due to abuse, misuse, misapplication, accident or as a result of service or modification by any other than an authorized Radial repair center.

THERE ARE NO EXPRESSED WARRANTIES OTHER THAN THOSE ON THE FACE HEREOF AND DESCRIBED ABOVE. NO WARRANTIES WHETHER EXPRESSED OR IMPLIED, INCLUDING BUT NOT LIMITED TO, ANY IMPLIED WARRANTIES OF MERCHANTABILITY OR FITNESS FOR A PARTICULAR PURPOSE SHALL EXTEND BEYOND THE RESPECTIVE WARRANTY PERIOD DESCRIBED ABOVE OF THREE YEARS. RADIAL SHALL NOT BE RESPONSIBLE OR LIABLE FOR ANY SPECIAL, INCIDENTAL OR CONSEQUENTIAL DAMAGES OR LOSS ARISING FROM THE USE OF THIS PRODUCT. THIS WARRANTY GIVES YOU SPECIFIC LEGAL RIGHTS, AND YOU MAY ALSO HAVE OTHER RIGHTS, WHICH MAY VARY DEPENDING ON WHERE YOU LIVE AND WHERE THE PRODUCT WAS PURCHASED.

Flush In-Desk mounting the SixPack

For flush in-desk mounting, attach the kit to your SixPack as shown using the included #8-32 machine screws. The elongated slots on the flange allow the SixPack to be positioned flush with the desktop. The kit is compatible with desks up to 1.5 inches (39mm) in thickness.

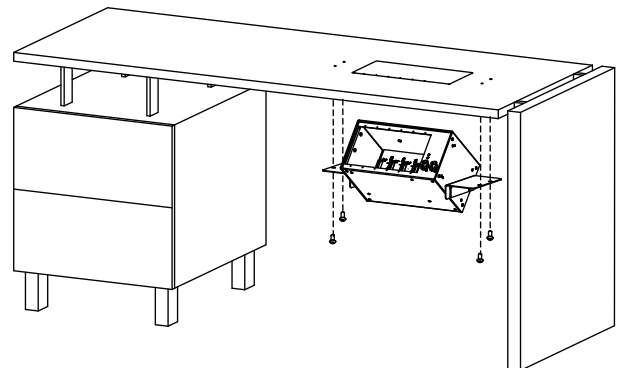
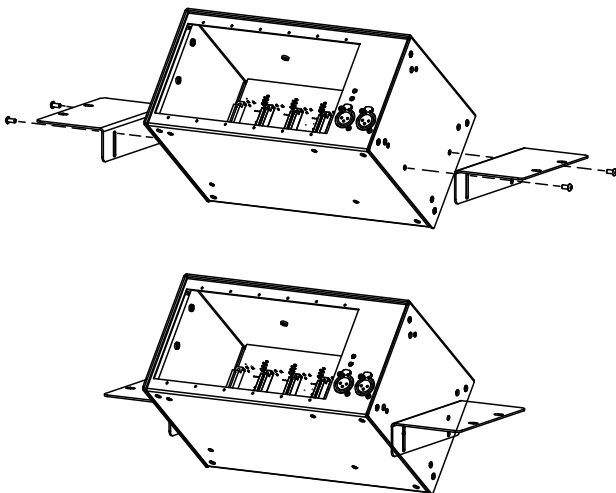
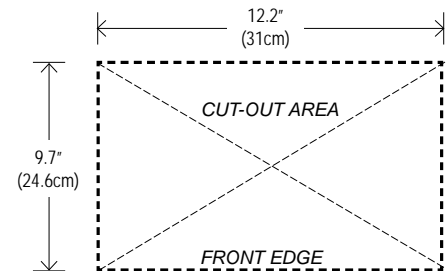
Before mounting, ensure there is enough space under the desk to accommodate the SixPack chassis plus an extra 6" (150mm) of space for the rear panel cable connections. Use a pencil and mark the cut-out area that needs to be removed on the desk. Mount the SixPack from below the desk surface using hardware appropriate for the desk material.



Angled In-Desk mounting the SixPack

For angled in-desk mounting, attach the kit to your SixPack as shown using the included #8-32 machine screws. After the kit is attached the SixPack chassis will be positioned at a 45° angle. The elongated slots on the flange allow the SixPack to be positioned flush with the desktop. The kit is compatible with desks up to 1.5 inches (39mm) in thickness.

Before mounting, ensure there is enough space under the desk to accommodate the SixPack chassis and an extra 6" (150mm) of space for the rear panel cable connections. Use a pencil and mark the cut-out area that needs to be removed on the desk. Mount the SixPack from below the desk surface using hardware appropriate for the desk material.



true to the music

www.radialeng.com

Radial Engineering Ltd. 1588 Kebet Way, Port Coquitlam BC V3C 5M5 • Phone: 604-942-1001 • Fax: 604-942-1010 • Email: info@radialeng.com

Specifications and appearance are subject to change without notice. © Copyright 2013, all rights reserved.