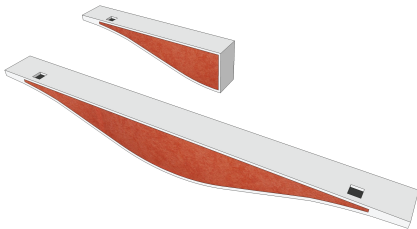


Flexi Wave | Clip Wood

Page 1 of 1 |



Required Apparatus:

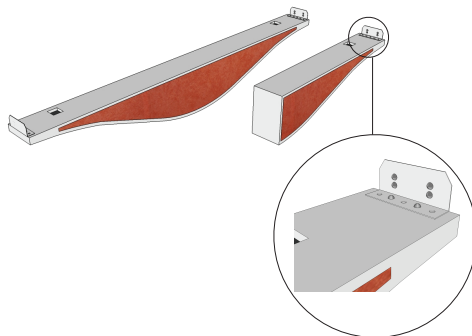
- Flexi Wave (1 and 1/2 Panel)
- 2 x Mini Clip-in rails (1 Panel)
- or 1 x Mini Clip-in rails (1/2 Panel)
- 1 x Z-metal piece (1 and 1/2 Panel - perimeter application)
- 2 x screws (each Mini Clip-in rail)
- Screwdriver
- Vicoustic Flexi Glue
- 1 x Glue Gun

Installation Instructions:

Please ensure the ceiling profiles are correctly assembled, and ready to receive the acoustic panels. Make sure the room has all the conditions necessary to receive the acoustic panels. Our Acoustic panels follows the standard dimensions, fitting perfectly in most common false ceilings. Flexi Wave is a product destined to be lagged, so a very precise study of the support structure should be carried out. It's also very important to study the amount of accessory elements that are necessary.

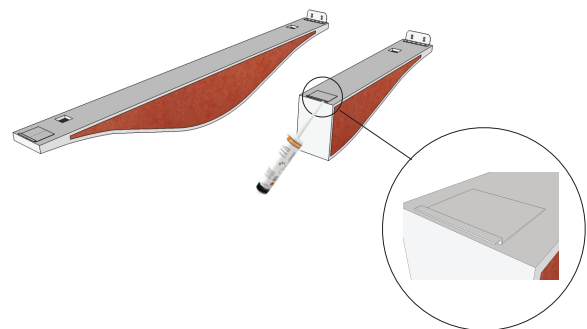
STEP 1

Fix the Mini Clip-in rails in the Flexi Wave. Should be used 2 for one complete panel and 1 unit for a half panel. Each Mini Clip-in rail is fixed using 2 screws.



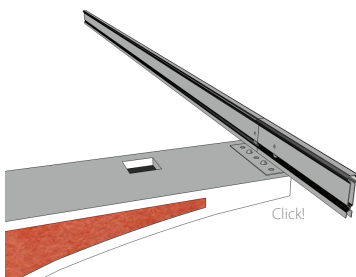
STEP 2

In the panels that will get in touch with the perimetrical ceiling structure, should be glued one Z-metal piece. The Z-metal piece should be in face with the lateral side of the panel.



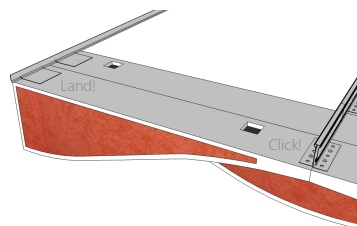
STEP 3

Install the panels making pressure over the Mini clip-in rails against the spring profiles of the standard clip-in structure.



STEP 4

In the panels that get in contact with the periphery place the Z-metal piece over the L-shaped profile and clip on the other side.



STEP 5

Install all the panels following the same procedure. They should be lagged as shown below.

