

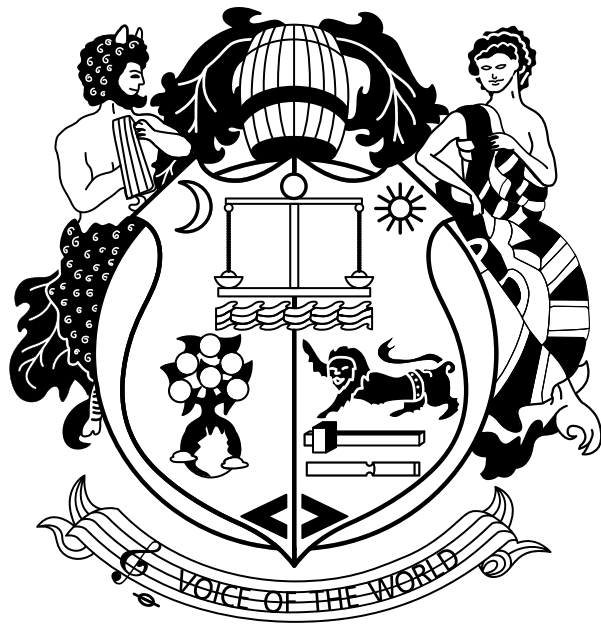
ORANGETM

AMPLIFICATION

PEDAL BABY 100

OWNER'S MANUAL

Est.



1968

London | England



DESIGNED AND ENGINEERED BY ORANGE MUSIC ELECTRONIC COMPANY LTD.
108 RIPON WAY, BOREHAMWOOD, WD6 2JA, UK. ORANGEAMPS.COM

DESIGNED AND ENGINEERED BY ORANGE MUSIC ELECTRONIC COMPANY LTD.
108 RIPON WAY, BOREHAMWOOD, WD6 2JA, UK. ORANGEAMPS.COM

IMPORTANT SAFETY INSTRUCTIONS

1. Read these instructions.
2. Keep these instructions.
3. Heed all warnings.
4. Follow all instructions.
5. Do not use this apparatus near water.
6. Clean only with a dry cloth.
7. Do not block any ventilation openings. Install in accordance with the manufacturer's instructions.
8. Do not install near any heat sources such as radiators, heat registers, stoves, or other apparatus (including amplifiers) that produce heat.
9. Do not defeat the safety purpose of the polarised or grounding-type plug. A polarised plug has two blades with one wider than the other. A grounding type plug has two blades and a third grounding prong. The wide blade or the third prong are provided for your safety. If the provided plug does not fit into your outlet, consult an electrician for replacement of the obsolete outlet.
10. Protect the power cord from being walked on or pinched particularly at plugs, convenience receptacles, and the point where they exit from the apparatus.
11. Only use attachments/accessories specified by the manufacturer.
12. Use only with the cart, stand, tripod, bracket, or table specified by the manufacturer, or sold with the apparatus. When a cart is used, use caution when moving the cart/apparatus combination to avoid injury from tip-over.
13. Unplug this apparatus during lightning storms or when unused for long periods of time.
14. Refer all servicing to qualified service personnel. Servicing is required when the apparatus has been damaged in any way, such as power-supply cord or plug is damaged, liquid has been spilled or objects have fallen into the apparatus, the apparatus has been exposed to rain or moisture, does not operate normally, or has been dropped.



The exclamation point within an equilateral triangle and "WARNING" are intended to alert the user to the presence of important operating or servicing instructions. Failure to heed the instructions will result in severe injury or death.

This equipment should be used under the supervision of an adult at all times.



The lightning flash with arrowhead symbol, within an equilateral triangle, is intended to alert the user to the presence of un-insulated 'dangerous voltage' within the product's enclosure that may be of sufficient magnitude to constitute a risk of electric shock to persons. Terminals labelled as "SPEAKER OUTPUTS" must be connected to a speaker cabinet of the designated load (Ω) rating using an un-shielded two conductor cable for speaker use.



The "Caution, hot surface" symbol indicates that the marked item may be hot.

Do not cover or block ventilation openings. Ensure the apparatus is installed with plenty of space around the unit (> 6"/12.5cm) as this apparatus may generate heat under normal use. This equipment is not intended to be used on soft support (like beddings, blankets etc.). This equipment should always be placed on a flat, stable surface.



To reduce the risk of fire and electric shock do not expose this apparatus to rain or moisture. For indoor use only. Do not use in damp environments, e.g. bathrooms etc.



Do not place objects containing liquids on, or near the product.
Do not operate this apparatus or connect/disconnect a power plug whilst hands are wet.



Do not attempt to gain access to the interior of the product. No user serviceable parts inside. Refer all servicing to qualified servicing personnel.

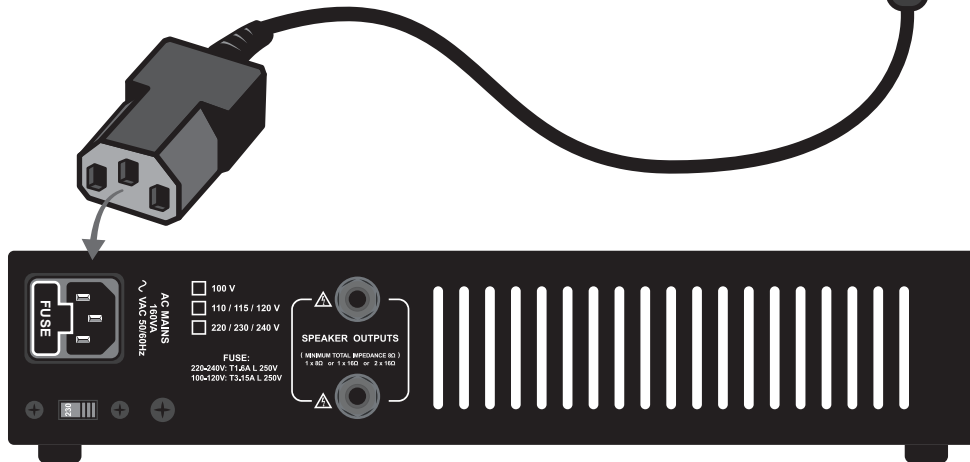
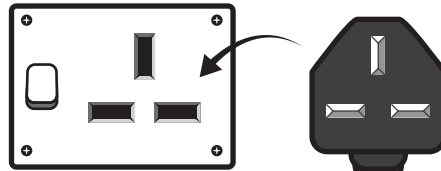


This symbol indicates this product is classified as Waste Electrical and Electronic Equipment (WEEE) in the European Union and should not be discarded with household waste. Contact your local authority for more information and details of your nearest approved disposal facility.

POWERING YOUR UNIT

WARNING

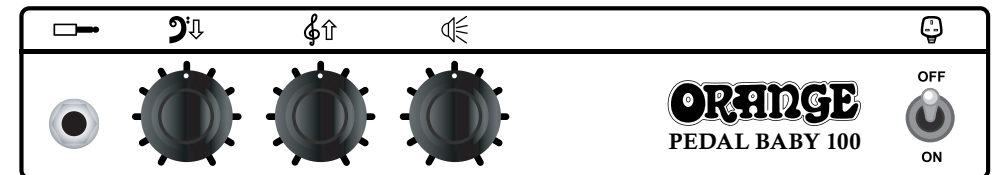
Connect the included power cord/plug to an AC mains socket outlet with a protective earthing connection.



GENERAL USE

- Before switching on the power, set the unit's volume control(s) to minimum.
- Use good quality shielded instrument cable to connect your instrument to your unit's input.
- To prevent excessive hum and electrical noise, operate your amplifier and instruments as far away as possible from other electronic devices. Examples include: refrigerators, motors, air conditioners, television sets, radio receivers etc.

FRONT PANEL



ORANGE ICONS



INPUT

1/4" instrument jack socket.



POWER

The lamp will illuminate to indicate the power is switched to ON.



VOLUME

Adjusts the volume.



BASS

Adjusts the lower frequency response. Increasing the bass produces deeper sounds.



TREBLE

Adjusts the high frequency response. Increase the treble for brighter tones or reduce for a warmer sound.

WARNING

FUSE INFORMATION

The mains fuse is provided for your safety. The fuse rating for your model and region is indicated near the unit's AC mains inlet

Do not replace with a fuse of a different type

T = Time Delay ("Slow Blow")

mA or A = Rated current, expressed in mA or A

L = Low breaking capacity or;
H = High breaking capacity

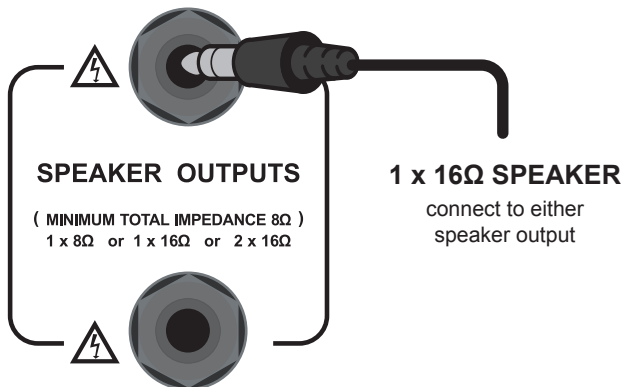
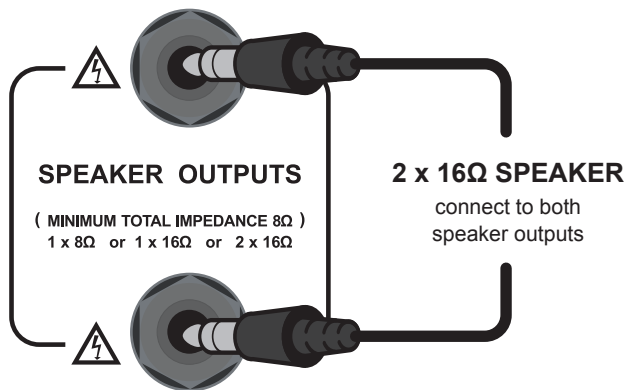
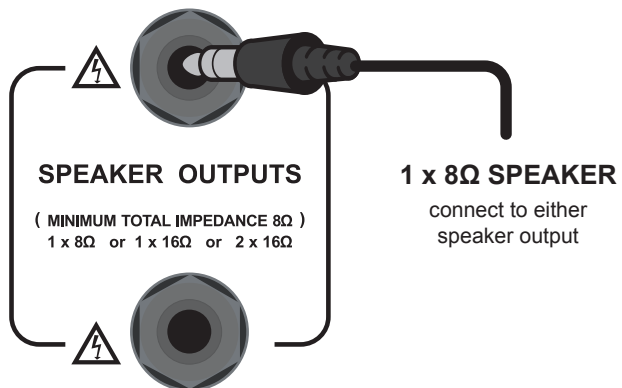
If the mains fuse repeatedly blows, contact your Orange dealer.

DO NOT TAMPER WITH VOLTAGE SELECTOR SWITCH



The voltage selector switch is located on the rear of the product. It is set at the factory for the country or region in which the unit is intended to be sold. If the unit is to be used overseas, contact Orange Amplification.

SPEAKER CONNECTIONS



SPEAKER CONNECTIONS

! SPEAKER OUTPUTS !

THE PEDAL BABY 100 MUST BE CONNECTED TO A SPEAKER LOAD (Ω) AT ALL TIMES DURING OPERATION.

NEVER PLUG ANYTHING OTHER THAN A SPEAKER CABLE INTO THE SPEAKER OUTPUT. ONLY CONNECT SPEAKER CABINETS AS SHOWN.

NEVER USE AN INSTRUMENT CABLE TO CONNECT SPEAKERS. ONLY USE UNSHIELDED TWO CONDUCTOR SPEAKER CABLE.

NEVER CONNECT X 2 CABINETS OF DIFFERENT IMPEDANCES (Ω).

ENSURE THE SPEAKER CABINET'S POWER HANDLING RATING (WATTS RMS) IS SUITABLE FOR YOUR AMPLIFIER. IF YOU ARE UNSURE, CONTACT YOUR ORANGE DEALER.

! WARNING !

TOTAL MINIMUM IMPEDANCE = 8Ω
DO NOT CONNECT 2 x 8Ω SPEAKERS