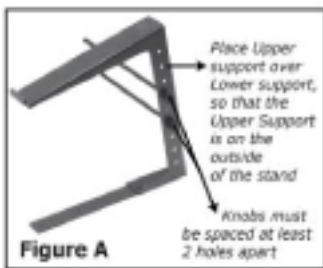
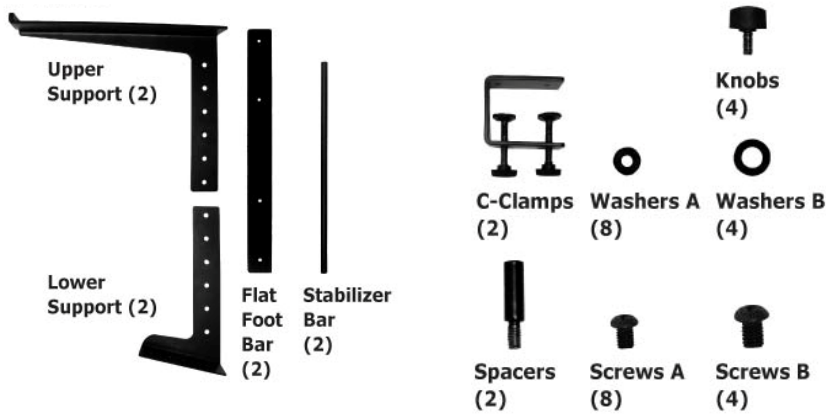
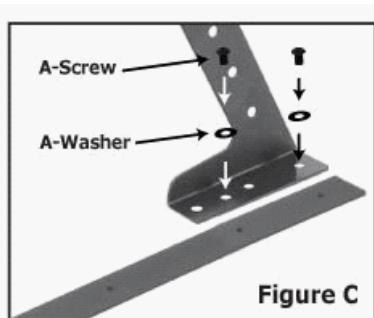


**SLT001 / SLT001W MULTI-PURPOSE LAPTOP STAND**

**PARTS**

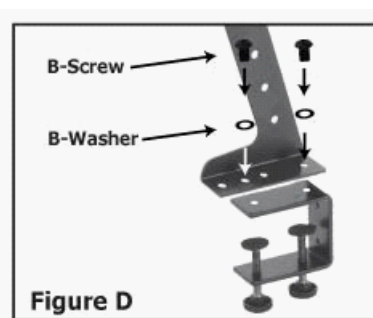


1. Take one of the upper supports and place it over the outside of one of the lower supports (see figure A). Align the upper support holes with the lower support mounting holes to obtain the desired height.
2. Place one knob at a time through the mounting holes (must be spaced at least 2 holes apart).
3. Take a stabilizer bar and screw the top knob into the end of the stabilizer bar. Repeat with bottom knob.
4. Install 1 inch spacers on each stabilizer bar to increase stand width. Repeat step 3 with the other upper support and lower support for the opposite side of the stand (see Figure B). Secure all knobs tight to minimize stand wobble.



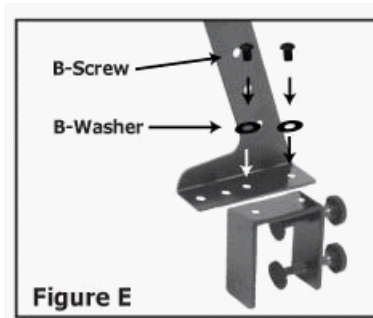
**Table top assembly**

1. Attach flat foot bar to lower support with four (4) A-screws and washers (see figure C).
2. Repeat above with the other lower support for the opposite side of the stand.



**Table C-clamp assembly**

1. Turn clamp with knobs facing down and attach to lower support with two (2) B-screws and B-washers (see figure D).
2. Repeat above with the other lower support for the opposite side of the stand.



**DJ coffin C-clamp assembly**

1. Turn clamp with knobs facing back of stand and attach to lower support with two (2) B-screws and B-washers (see figure E).
2. Repeat above with the other lower support for the opposite side of the stand.