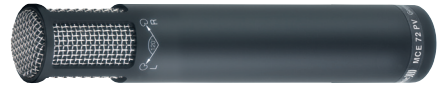


MCE 72

Stereo Condenser Microphone



MCE 72



MCE 72 PV CAM

FEATURES

- XY stereophony
- Two cardioid condenser capsules
- Angular width 120° ($\pm 60^\circ$ off the microphone axis)
- Rugged metal housing
- Plug-in connecting cable (5-pin XLR)
- **MCE 72 / MCE 72 CAM:** Battery powered (1.5 V battery)
- **MCE 72 / MCE 72 CAM:** Battery indicator LED
- **MCE 72 PV CAM:** Phantom powered 11 - 52 V

APPLICATIONS

The MCE 72 is a compact stereo microphone for XY recording with a wide and linear frequency response producing uncoloured, high-quality recordings. The MCE 72 is suitable for stereo recording in home studio applications, concert recordings with DAT or MD, film, video and interviewing.

For musicians the MCE 72 is an excellent microphone for assessing performance in rehearsals, production and concerts. For stereo ambient sound recording, the microphone is suitable for direct connection to most camcorders, DAT and MD recorders.

The MCE 72 has two microphone capsules that are mounted in an angle of $\pm 60^\circ$ to the microphone axis to achieve a wide recording range and an accurate reproduction of the sound source.

The optional EA 19/25 elastic suspension suppresses footfall sound effectively.

Using the optional special EA 86 elastic suspension with a flash holder, the MCE 72 can be mounted onto the "hot shoe" of a camcorder directly but remains isolated from noise caused by the video head and the drive.

The MCE 72 is available in three versions:

The **MCE 72** and **MCE 72 CAM** are powered by a standard 1.5 V battery (AA-size). An LED indicates when the battery needs to be replaced.

The **MCE 72 PV CAM** is phantom powered between 11 and 52 V. By using the plug-in cable the microphone is connected to the appropriate device.

VERSIONS

- MCE 72 PV CAM Stereo condenser microphone, cardioid, phantom powered, with EA 86 for mounting onto a "hot shoe", WS 72 wind shield and MVK 82-N(CM) cable 0.5 m Order # 492.612
- MCE 72 CAM Stereo condenser microphone, cardioid, battery powered with EA 86 for mounting onto a "hot shoe", WS 72 wind shield and MVK 72-K3 cable Order # 470.635
- MCE 72 same as above, but with MKV 108 microphone clamp and MVK 82-K3 cable Order # 465.461

OPTIONAL ACCESSORIES

- MVK 72-K3 Microphone cable with 5-pin XLR socket and mini stereo jack plug (3.5 mm), 0.35 m long Order # 470.643
- MVK 82-K3 Microphone cable with 5-pin XLR socket and mini stereo jack plug (3.5 mm), 2.5 m long Order # 450.949
- MVK 82-N(CM) Microphone cable with 5-pin XLR socket and 2 x 3-pin XLR plugs, 2.5 m long Order # 448.966
- MVK 82-N(CM) same as above, but 0.5 m Order # 481.777
- EA 19/25 Elastic suspension with MKV 11 mic clamp. Order # 407.194
- EA 86 Elastic suspension with BS 86 flash holder Order # 407.186
- MKV 8 Microphone clamp, 3/8" internal thread, for shaft diameter of 22 - 32 mm Order # 407.216
- WS 101 Wind shield, charcoal-grey Order # 111.244
- MAV 800 Clip 3/8" for hanging installation (from the ceiling) of microphones Order # 448.133

MCE 72

TECHNICAL SPECIFICATIONS

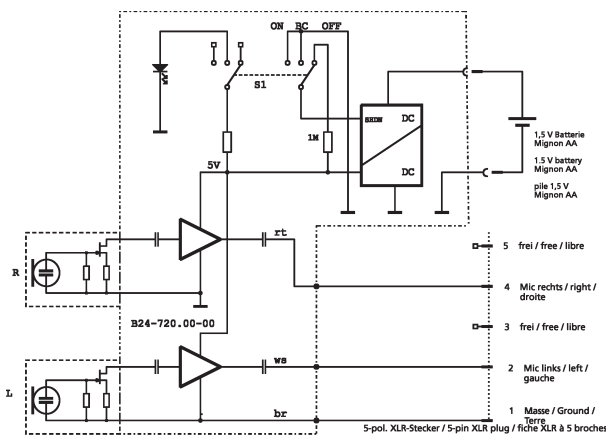
Transducer type	Condenser (back electret)
Operating principle	Pressure gradient
Frequency response	60 - 20,000 Hz
Recording	XY stereophony
Polar pattern	2 x cardioid, principal axis angle 120°
Open circuit voltage at 1 kHz	
MCE 72 / MCE 72 CAM	12 mV/Pa
MCE 72 PV CAM	26 mV/Pa
Nominal impedance	180 Ω
Load impedance	> 1 kΩ
Max. SPL at 1 kHz	
MCE 72 / MCE 72 CAM	120 dB
MCE 72 PV CAM	120 dB
Signal-to-noise ratio rel. to 1 Pa	approx. 60 dB
A-weighted equivalent SPL	approx. 26 dB
Power supply	
MCE 72 / MCE 72 CAM	1.5 V battery (Mignon AA)
MCE 72 PV CAM	Phantom power 11 - 52 V
Current consumption	
MCE 72 / MCE 72 CAM	12 mA
MCE 72 PV CAM	3.7 mA per channel
Operating time with battery type LR 6 (2300 mAh)	
MCE 72 / MCE 72 CAM	approx. 75 hrs.
Output	
MCE 72 / MCE 72 CAM	unbalanced, capacitor decoupled
MCE 72 PV CAM	balanced

Connection	
MCE 72 / MCE 72 CAM	5-pin XLR male Pin 1 = Shield Pin 2 = AF - left Pin 3 = not connected Pin 4 = AF - right Pin 5 = not connected
MCE 72 PV CAM	5-pin XLR male Pin 1 = Shield Pin 2 = AF + left Pin 3 = AF - left Pin 4 = AF + right Pin 5 = AF - right

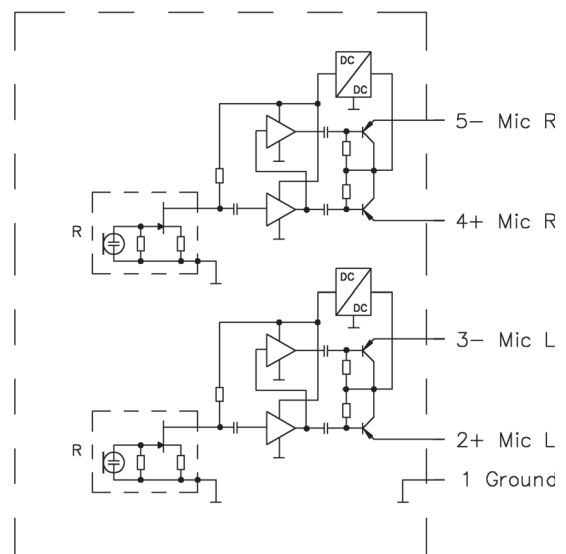
Connecting cable	
MCE 72 / MCE 72 CAM	5-pin XLR female
Input	3.5 mm Stereo jack plug
MCE 72 PV CAM	5-pin XLR female
Output	2 x 3-pin XLR male
Cable length	0.5 m
Dimensions	
MCE 72 / MCE 72 CAM	Length 196 mm Diameter 25 mm
MCE 72 PV CAM	Length 136 mm Diameter 25 mm
Weight (without battery)	
MCE 72 / MCE 72 CAM	175 g
MCE 72 PV CAM	135 g

WIRING DIAGRAMS

MCE 72 / MCE 72 CAM



MCE 72 PV CAM



MCE 72

FREQUENCY RESPONSE & POLAR PATTERN

This frequency response curve (measuring tolerance ± 2.5 dB) and polar pattern correspond to a typical production sample for this microphone.

