



PRIMACOUSTIC™

Stratus™ Cloud

Part No. Z840 1200 xx

INSTALLATION MANUAL









Congratulations on purchasing the Stratus cloud kit from Primacoustic. The Stratus is an easy to assemble acoustic cloud system that will absorb powerful primary reflections above your listening position and look great for years to come. The Stratus may be installed in one of two ways. Suspended installation uses tie-wire to hang the cloud. Flush installation attaches the Stratus directly to the ceiling. Which method you use will depend on the ceiling height and layout of your room.

Please take a few minutes to read through this assembly & installation manual. It will give you a list of included parts, as well as step by step assembly instructions and installation options. Please refer to www.primacoustic.com for general room acoustics information and further details. Should you have any questions or comments, we invite you to send an email to: info@primacoustic.com.



BOX CONTENTS:

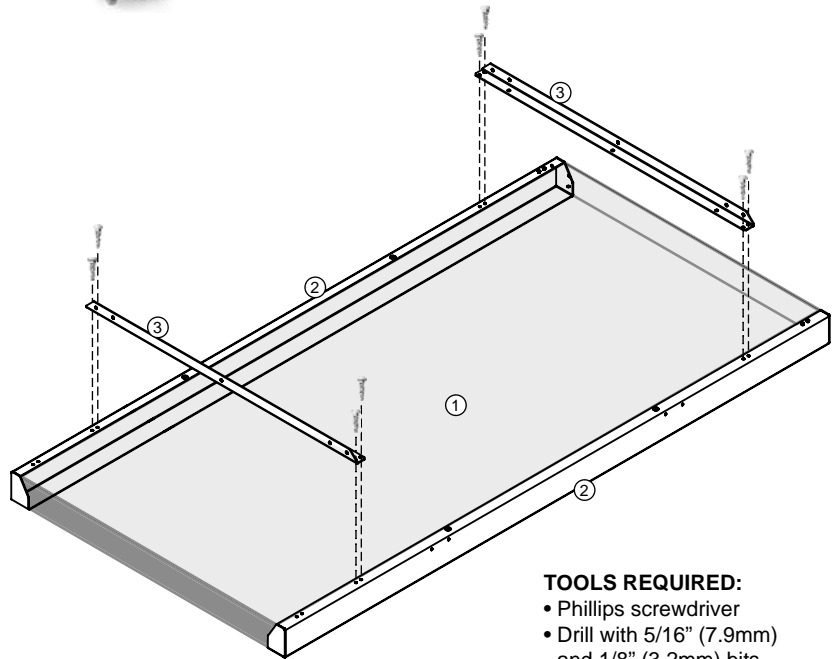
Before beginning assembly, please take a moment to familiarize yourself with the box contents.

Ref.#	Description:	(Qty.)
①	24" x 48" x 2" panel (610 x 1216 x 51mm)	(1)
②	Side rails	(2)
③	Crossbars	(2)
	Link bracket	(2) 
	Butterfly anchors	(4) 
	Eye-screw	(4) 
	½" (12mm) screws	(8) 
	1" (25mm) bolts	(8) 
	Nuts	(8) 
	Locking washers	(8) 
	Tie-wire	(4) 

① SUSPENDED ASSEMBLY

Rest the panel on a clean, flat surface with the fabric side facing down. Slide the two aluminum side rails over the long edges of the panel with pilot holes facing up. Attach the two cross supports between the side rails using eight (8) ½" Phillips screws.

 x 8



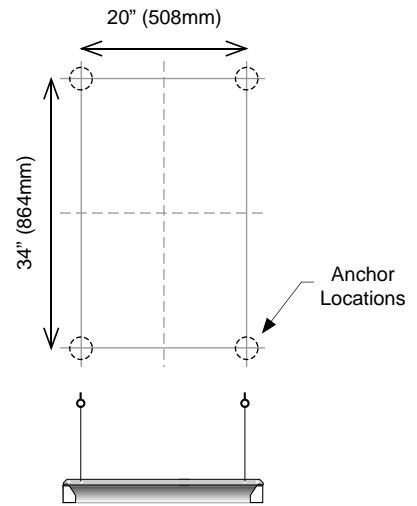
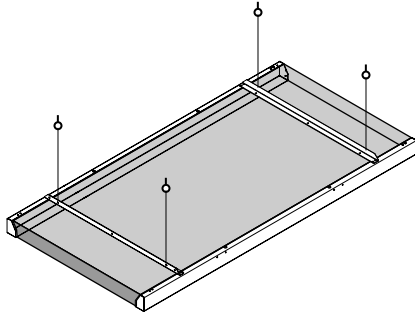
TOOLS REQUIRED:

- Phillips screwdriver
- Drill with 5/16" (7.9mm) and 1/8" (3.2mm) bits
- Wire cutters
- Bubble Level
- Hammer and nail
- Ladder

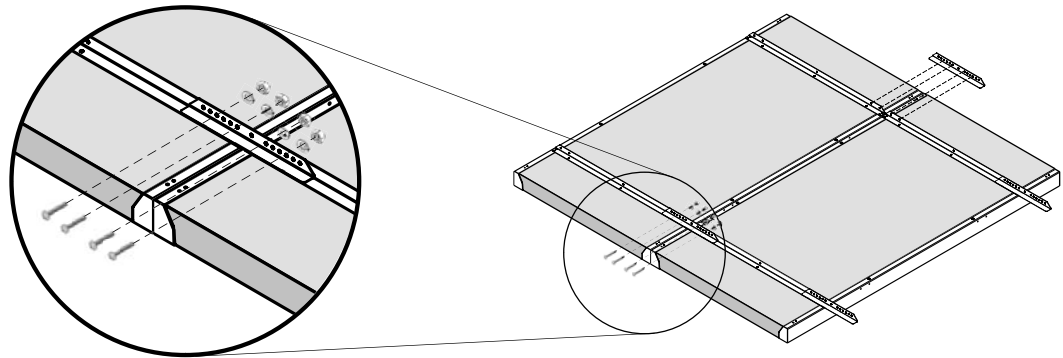
WARRANTY

Please inspect panels immediately after purchase and before mounting. Primacoustic Broadway acoustic panels are guaranteed to be free of manufacturing defects for a period of thirty (30) days after purchase. In the unlikely event that a defect is uncovered, please call 604-942-1001 to obtain an RA number (Return Authorization number) from Primacoustic before the thirty (30) day warranty period expires. Once you have obtained an RA number you must return the product, freight prepaid, within fifteen (15) days after the date the RA number is issued. Please return the product in the original packaging (or another, affording an equal degree of protection) with all of the following: (1) RA number clearly marked on the returned package; (2) a receipt or bill of sale showing proof of purchase from an authorized retail seller; and (3) a written note describing the defect and including your name, address, telephone number and the applicable RA number. You are solely responsible for all shipping and insurance costs for returning the product to Primacoustic, and you will not be reimbursed or compensate for any loss or damage incurred during return shipping. Primacoustic will at its discretion repair or replace the panel. Should the panel be no longer available, Primacoustic reserves the right to exchange this with a panel of similar performance and value. Due to different dye lots, Primacoustic cannot guarantee exact color match. This Warranty shall solely extend to the original owner and is limited to manufacturing defects only and excludes damage due to improper installation, freight handling, wear and tear, abuse, misuse, misapplication, color fading or deterioration due to prolonged exposure to ultra violet light, smoke, humidity or other environmental factors. It is understood that the use and suitability of this product is entirely the responsibility of the buyer or specifying engineer and as such, these parties agree to hold Primacoustic, or it's associated company, and/or officers, harmless from any responsibility whatsoever other than what is clearly outlined in this warranty.

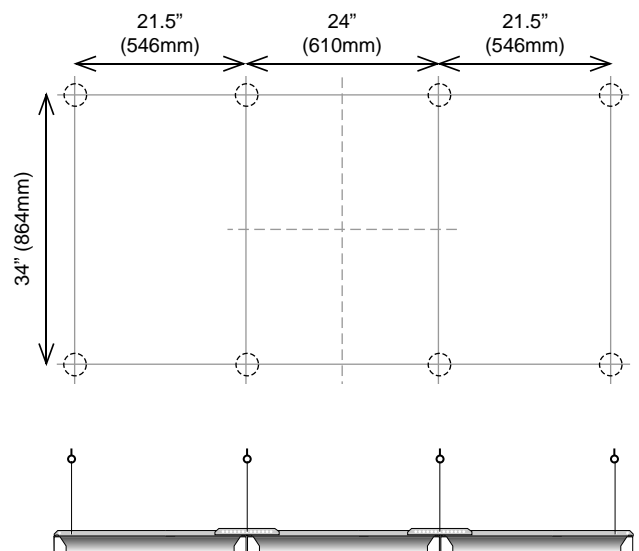
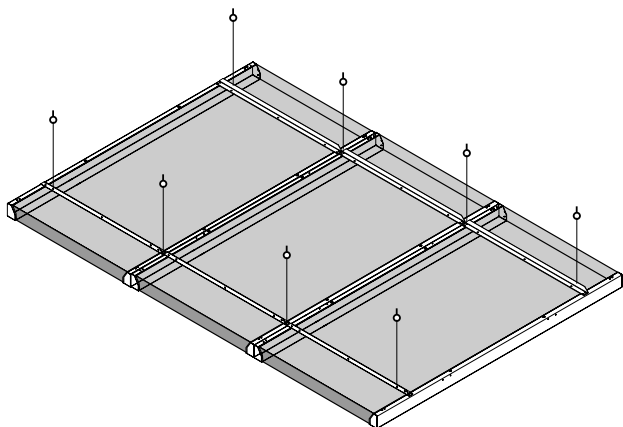
2 SINGLE KIT SUSPENSION - CEILING ANCHOR LOCATIONS



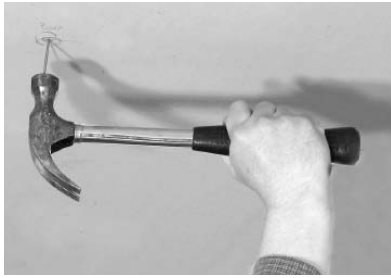
3 LINKING KITS TOGETHER
 Stratus cloud kits may be linked together using the supplied 8" brackets. Attach each additional kit together at the crossbars using the two (2) link brackets, eight (8) bolts, eight (8) locking washers and eight (8) hex nuts.



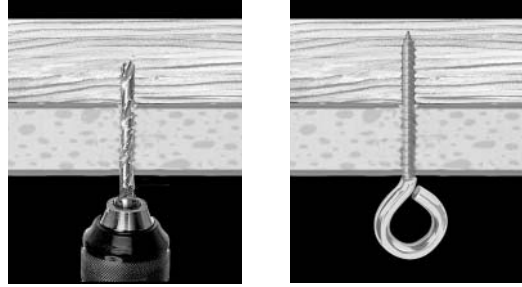
4 LINKED KITS SUSPENSION - CEILING ANCHOR LOCATIONS



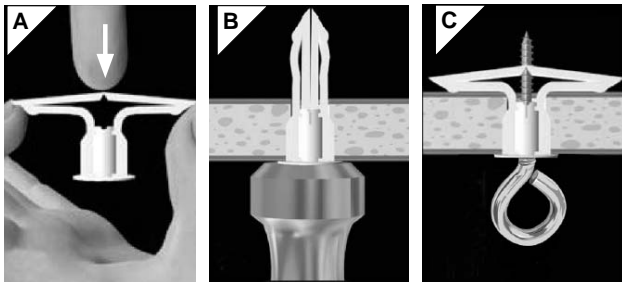
- 5 INSTALLING CEILING ANCHORS**
 Probe your ceiling to find out if there is a solid or hollow backing. Using a hammer tap a nail into each ceiling anchor location to determine the backing. If the backing is solid go the step 6; if the backing is hollow skip to step 7.



- 6 SOLID BACKED CEILING**
 If one or more of your ceiling anchor locations is on a solid backing, such as a joist, you don't need to use the included butterfly anchors. In such a case, use an 1/8" (3.2mm) drill bit to make a pilot hole and screw the eye-screw in directly.

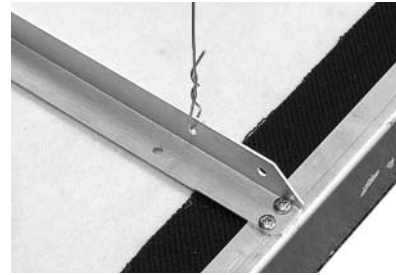


- 7 HOLLOW BACKED CEILING**
 If the backing above your ceiling is hollow use a 5/16" (7.9mm) drill bit to make a hole for the butterfly anchor and follow the steps below. Repeat the anchor and eye-screw installation until all your suspension points are ready.

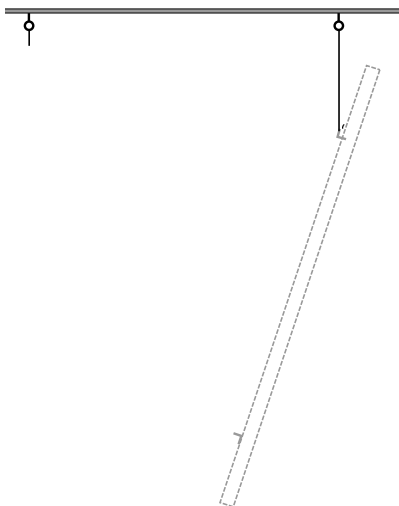


A Fold in half. B Tap into hole. C Screw in eye-screw.

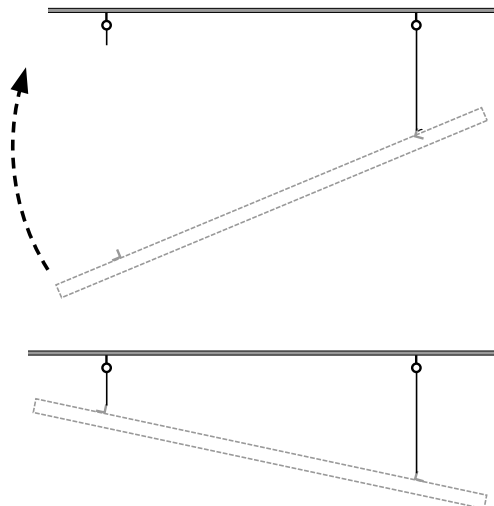
- 8 ATTACH TIE-WIRE**
 With the panel face down, thread the tie-wire through the holes in the crossbar (single kit suspension) or the link bracket (linked kit suspension) and twist around several time to secure.



- 9** With the help of another person, lift one end of the Stratus or array up and twist the tie-wire around the eye-screws. Use your bubble level to make final leveling adjustments to the tie-wire.

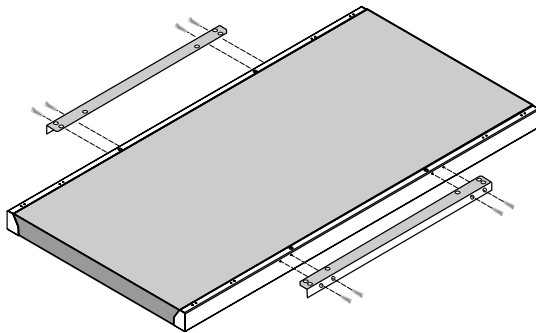


- 10** Once the Stratus kit is level, swing the other end up and twist the tie-wire around the eye-screws.

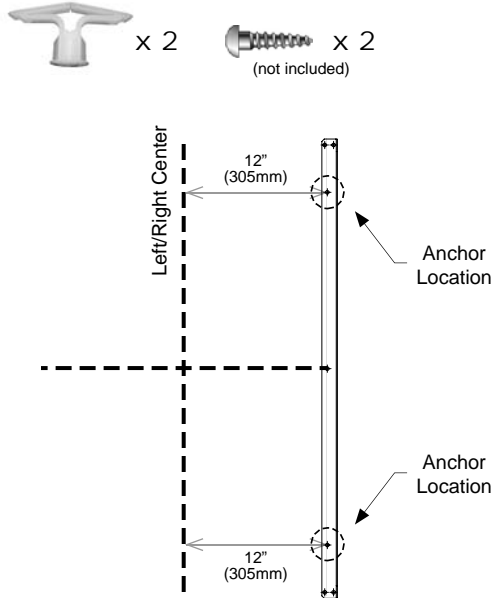


11 FLUSH MOUNT ASSEMBLY

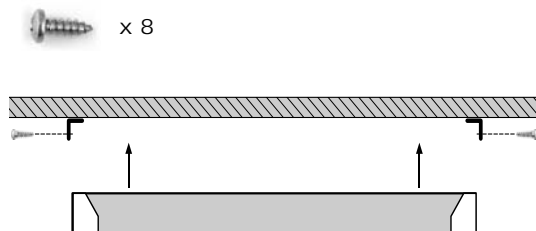
Rest the panel on a clean, flat surface with the fabric side facing down. Slide the two aluminum side rails over the long edges of the panel with pilot holes facing up. Do not attach the crossbars to the side rails. For flush installation, the crossbars are first mounted to the ceiling.



13 Hold the right crossbar up to the pencil line and mark the locations for the anchors. Follow the instructions in the previous section for installing the anchors. **NOTE:** Use #6 - #14 (3.5mm - 6mm diameter) 1½" (39mm) screws (not included) to fasten the crossbars to the ceiling anchors.

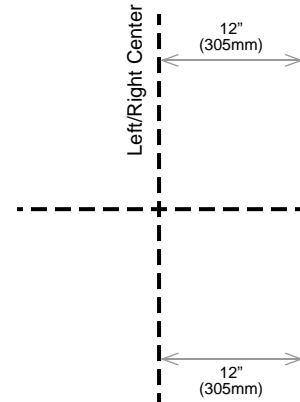


15 With the help of another person, lift the Stratus kit up to the ceiling. Align the pair of holes on the side rails to the mounted crossbars. Use eight (8) ½" Phillips screws to attach.

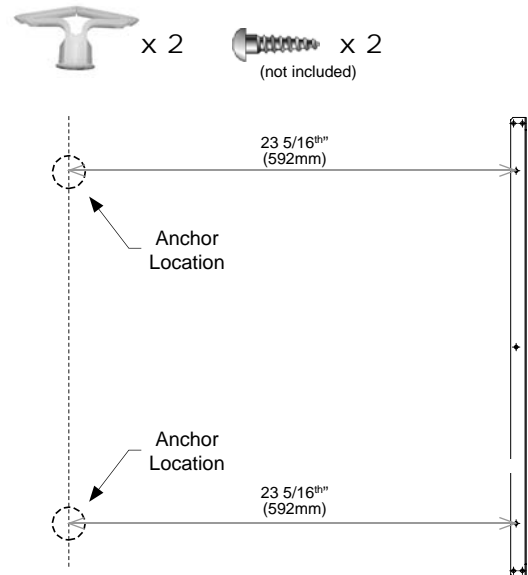


12 FLUSH MOUNT INSTALLATION

Determine where the center of the acoustic cloud will be and mark a pencil line with a straight edge. Measure 12 inches (304.8mm) to the right of the center mark and mark a pencil line parallel to the center line.



14 After the right crossbar is mounted to the ceiling measure 23 5/16" (592mm) inches to the next pair of anchors.



! The crossbar makes a handy tool to mark the anchor locations. Line up the holes as pictured and mark the two anchor locations for the left crossbar.