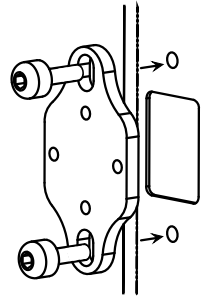
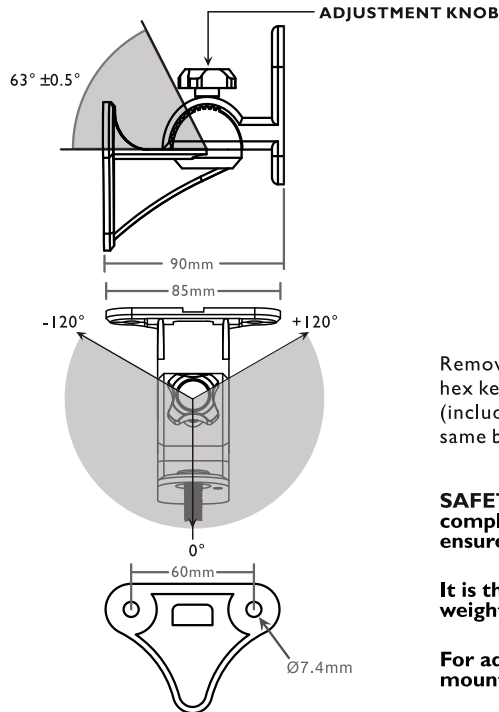


TNi-BRK10 - WALL MOUNTING BRACKET

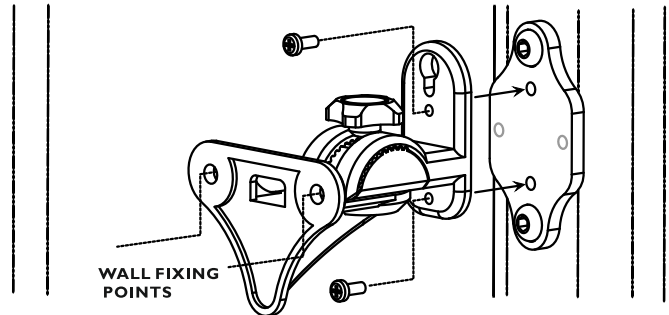


Thank you for purchasing the TNi-BRK10 wall mounting bracket accessory kit for use with the TNi-4030 / TNi-4030-B.

With a 15Kg load limit, this discrete mounting system will provide both horizontal and vertical rotation or a combination of the two.



Remove the two fixing bolts with a 5mm hex key. Fit the Spacer Plate (included in the mounting kit) with the same bolts.



Fit the Wall bracket to the spacer as shown with M3 screws included.

SAFETY: The wall mounting of cabinets should be performed only by properly qualified persons, in compliance with all local laws and using approved hardware - it is the responsibility of the installer to ensure all requirements / laws have been met and adhered to.

It is the installers responsibility to ensure the point of fixing is structurally adequate to support the weight of the cabinet.

For added safety, it is strongly recommended that the audio connections, mechanical fixing and mounting bracket are checked periodically.