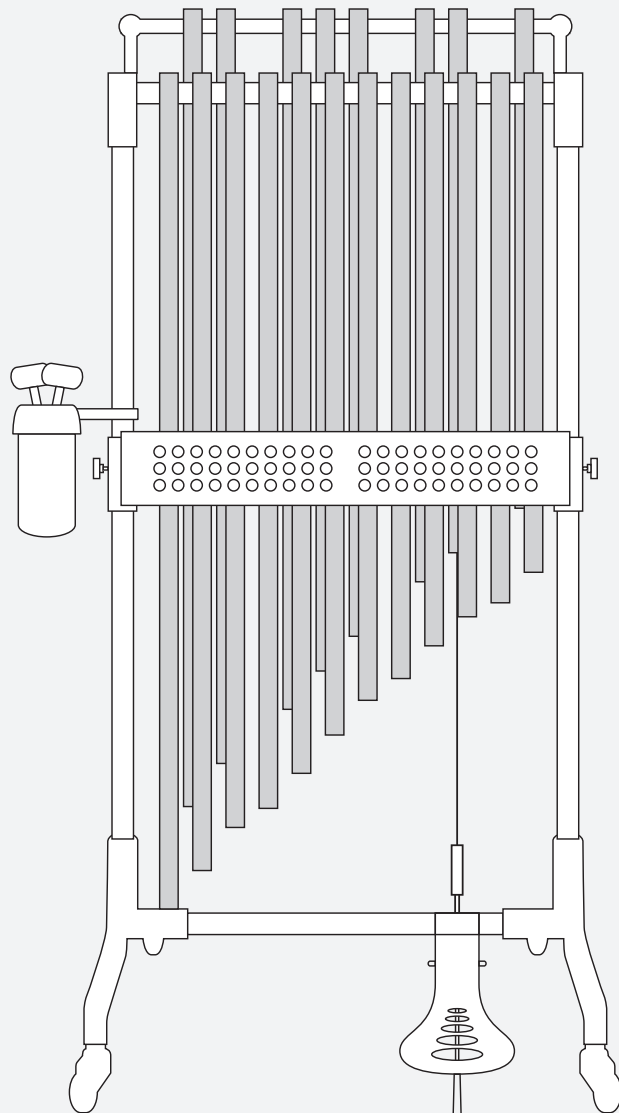


WHD

TUBULAR BELLS SETUP GUIDE

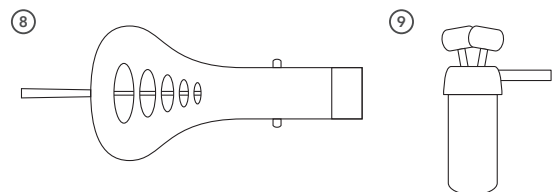
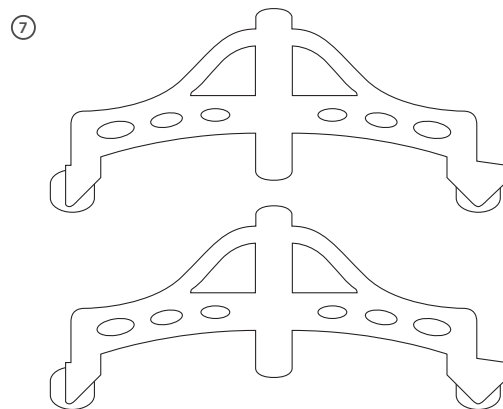
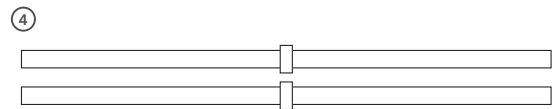
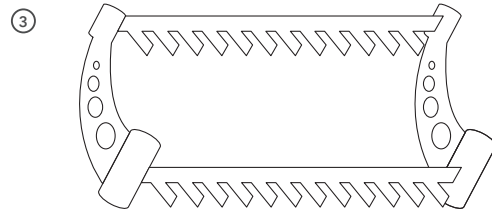
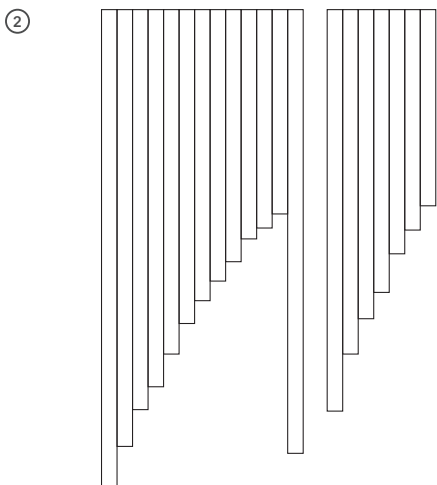
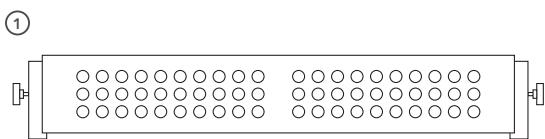


INTRODUCTION

Thank you for purchasing the WHD Professional Tubular Bells, to help you get the most out of your new instrument, please read this manual and follow the setup instructions carefully.

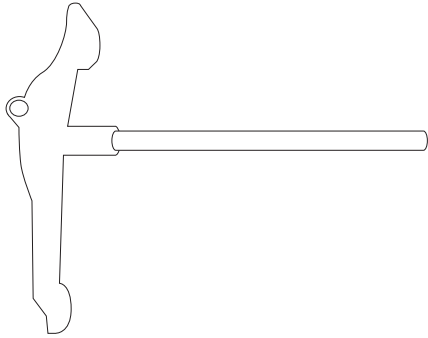
Please check all components are included in the package.

1. Damper box
1 set
2. Tubes 1 set
(20pcs or 22pcs)
3. Tube hanging device
1 set
4. Supporting rods
(2pcs)
5. Tripod connecting rod
6. Damper pull rod
7. Left and right tripod
8. Pedal device 1 set
9. Accessories kit
(2 hammers, 1 Allen key, 1 spanner)

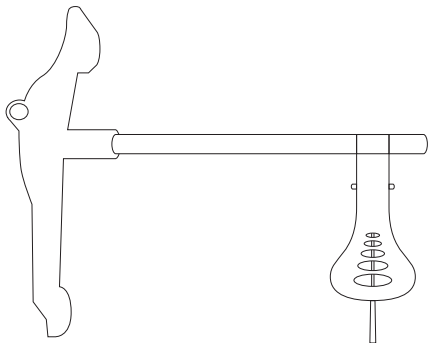


FRAME CONSTRUCTION

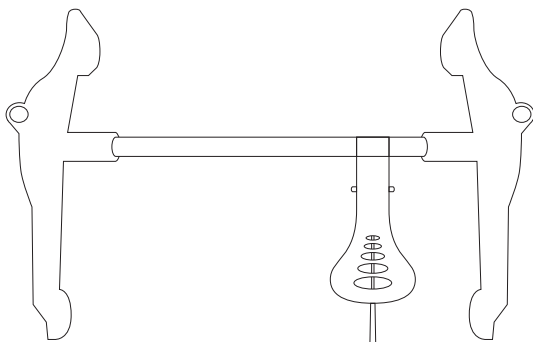
1. Left tripod and tripod connecting rod assembly: loosen the screws, connect the tripod rod to the left tripod, tighten it properly, as shown in the picture below.



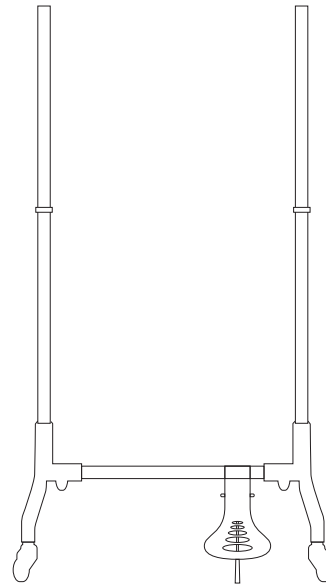
2. Pedal and tripod connecting rod assembly: loosen the pedal screws with the Allen key, insert the connecting rod into the pedal mounting hole, tighten it properly.



3. Right tripod assembly: please repeat step 1 (above), as shown in the picture below.



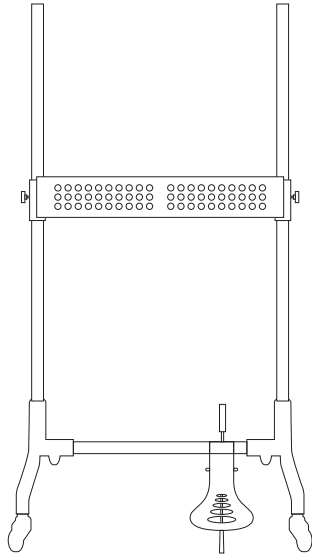
4. Supporting rod assembly: loosen the screws for the left tripod supporting rod hole, insert the supporting rod, tighten the screws properly.



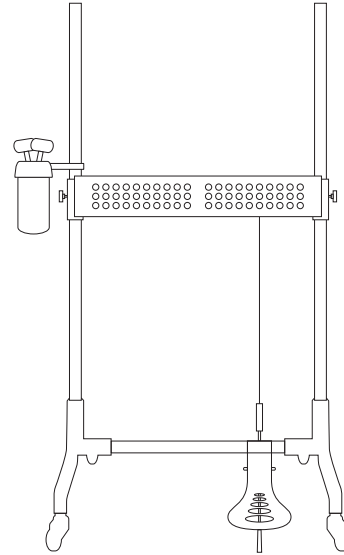
ATTENTION!

Be sure to insert the longer part of the supporting rod (which has a longer length from the end ring). Incorrect assembly will reduce the effectiveness of the damper.

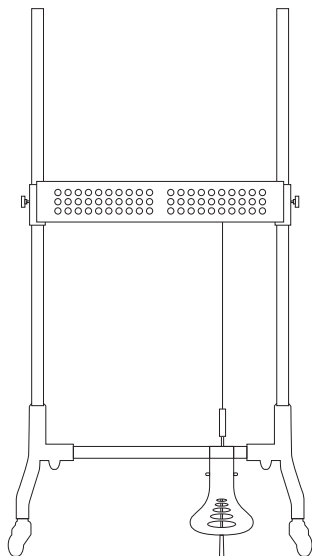
5. Damper box assembly: loosen the screws from both left and right of the damper box, raise it up and insert both supporting rods through the holes on the left and right of the damper box. Put it down slowly. Try to avoid sliding friction to the supporting rod.



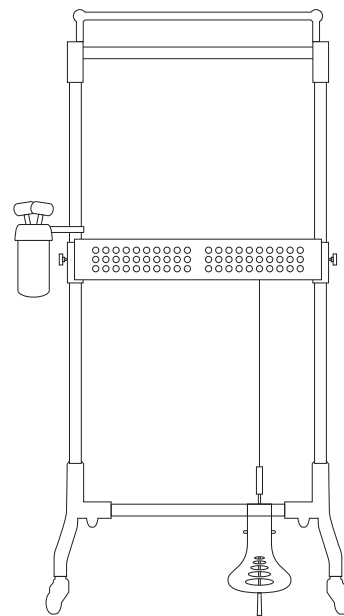
7. Accessory kit assembly: loosen the butterfly nut and mount it on the left supporting rod, tighten the butterfly nut.



6. Damper pull rod assembly: insert the damper pull rod straight end into the pedal device pull rod hole. Hang the curved end to dampen the box damper board, tighten the nut properly.



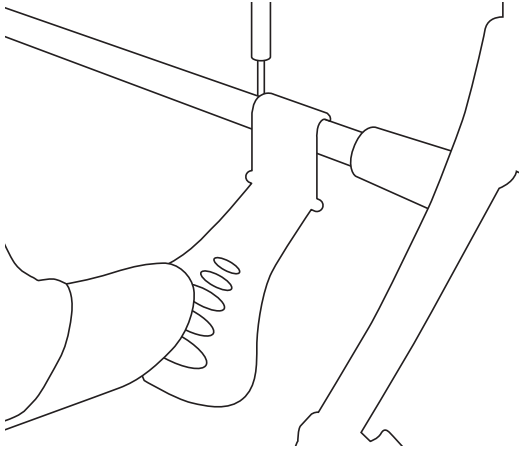
8. Tube hanging device assembly: loosen the screws on the tube hanging device. Raise it up, mount it to the supporting rod by inserting the rod into the holes on the device. Put it down slowly, the tube hanging device should be parallel to the damper box, as in the picture below.



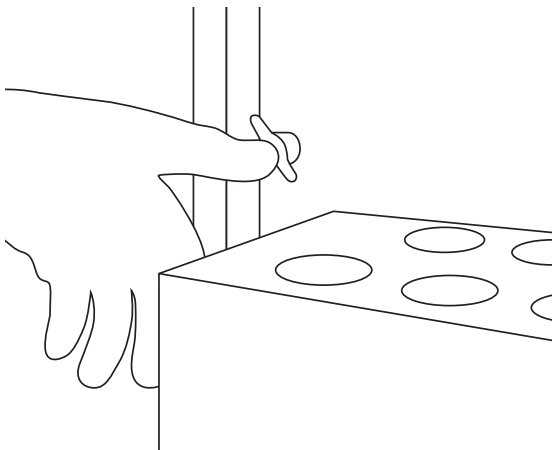
ATTENTION!
Secure the pedal in place by ensuring all the screws are tight.

TUBE ASSEMBLY

1. Step on damper pedal, as pictured:

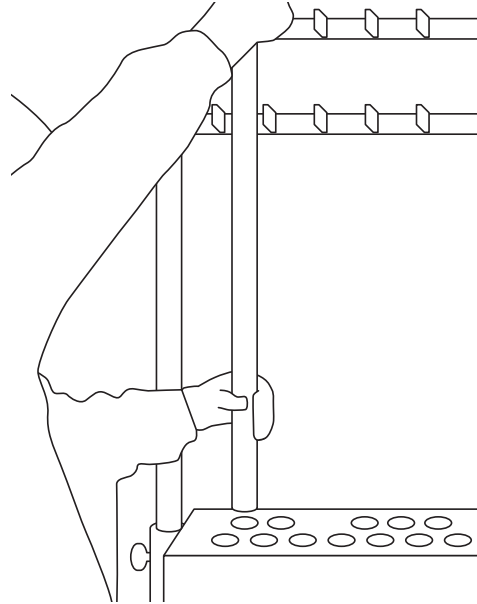


2. Push the damper button.

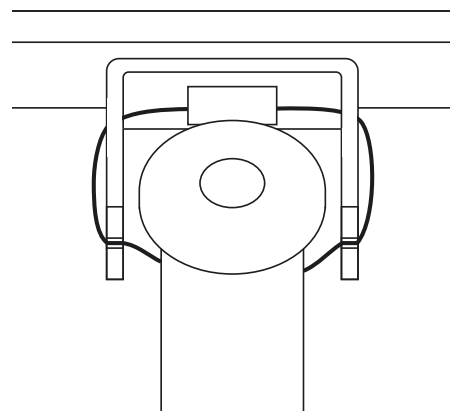


3. Loosen the pedal button lock, keep the damper box open to ensure the tubes go through freely.

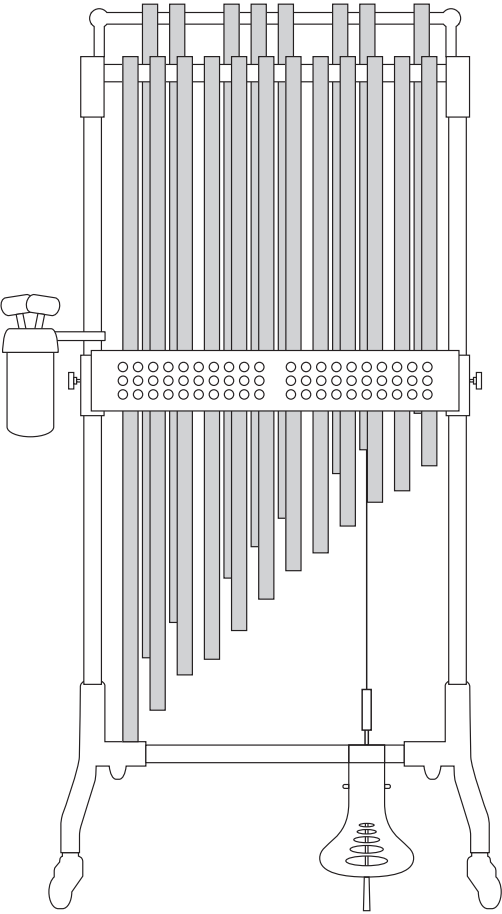
4. Holding the tubes with two hands, insert each tube through the corresponding damper box hole.



5. Hang the tubes, one by one, as pictured below.



Your WHD Professional Tubular Bells are now ready to be played.



If you have any more questions about this product, please do not hesitate to contact the Gear4music Customer Service Team on: **+44 (0) 330 365 4444** or **info@gear4music.com**