

RE3-ACC-PLPA Passive log periodic antenna, 470-960MHz

- Extends system range
- High efficiency with 10 dB of passive gain
- Mounts on standard threaded microphone stand

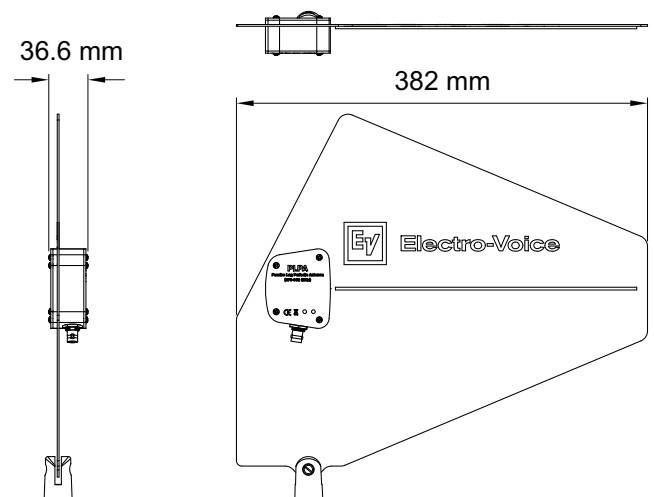


The PLPA is a passive directional antenna, which increases the desired RF signal while rejecting unwanted RF signals. PLPA mounts on a standard threaded microphone stand for easy placement. Intended to extend system range, PLPA should be used in conjunction with high quality, low-loss coax cables such as items from the Electro-Voice CXU grade cables, which are available in various lengths. RF gain at the antenna can be further increased by placing an RE3-ACC-RFAMP RF booster in line using short coax.

Technical specifications

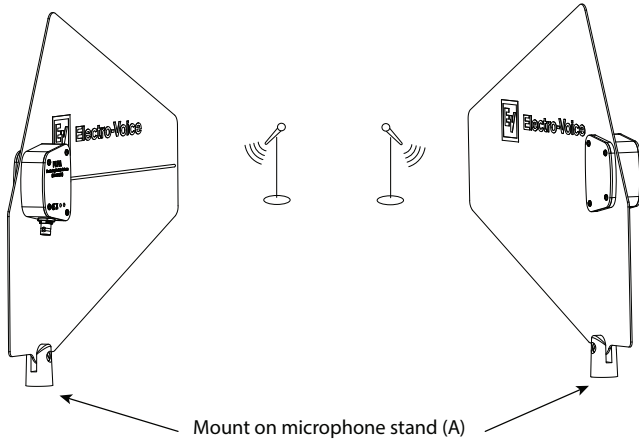
| | |
|--------------------------|---------------------------------|
| Antenna type: | Passive UHF directional antenna |
| Frequency band: | 470 to 960 MHz |
| Effective working angle: | 100 degrees |
| Antenna gain: | 10 dB |
| RF connector : | BNC |
| Color: | Black |
| Net weight: | 13.6 oz. (388 g) |
| Gross weight: | 1 lb 13.6 oz. (840 g) |

Dimensions:



Installation/configuration notes

To mount the antenna, do the following:



A Mount on microphone stand

1. Select locations where antennas will be placed.
2. Attach each antenna to a threaded microphone stand or mounting flange with 5/8 x 27 thread.
3. Connect one end of a BNC-terminated, high quality, low-loss coax cable to the BNC connector on the antenna.
4. Connect the other end of that cable to the BNC RF input jack of the wireless receiver or antenna splitter.



Notice!

The antenna's swivel mount can be tightened as desired using a screwdriver when needed.

Replacement parts

| Order number | Description |
|-----------------|----------------------------|
| ESP-EF01U362353 | PASP splitter module (1pc) |

Compatible products

| Order number | Description |
|----------------|--|
| RE3-ACC-CXU2 | 2 foot antenna coax cable (pair) |
| RE3-ACC-CXU10 | 10 foot, 50 ohm BNC coax cable |
| RE3-ACC-CXU25 | 25 foot, 50 ohm low loss BNC coax cable |
| RE3-ACC-CXU50 | 50 foot, 50 ohm low loss BNC coax cable |
| RE3-ACC-CXU75 | 75 foot, 50 ohm low loss BNC coax cable |
| RE3-ACC-CXU100 | 100 foot, 50 ohm low loss BNC coax cable |
| RE3-ACC-RFAMP | Active RF antenna booster; 470-960MHz |

Parts included

| Quantity | Component |
|----------|---|
| 1 | Passive log periodic antenna |
| 1 | Engineering datasheet |
| 1 | Warranty and product documentation information card |

Ordering information

RE3-ACC-PLPA Passive log periodic antenna, 470-960MHz

Passive log periodic UHF antenna with BNC connector, 470-960MHz, black
 Order number **RE3-ACC-PLPA**

Represented by:

Germany:
 Bosch Sicherheitssysteme GmbH
 Robert-Bosch-Ring 5
 85630 Grasbrunn
 Germany

Bosch Security Systems, Inc.
 12000 Portland Avenue South
 Burnsville MN 55337
 USA

www.electrovoice.com