

EQUINOX

Microbar Multi System Reloaded User Manual



Order code: EQLED138

WARNING

FOR YOUR OWN SAFETY, PLEASE READ THIS USER MANUAL CAREFULLY BEFORE YOUR INITIAL START-UP!

- Before your initial start-up, please make sure that there is no damage caused during transportation.
- Should there be any damage, consult your dealer and do not use the equipment.
- To maintain the equipment in good working condition and to ensure safe operation, it is necessary for the user to follow the safety instructions and warning notes written in this manual.
- Please note that damages caused by user modifications to this equipment are not subject to warranty.



IMPORTANT:

The manufacturer will not accept liability for any resulting damages caused by the non-observance of this manual or any unauthorised modification to the equipment.

- Never let the power cable come into contact with other cables. Handle the power cable and all mains voltage connections with particular caution!
- Never remove warning or informative labels from the unit.
- Do not open the equipment and do not modify the unit.
- Do not connect this equipment to a dimmer pack.
- Do not switch the equipment on and off in short intervals, as this will reduce the system's life.
- Only use the equipment indoors.
- Do not expose to flammable sources, liquids or gases.
- Always disconnect the power from the mains when equipment is not in use or before cleaning! Only handle the power-cable by the plug. Never pull out the plug by pulling the power-cable.
- Make sure that the available mains supply voltage is between 100~240V AC, 50/60Hz.
- Make sure that the power cable is never crimped or damaged. Check the equipment and the power cable periodically.
- If the equipment is dropped or damaged, disconnect the mains power supply immediately and have a qualified engineer inspect the equipment before operating again.
- This unit is not intended for fixed installation.
- If the equipment has been exposed to drastic temperature fluctuation (e.g. after transportation), do not connect power or switch it on immediately. The arising condensation might damage the equipment. Leave the equipment switched off until it has reached room temperature.
- If your product fails to function correctly, stop use immediately. Pack the unit securely (preferably in the original packing material), and return it to your Pro Light dealer for service.
- Only use fuses of same type and rating.
- Repairs, servicing and power connection must only be carried out by a qualified technician. THIS UNIT CONTAINS NO USER SERVICEABLE PARTS.
- This lighting fixture is for professional use only - it is not designed for or suitable for household use. The product must be installed by a qualified technician in accordance with local territory regulations. The safety of the installation is the responsibility of the installer. The fixture presents risks of severe injury or death due to fire hazards, electric shock and falls.
- Warning! Risk Group 2 LED product according to EN 62471. Do not view the light output with optical instruments or any device that may concentrate the beam.
- WARRANTY: One year from date of purchase.

OPERATING DETERMINATIONS

If this equipment is operated in any other way, than those described in this manual, the product may suffer damage and the warranty becomes void. Incorrect operation may lead to danger e.g: short-circuit, burns and electric shocks etc.

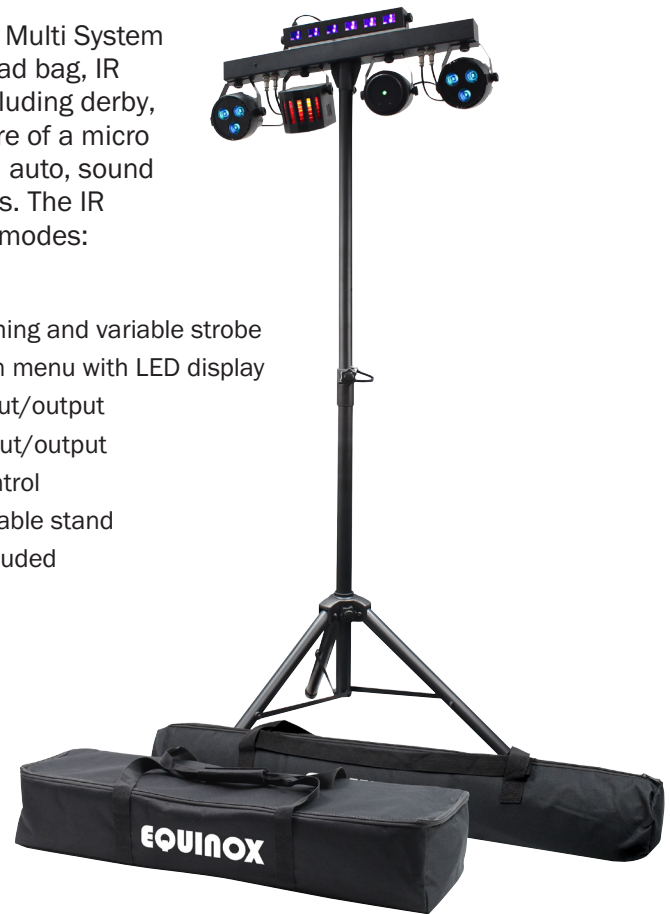
Do not endanger your own safety and the safety of others!

Incorrect installation or use can cause serious damage to people and/or property.

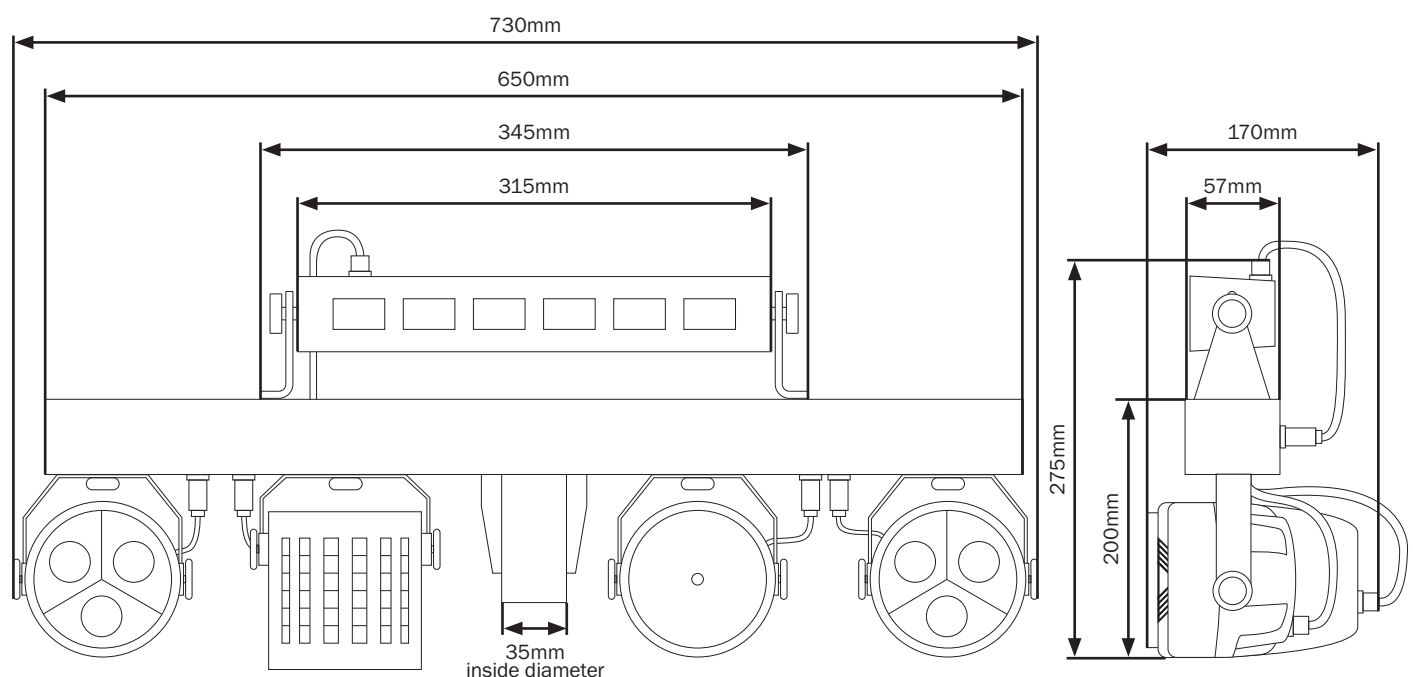
Microbar Multi System Reloaded

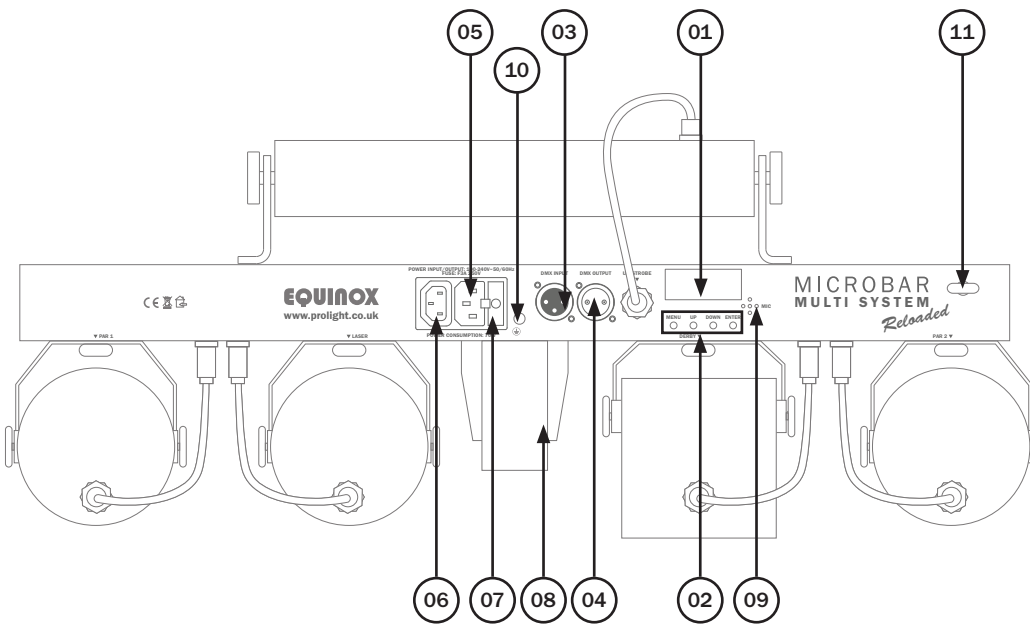
A compact, all-in-one lighting package, the Equinox Microbar Multi System Reloaded includes a robust, heavy duty stand, heavy duty road bag, IR remote, 2 multi-colour LED Par panels and 3 light effects including derby, laser and strobe fitted to a powered T-bar. The 5 LED units are of a micro size and lightweight design. The user has control over colour, auto, sound active and DMX modes, via the LED display and push buttons. The IR remote gives instant and simple control over several control modes: blackout, auto, sound and colour.

- 2 pars each containing 3 x 4W LEDs (RGBW) plus 1 derby containing 4 x 3W LEDs (R: 1, G: 1, B: 1, W: 1), 1 laser containing 1 x 100mW red diode (650nm) and 1 x 30mW green diode (532nm) and 1 strobe bar containing 6 x 4W white and UV LEDs
- Beam angle: 25° (pars)
- DMX channels: 3 or 12 selectable
- Auto, sound active and master/slave modes plus built-in programs
- 0-100% dimming and variable strobe
- 4 push button menu with LED display
- 3-Pin XLR input/output
- IEC power input/output
- IR remote control
- Height adjustable stand
- Carry bag included



Specifications	
Power consumption	55W
Power supply	100~240V, 50/60Hz
Fuse	F3A 250V
Stand height	1600-1850mm
Top hat	35mm
Dimensions (without stand)	275 x 730 x 170mm
Weight	6.3kg
Order code	EQLED138

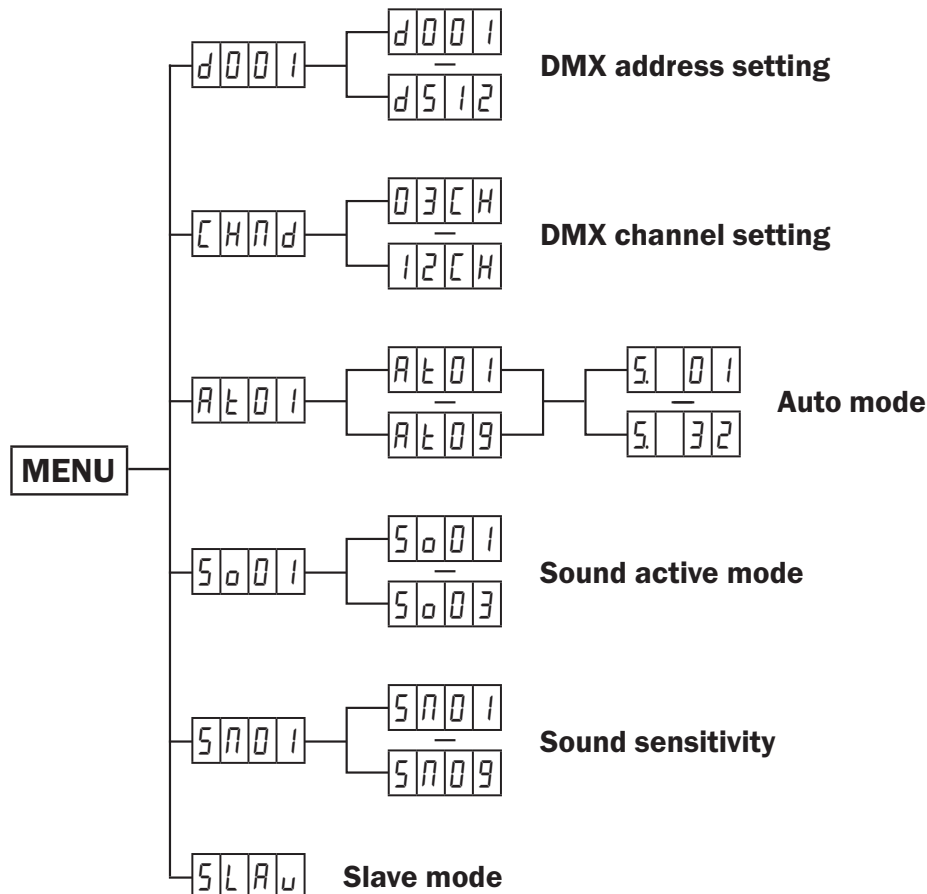




- 01 - LED display
- 02 - Function buttons
- 03 - DMX input
- 04 - DMX output
- 05 - IEC power input
- 06 - IEC power output
- 07 - Fuse F3A 250V
- 08 - 35mm stand adaptor
- 09 - Microphone
- 10 - Earth point
- 11 - Safety eye

In the box: **1 x fixture,**
1 x carry bag,
1 x stand & bag,
1 x IR remote,
1 x power cable &
1 x user manual

Operating instructions



DMX mode:

Operating in a DMX control mode environment gives the user the greatest flexibility when it comes to customising or creating a show. In this mode you will be able to control each individual trait of the fixture and each fixture independently.

To access the DMX address mode, press the “MENU” button and use the “UP” and “DOWN” buttons to show *ddd |* on the LED display. Now press the “ENTER” button and use the “UP” and “DOWN” buttons to set the required DMX address. Press the “ENTER” button to confirm the setting.

To exit out of any of the above options, press the “MENU” button.

DMX channel mode:

To access the DMX channel mode, press the “MENU” button and use the “UP” and “DOWN” buttons to show *[CHd]* on the LED display. Now press the “ENTER” button and use the “UP” and “DOWN” buttons to choose one of the 3 or 12 DMX channel modes. Press the “ENTER” button to confirm the setting.

To exit out of any of the above options, press the “MENU” button.

3 channel mode:

Channel	Value	Function
CH1	000-009	Blackout
	010-039	AT01 - Par + derby + laser + strobe + UV
	040-069	AT02 - Par colour change
	070-099	AT03 - Par + derby + laser
	100-129	AT04 - Par + derby + laser + strobe
	130-159	AT05 - Par + derby + laser + UV
	160-189	AT06 - Par + derby + strobe + UV
	190-219	AT07 - Par + laser + strobe + UV
	220-249	AT08 - Derby + laser + strobe + UV
	250-255	AT09 - Strobe
CH2	000-009	Blackout
	010-089	So01 - Par + derby + laser + strobe + UV
	090-169	So02 - Par + derby + laser + strobe
	170-255	So03 - Derby + laser + strobe + UV
CH3	000-255	Speed/sensitivity adjustment (slow-fast/low-high)

12 channel mode:

Channel	Value	Function	
CH1	000-255	Red (0-100%)	Derby
CH2	000-255	Green (0-100%)	
CH3	000-255	Blue (0-100%)	
CH4	000-255	White (0-100%)	
CH5	000-255	Motor	
CH6	000-255	Red (0-100%)	Pars 1 & 2
CH7	000-255	Green (0-100%)	
CH8	000-255	Blue (0-100%)	
CH9	000-255	White (0-100%)	Laser
CH10	000-063	Off	
	064-127	Red	
	128-197	Green	
	198-255	Red + Green	
CH11	000-255	UV	
CH12	000-009	Blackout	
	010-255	Strobe	

Auto mode:

To access the auto modes, press the “MENU” button and use the “UP” and “DOWN” buttons to show *AŁ01* on the LED display. Now press the “ENTER” button and use the “UP” and “DOWN” buttons to choose between *AŁ01 ~ AŁ09*. Now press the “ENTER” button and use the “UP” and “DOWN” buttons to select the speed between *5.01 ~ 5.32*. Press the “ENTER” button to confirm the setting. To exit out of any of the above options, press the “MENU” button.

AT01	Par + derby + laser + strobe + UV
AT02	Par colour change
AT03	Par + derby + laser
AT04	Par + derby + laser + strobe
AT05	Par + derby + laser + UV
AT06	Par + derby + strobe + UV
AT07	Par + laser + strobe + UV
AT08	Derby + laser + strobe + UV
AT09	Strobe

Sound active mode:

To access the sound active modes, press the “MENU” button and use the “UP” and “DOWN” buttons to show *5001* on the LED display. Now press the “ENTER” button and use the “UP” and “DOWN” buttons to choose between *5001 ~ 5003*. Press the “ENTER” button to confirm the setting. To exit out of any of the above options, press the “MENU” button.

Sound sensitivity:

To adjust the sound sensitivity, press the “MENU” button and use the “UP” and “DOWN” buttons to show *5001* on the LED display. Now press the “ENTER” button and use the “UP” and “DOWN” buttons to choose between *5001 ~ 5009*. Press the “ENTER” button to confirm the setting.

Value: 01 - 09 (01 = low, 09 = high)

To exit out of any of the above options, press the “MENU” button.

Master/slave mode:

To set the master unit select your desired program (auto or sound).

To set the other units in slave mode, press the “MENU” button to show *SLAV* on the LED display. Press the “ENTER” button to confirm the setting. The unit will now run in sequence with the master unit.

To exit out of any of the above options, press the “MENU” button.

Please ensure that all slave units are set to the same DMX channel mode as the master unit.

Warning notices on the fixture:



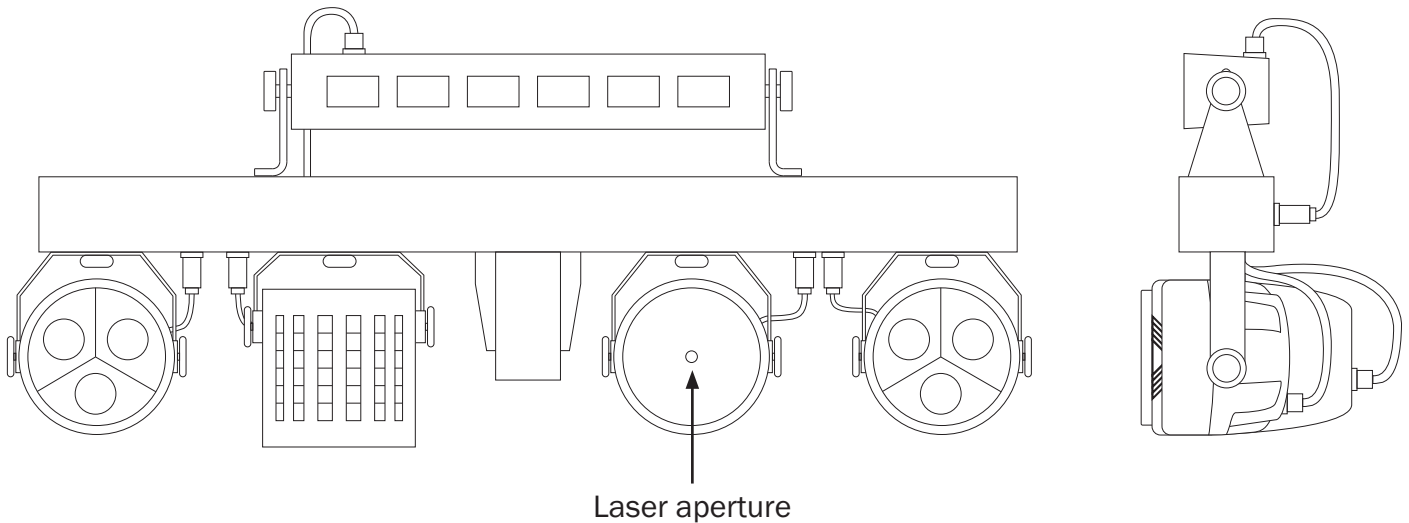
Laser radiation!
Avoid exposure to beam.



Laser aperture warning.
Do not look into aperture.



Class 3B laser



Additional warning notices:

Take off all reflective items like rings, watches etc. before starting to work with this fixture.

Only use non reflective tools to work on the device.

Wear protective clothing like goggles, gloves etc. in accordance with regulations based on the lasers power and wavelength of the laser.

Do not face spotlights (especially moving heads) at the fixture.

Class 3B laser products may have an output power of up to 500 mW (half a watt). Class 3B laser products may have sufficient power to cause an eye injury, both from the direct beam and from reflections. The higher the radiant power of the device the greater the risk of injury. Class 3B laser products are therefore considered hazardous to the eye. However, the extent and severity of any eye injury arising from an exposure to the laser beam of a Class 3B laser product will depend upon several factors including the radiant power entering the eye and the duration of the exposure.

Class 3B laser products which approach the upper limit for the Class may produce minor skin injuries or even pose a risk of igniting flammable materials. Examples of Class 3B products include lasers used for physiotherapy treatments and many research lasers.

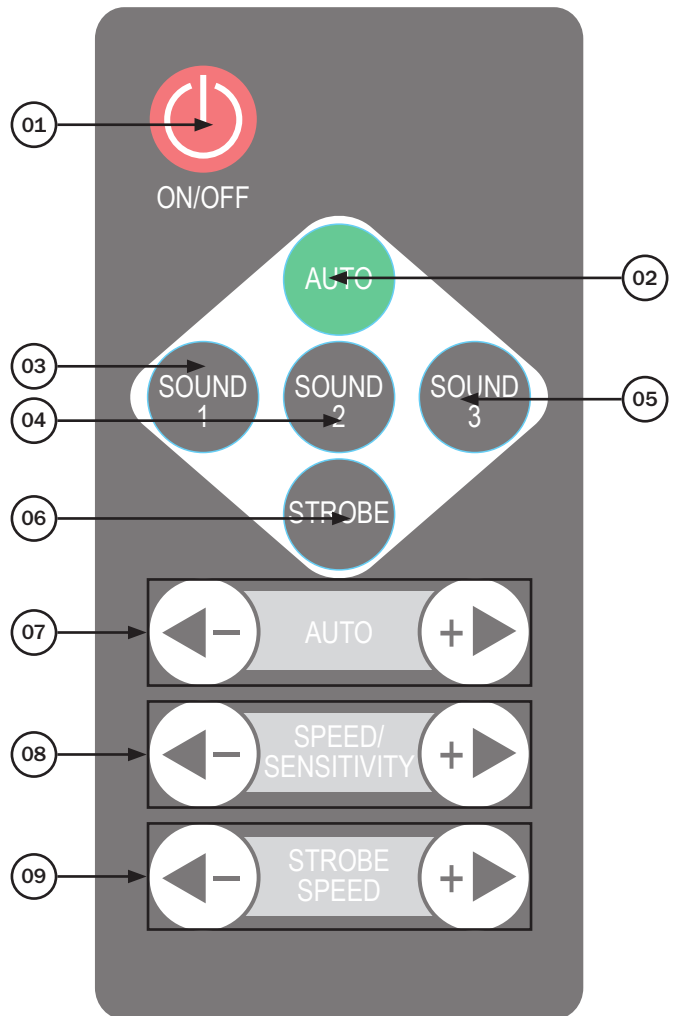
Class 3B lasers are not suitable for general use by consumers.

For more information visit: www.plasa.org/wp-content/uploads/2017/11/plasa_laser_guidance-1.pdf

IR remote functions:

Button functions:

- 01 - Sets the unit into blackout on or off
- 02 - Runs the Auto modes - Use the Auto '+' and '-' buttons to change the desired program
- 03 - Runs the Sound 1 mode
- 04 - Runs the Sound 2 mode
- 05 - Runs the Sound 3 mode
- 06 - Runs the Strobe mode
- 07 - Sets the auto program - Use the '+' and '-' buttons to change the desired program
- 08 - Sets the run speed/sensitivity - Use the '+' and '-' buttons to change the desired speed (auto mode)/sensitivity (sound mode)
- 09 - Sets the strobe mode run speed - Use the '+' and '-' buttons to change the desired speed



Setting the DMX address:

The DMX mode enables the use of a universal DMX controller. Each fixture requires a “start address” from 1- 512. A fixture requiring one or more channels for control begins to read the data on the channel indicated by the start address. For example, a fixture that occupies or uses 7 channels of DMX and was addressed to start on DMX channel 100, would read data from channels: 100, 101, 102, 103, 104, 105 and 106. Choose a start address so that the channels used do not overlap. E.g. the next unit in the chain starts at 107.

DMX 512:

DMX (Digital Multiplex) is a universal protocol used as a form of communication between intelligent fixtures and controllers. A DMX controller sends DMX data instructions from the controller to the fixture. DMX data is sent as serial data that travels from fixture to fixture via the DATA “IN” and DATA “OUT” XLR terminals located on all DMX fixtures (most controllers only have a data “out” terminal).

DMX linking:

DMX is a language allowing all makes and models of different manufactures to be linked together and operate from a single controller, as long as all fixtures and the controller are DMX compliant. To ensure proper DMX data transmission, when using several DMX fixtures try to use the shortest cable path possible. The order in which fixtures are connected in a DMX line does not influence the DMX addressing. For example; a fixture assigned to a DMX address of 1 may be placed anywhere in a DMX line, at the beginning, at the end, or anywhere in the middle. When a fixture is assigned a DMX address of 1, the DMX controller knows to send DATA assigned to address 1 to that unit, no matter where it is located in the DMX chain.

DATA cable (DMX cable) requirements (for DMX operation):

This fixture can be controlled via DMX-512 protocol. The DMX address is set on the back of the unit. Your unit requires either a standard 3-pin or 5-pin XLR connector for data input/output, see images below.



Further DMX cables can be purchased from all good sound and lighting suppliers or Prolight Concepts dealers.

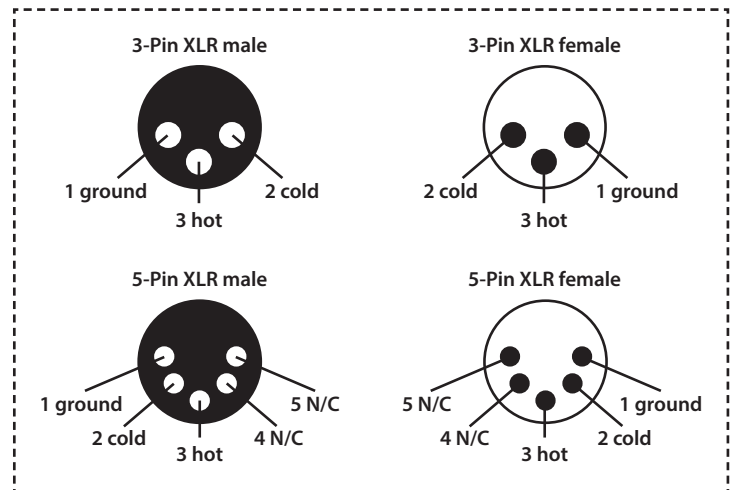
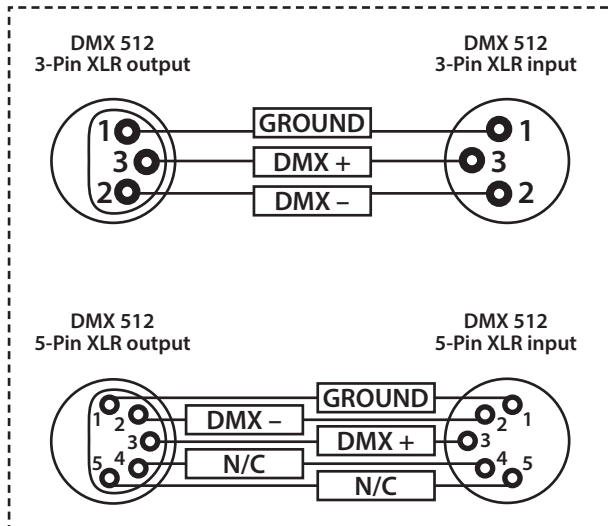
Please quote:	3-Pin:	CABL10 - 2m	CABL11 - 5m	CABL12 - 10m
	5-Pin:	CABL185 - 2m	CABL187 - 5m	CABL188 - 10m

Also remember that DMX cable must be daisy chained and cannot be split.

Notice:

Be sure to follow the diagrams below when making your own cables. Do not connect the cables shield conductor to the ground lug or allow the shield conductor to come in contact with the XLRs outer casing. Grounding the shield could cause a short circuit and erratic behaviour.

Pin Configuration	
3-Pin	5-Pin
	Pin 1 - Ground
	Pin 2 - Negative
	Pin 3 - Positive
-	Pin 4 - N/C
-	Pin 5 - N/C

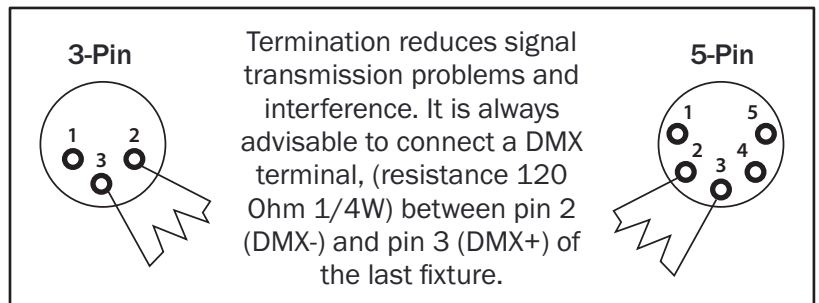


Line termination:

When longer runs of cable are used, you may need to use a terminator on the last unit to avoid erratic behaviour.

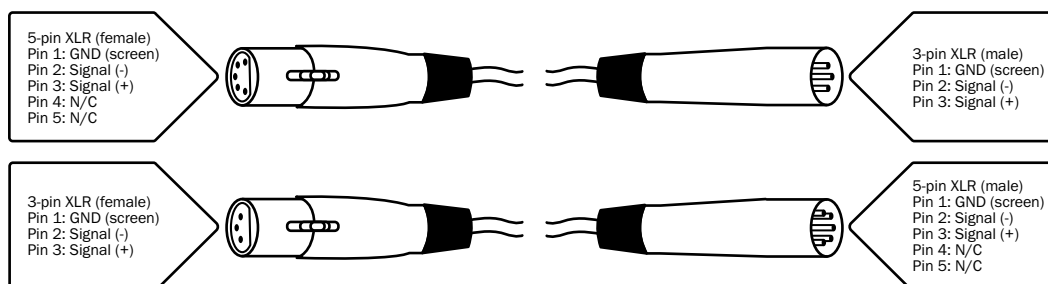
Using a cable terminator will decrease the possibilities of erratic behaviour.

(3-pin - Order ref: CABL90,
5-pin - Order ref: CABL89)



5-pin XLR DMX connectors:

Some manufactures use 5-pin XLR connectors for data transmission in place of 3-pin. 5-pin XLR fixtures may be implemented in a 3-pin XLR DMX line. When inserting standard 5-pin XLR connectors in to a 3-pin line a cable adaptor must be used. The diagram below details the correct cable conversion.





Correct Disposal of this Product (Waste Electrical & Electronic Equipment)

**(Applicable in the European Union and other European countries
with separate collection systems)**

This marking shown on the product or its literature, indicates that it should not be disposed of with other household wastes at the end of its working life. To prevent possible harm to the environment or human health from uncontrolled waste disposal, please separate this from other types of wastes and recycle it responsibly to promote the sustainable reuse of material resources.

Household users should contact either the retailer where they purchased this product, or their local government office, for details of where and how they can take this item for environmentally safe recycling.

Business users should contact their supplier and check the terms and conditions of the purchase contract. This product should not be mixed with other commercial wastes for disposal.



EQUINOX