

SRM1801

Mackie SRM1801 powered subwoofers provide intense low-frequency extension and punch to the Mackie SRM450v2 and other powered loudspeakers.

The SRM1801 powered subwoofer delivers 1000W peak power via Class-D Fast Recovery™ amplification. The Class-D amp design is ultra-efficient and, along with the lightweight switch-mode power supply, drastically reduces this subwoofer's weight.

Premium circuitry includes built-in Active electronics, like a precision crossover and tuning filters for accurate bass response. Also included with the SRM1801 are user-friendly features such as high-pass and full-range outputs for stereo operation with a single sub. A polarity switch allows phase alignment of the SRM1801 to the full-range loudspeakers.

A custom-designed transducer maximizes efficiency and performance when matched with the system's internal amp. The 18-inch woofer uses a ferrite magnet with a 3-inch voice coil.

The solid plywood enclosure features a ported bass reflex design that produces tight low end. This makes the sub extremely lightweight and portable, without compromising power and performance. The integrated pole-cup accommodates a standard mounting pole. Pair the SRM1801 with the popular Mackie SRM450v2 or TH-15a for an extremely powerful, portable and professional PA solution.

APPLICATIONS

Small to mid-size club/band PA systems, houses of worship, DJs, rehearsal spaces, gymnasiums, banquet halls, A/V rentals and many, many more.



FEATURES:

- 18" Powered Subwoofer System
- 18" woofer with a 3" voice coil delivers superior output and low-frequency extension
- 1000W of efficient Class-D Fast Recovery™ amplification
- Mackie Active electronics provide total system optimization:
 - Precision crossover @ 125 Hz
 - Precision tuning filters for accurate bass response
- Dual XLR inputs for mono or stereo applications
- Stereo high-pass and full-range outputs
- User-adjustable level and polarity controls
- Individual power, signal, OL, and thermal protect indicators
- Pole receptacle for mounting full-range loudspeakers
- Solid plywood enclosure with high-durability, textured black paint
- Extremely lightweight and portable (73 lb / 33.1 kg)

SRM1801 SPECIFICATIONS

Acoustic Performance

Frequency Response (-10 dB)	35 Hz - 150 Hz
Frequency Response (-3 dB)	50 Hz - 115 Hz
Max SPL peak (calculated) ¹	129 dB
Max SPL peak (measured) ²	124 dB

¹ Calculated from peak driver sensitivity and amplifier power, half space.

² Measured with swept sine at 1 W within operating range, scaled for max power, half space.

Transducer

Diameter	18.0 in / 457 mm
Voice Coil Diameter	3.0 in / 76 mm
Diaphragm Material	Paper
Magnet Material	Ferrite

Power Amplifier

Rated Power	500 watts rms 1000 watts peak
Rated THD	< 0.1%
Cooling	Convection
Design	Class D

Input / Output

Input Type	Female XLR Balanced differential (stereo left / right)
Input Impedance	20 k Ω balanced
Full Range Output	Male XLR Balanced (parallel with input)
High Pass Output	Male XLR Balanced
Level Control	-6 dB to +6 dB

Electronic Crossover

Crossover Type	24 dB / oct. Linkwitz-Riley
Crossover Frequency	125 Hz

Protection Features

Over-excursion Protection	40 Hz 24 dB / oct. Butterworth High Pass Filter
Thermal Protection	Amplifier mute, auto reset
Driver Protection	Peak / RMS Limiter
Display LEDs	Thermal, OL, Signal, Power
Operating Temperature	0° - 40°C 32° - 104°F

AC Power Requirements

US	100 - 120 VAC, 50 - 60 Hz 160 watts
EU	220 - 240 VAC, 50 - 60 Hz 160 watts
AC Connector	3-pin IEC 250 VAC 15 A male

Construction Features

Basic Design	Trapezoidal
Material	Void-free plywood
Finish	Textured black catalyzed polyurethane paint
Handles	One on each side
Grille	Perforated metal

Physical Properties (packaged product)

Height	27.2 in / 691 mm
Width	24.0 in / 610 mm
Depth	29.3 in / 744 mm
Shipping Weight	80.0 lb / 36.3 kg

Physical Properties (product)

Height	24.1 in / 612 mm
Front Width	20.2 in / 513 mm
Rear Width	15.1 in / 383 mm
Depth	25.3 in / 643 mm
Weight	73 lb / 33.1 kg

Mounting Methods

Floor mount only
WARNING: The cabinet has no rigging points and is not suitable for rigging. NEVER attempt to suspend the SRM1801 by its handles.

Options

SPM200 Loudspeaker Pole Mount	P/N 2035170-01
SRM1801 Cover	P/N 2036809-05

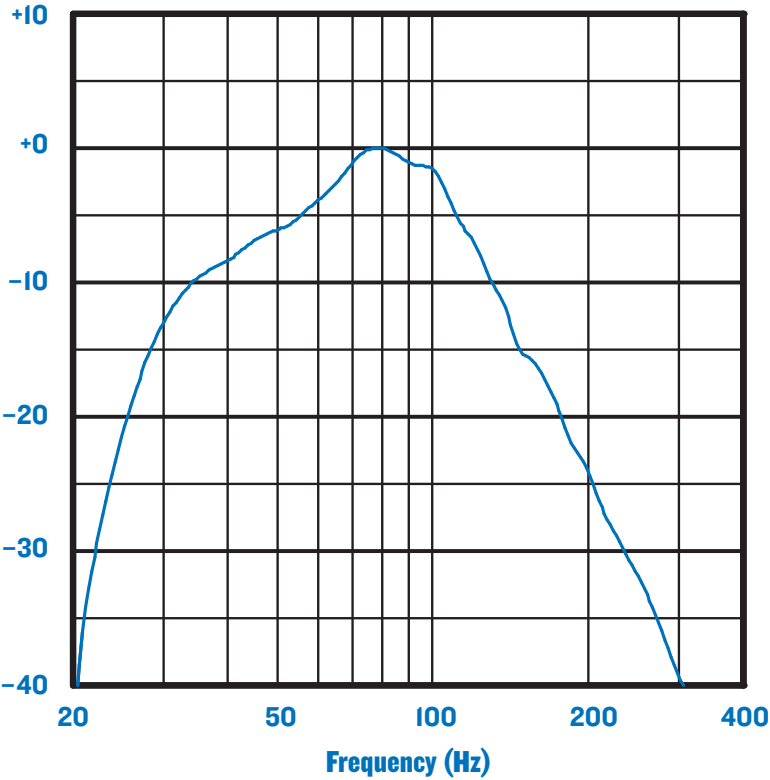
Ordering Information

SRM1801 18" Powered Subwoofer, US	P/N 0033250-00
SRM1801 18" Powered Subwoofer, EU	P/N 0033250-01

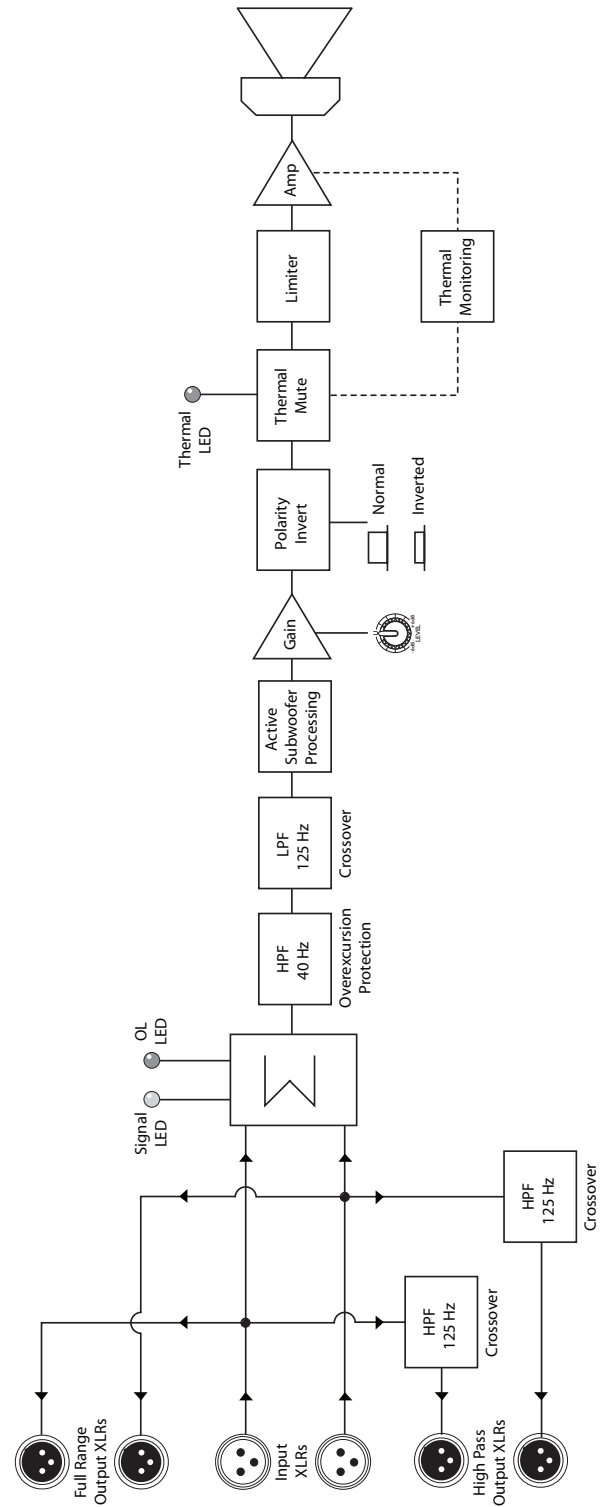
SRM1801 FREQUENCY RESPONSE

1/3 OCTAVE RESPONSE

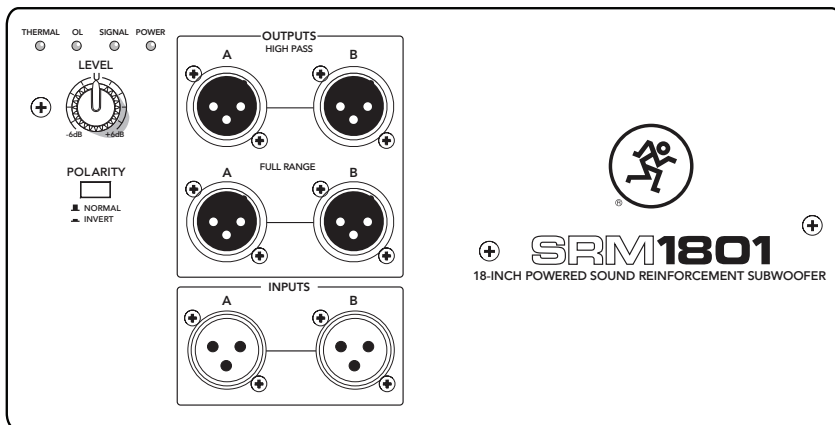
Normalized to 0 dB SPL



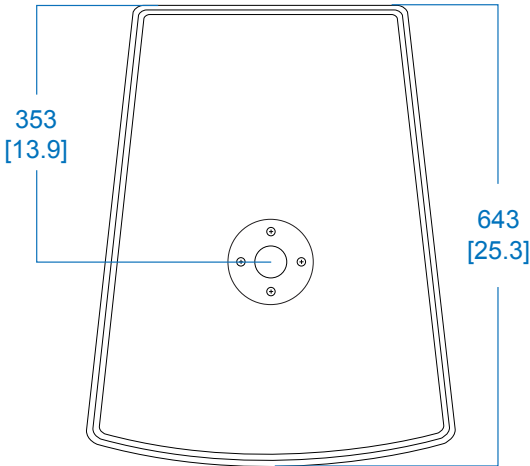
SRM1801 BLOCK DIAGRAM



SRM1801 INPUT PANEL



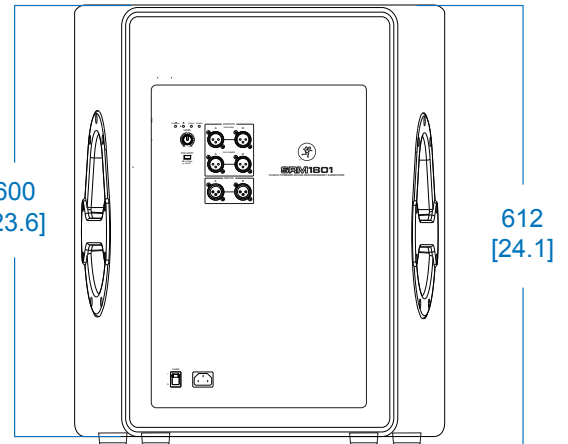
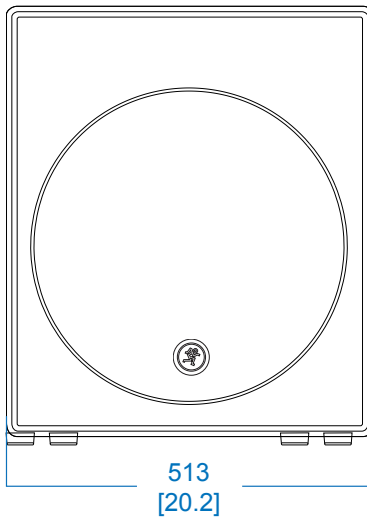
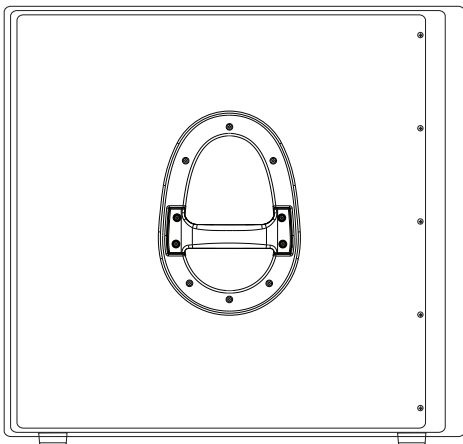
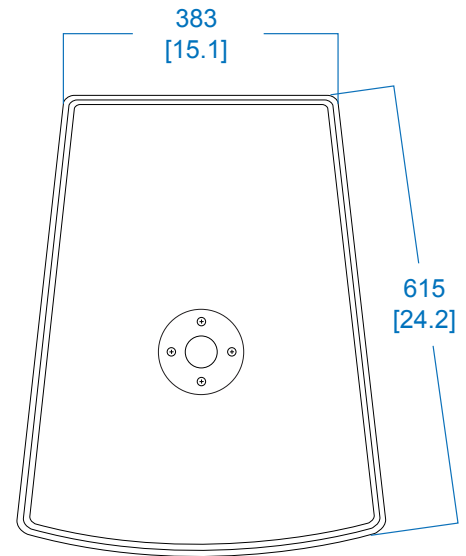
SRM1801 DIMENSIONS



UNLESS OTHERWISE SPECIFIED: ALL DIMENSIONS ARE IN MILLIMETERS. DUAL [INCHES] DIMENSIONS FOR REF ONLY.
TOLERANCES
 LINEAR ± 3.3 mm / ± 0.13 in; ANGLES $\pm 1^\circ$
 (X.XX) = REF DIMS
 NO TOLERANCE IMPLIED
 TSC=THEORETICAL SHARP CORNER
 DIMENSIONS ACROSS CENTERLINES TO BE SYMMETRICAL

NOTES:

1. WEIGHT APPROX. 33.1 kg [73 lb]
2. SHIPPING WEIGHT APPROX. 36.3 kg [80 lb]



MACKIE®

www.mackie.com
 16220 Wood-Red Road NE
 Woodinville, WA 98072 USA
 800-898-3211, Fax 425-487-4337, sales@mackie.com

Part No. SW0849 Rev. B 07/11

Electronic files for this product are available at:
www.mackie.com

Specification Sheet	SRM1801_SS.PDF
Owner's Manual	SRM1801_OM.PDF

Since we are always striving to make our products better by incorporating new and improved materials, components, and manufacturing methods, we reserve the right to change these specifications at any time without notice. "Mackie" and the "Running Man" figure are registered trademarks of LOUD Technologies Inc. All other brand names mentioned are trademarks or registered trademarks of their respective holders, and are hereby acknowledged.

©2011 LOUD Technologies Inc. All Rights Reserved.