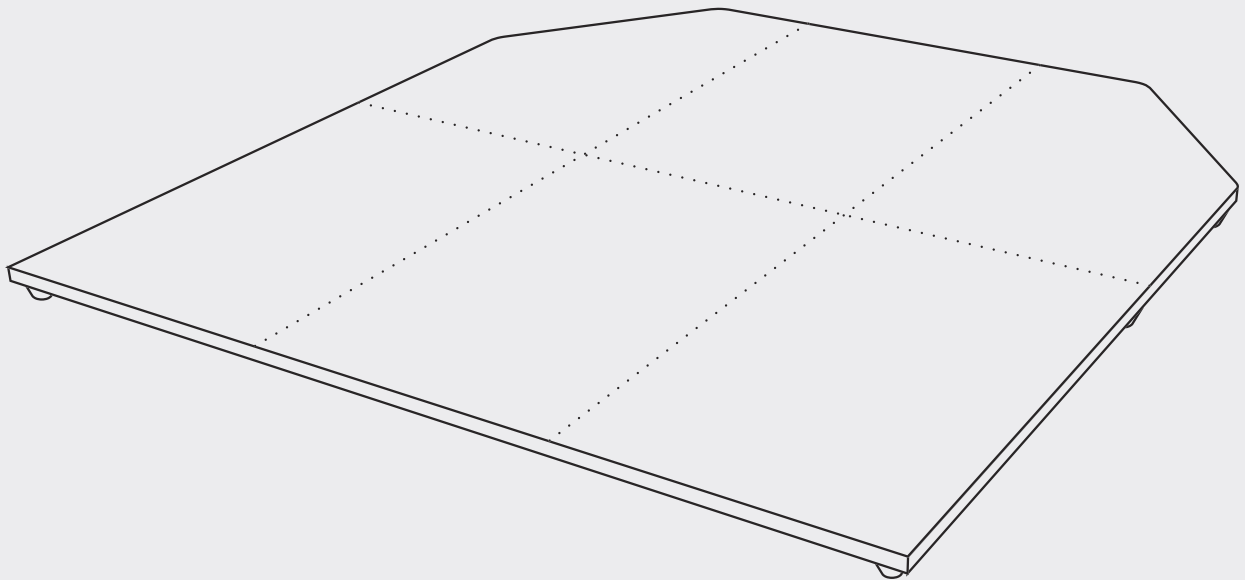




# DRUM PODIUM

## SETUP GUIDE

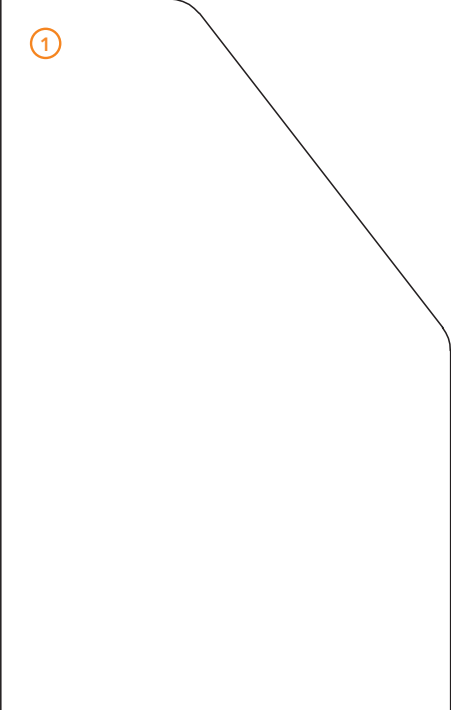
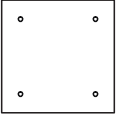

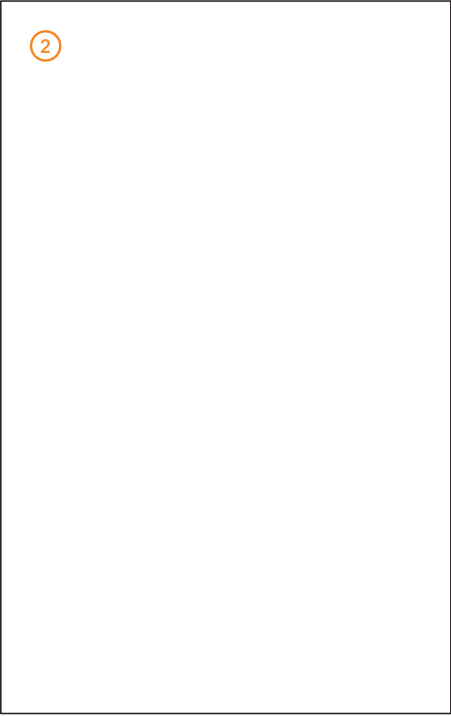





---

# CONTENTS CHECKLIST

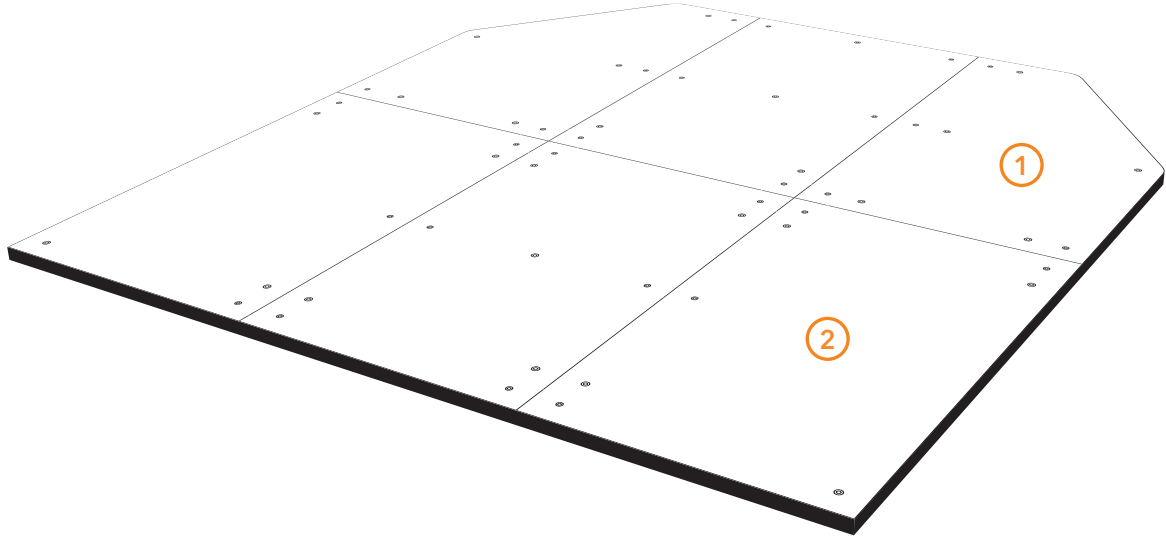
First, check the contents of the package and make sure you have everything you need.

To complete the assembly of this product, you will require a hex key (included).

 <p>①</p> <p>x2</p>	
 <p>③</p> <p>x2</p>	
 <p>④</p> <p>x10</p>	
 <p>②</p> <p>x4</p>	 <p>⑤</p> <p>x27</p>
 <p>⑥</p> <p>x55</p>	
 <p>⑦</p> <p>x2</p>	

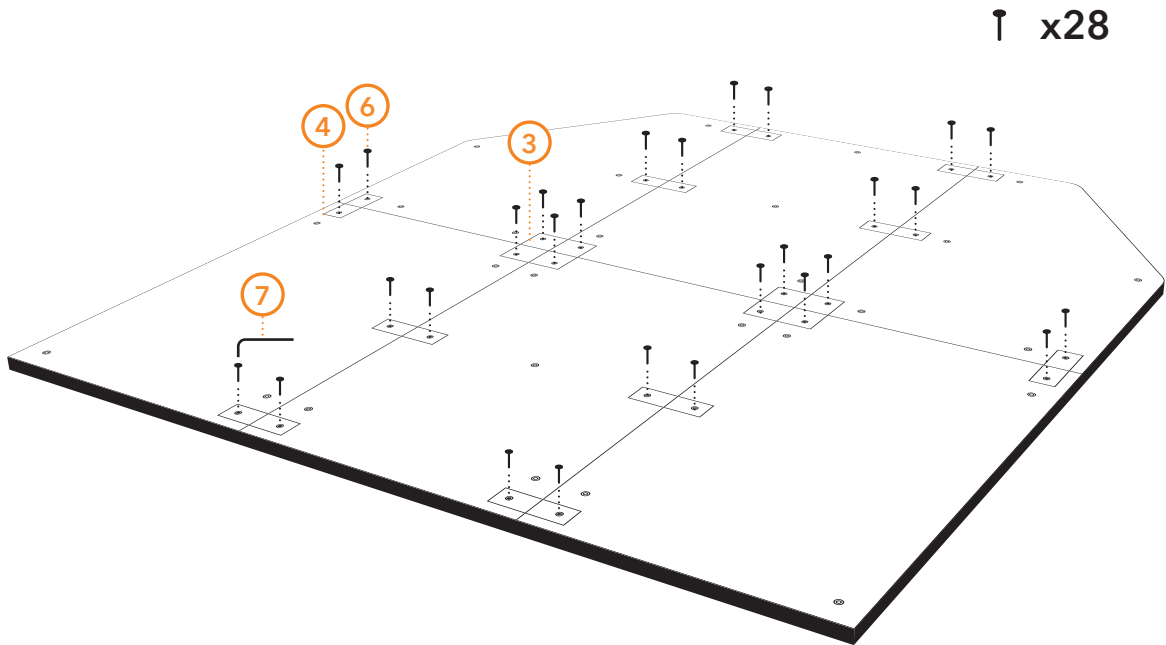
---

**1**

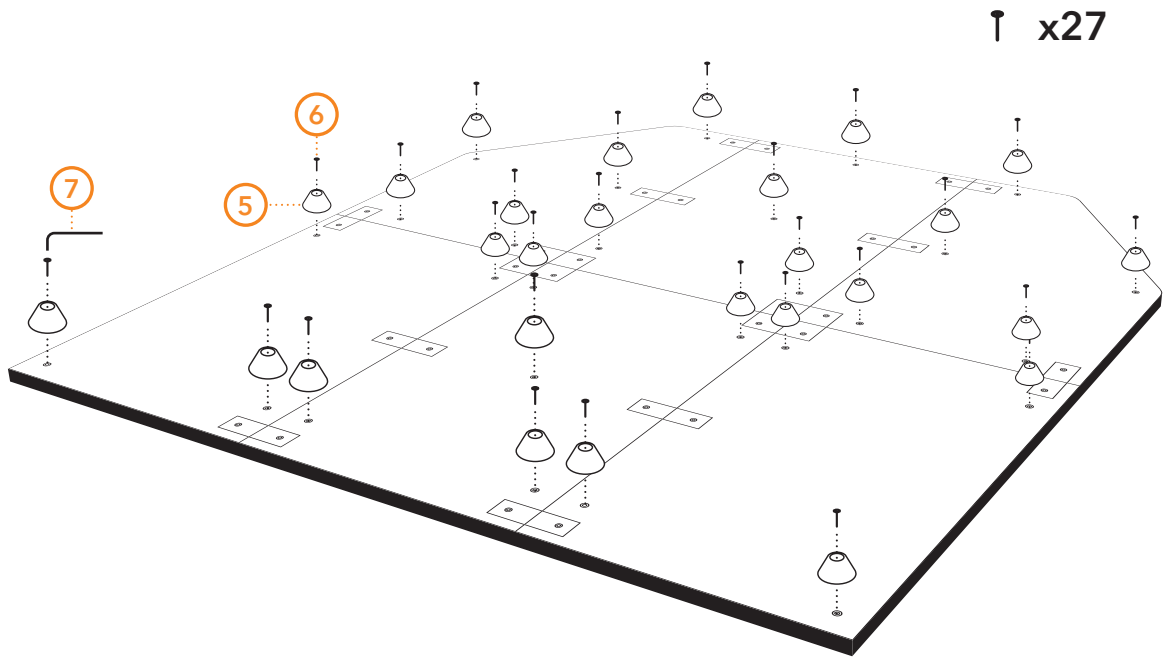


---

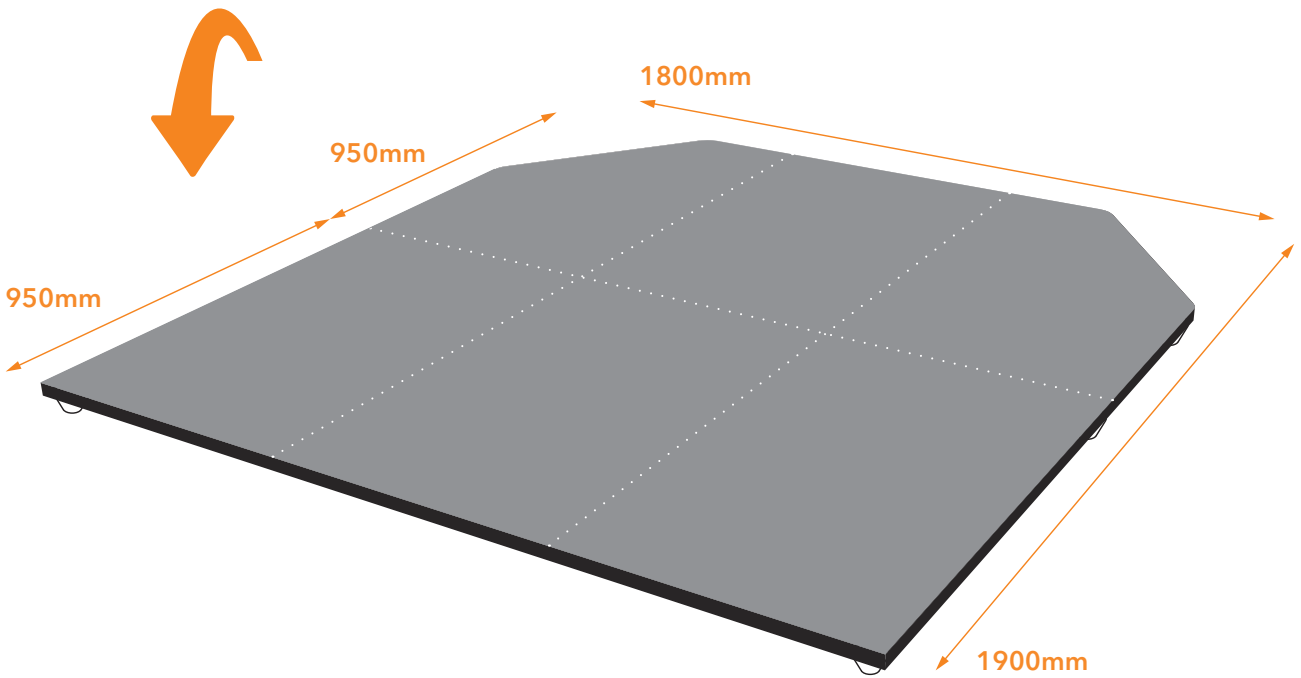
**2**



3



4





If you have any more questions about this product, please do not hesitate to contact the Gear4music Customer Service Team on: **+44 (0) 330 365 4444** or **[info@gear4music.com](mailto:info@gear4music.com)**