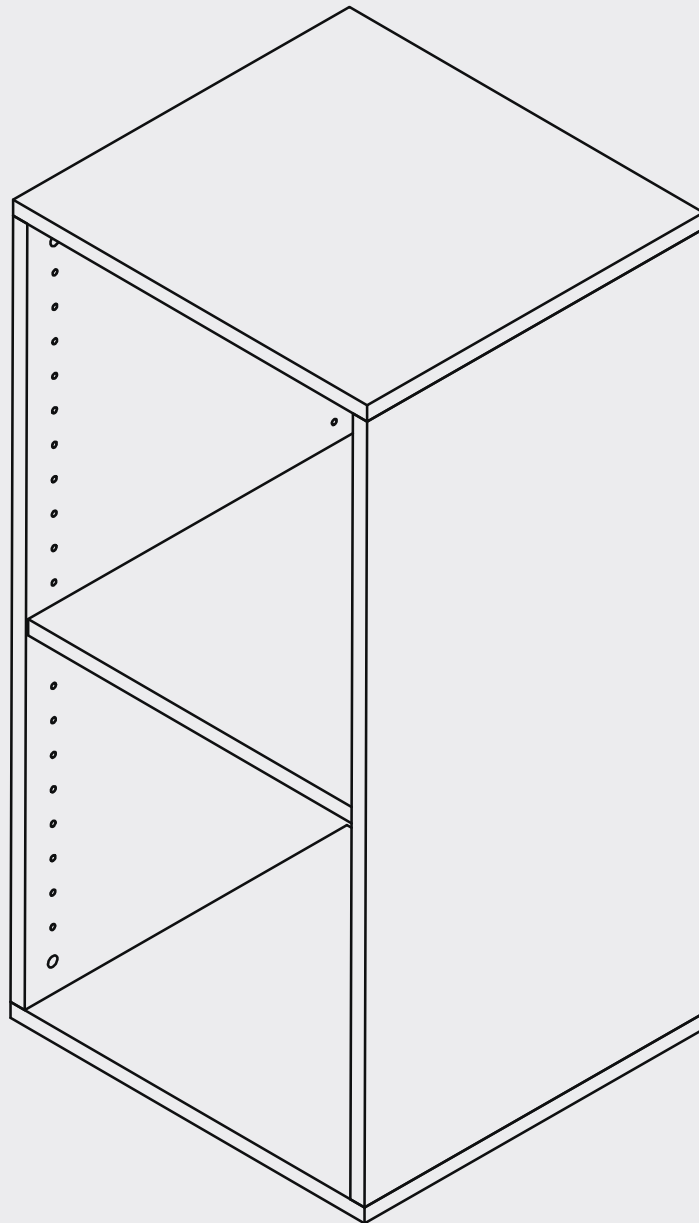




LP CABINET

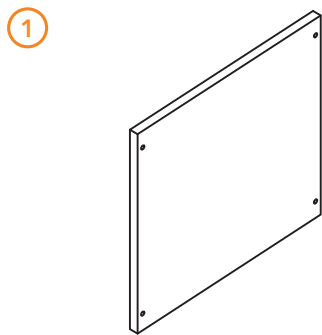
SETUP GUIDE



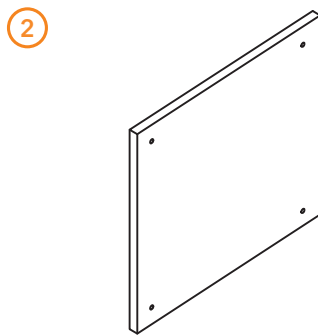
CONTENTS CHECKLIST

First, check the contents of the package and make sure you have everything you need.

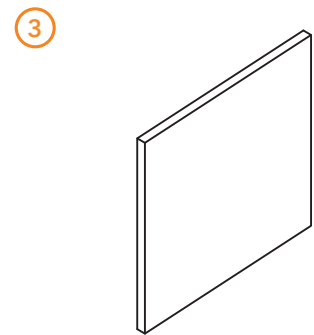
To complete the assembly of this product, you will require a cross-head screwdriver (not included).



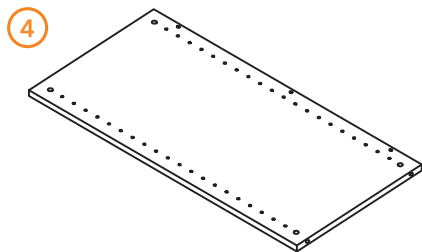
X1



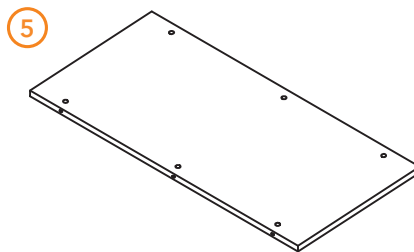
X1



X1



X2



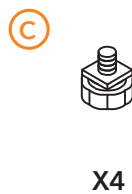
X1



X14



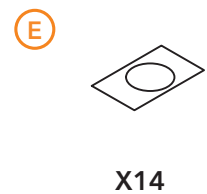
X14



X4

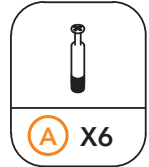
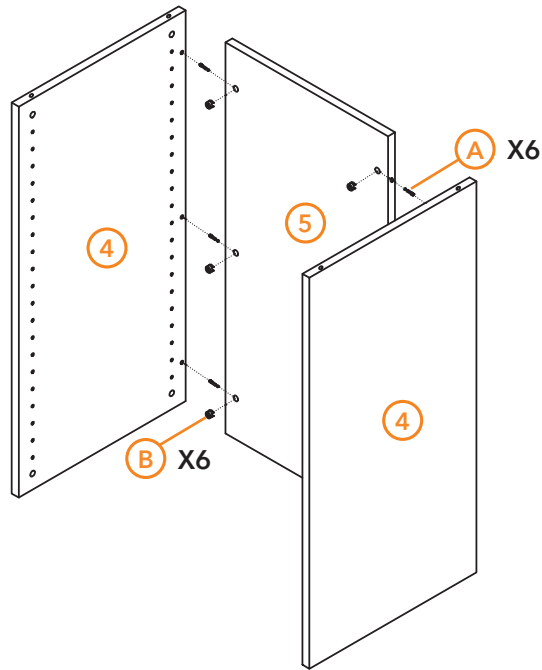


X4

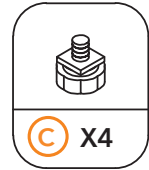
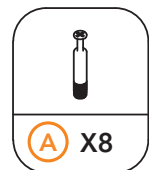
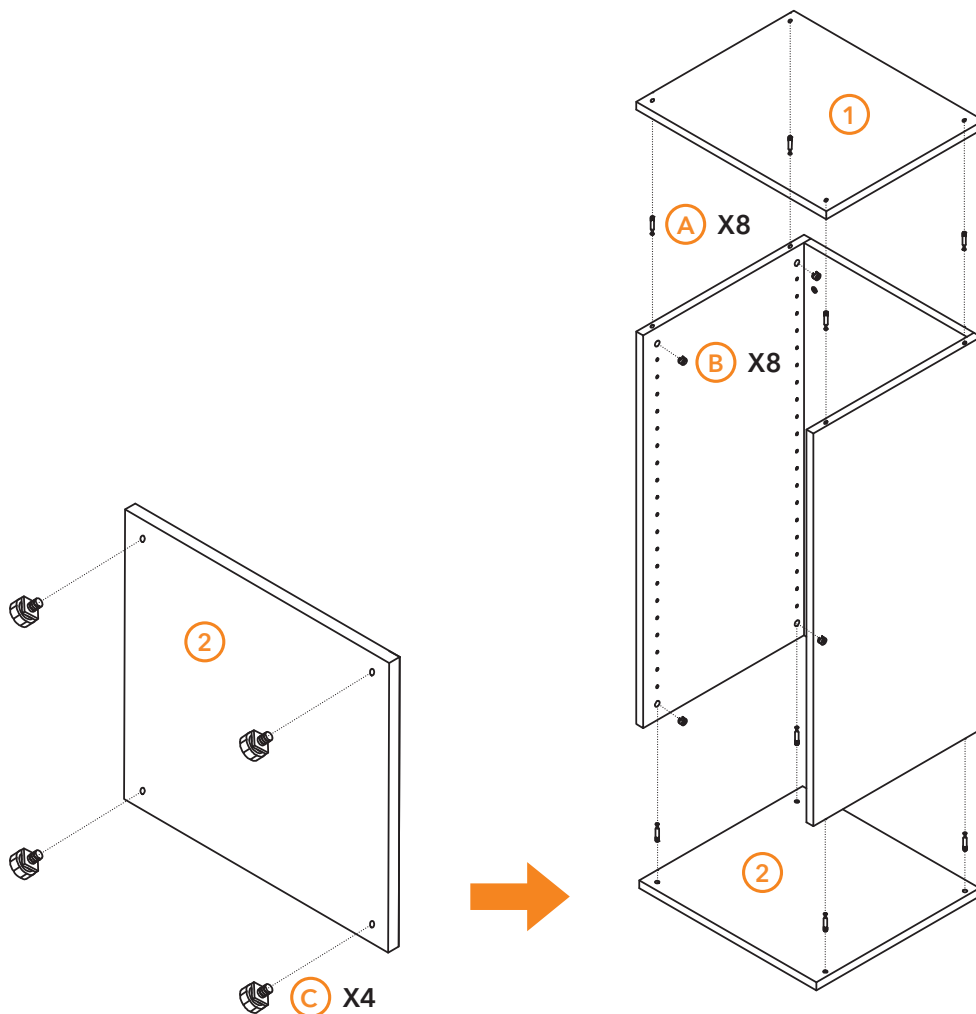


X14

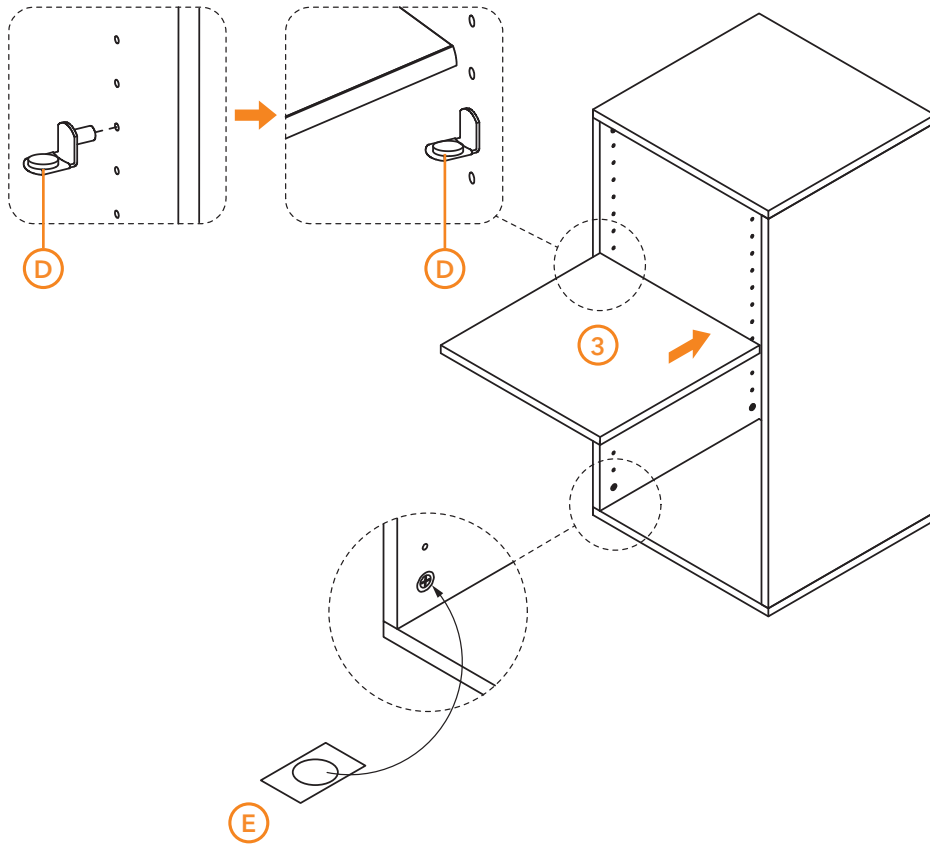
1



2



3



DIMENSIONS



If you have any more questions about this product, please do not hesitate to contact the Gear4music Customer Service Team on: **+44 (0) 330 365 4444** or **info@gear4music.com**