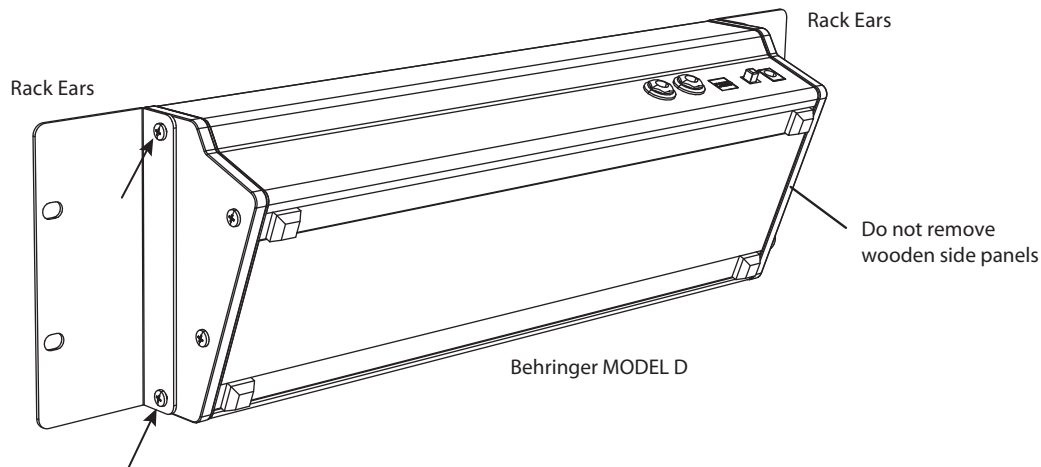


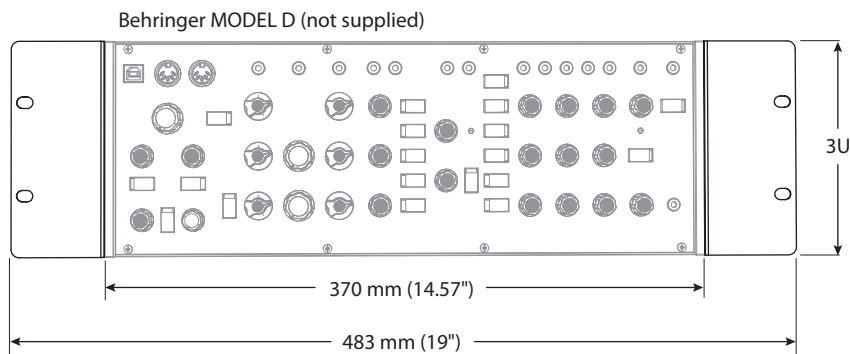
# Quick Start Guide

## EURORACK EARS (70 HP/80 HP)

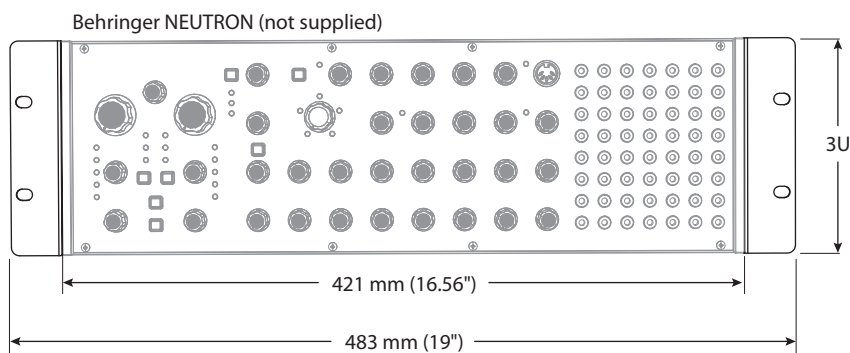
### 19" Rack Ears for 70 HP/80 HP Eurorack Chassis



Use existing screws x 4 and tighten the Rack Ears securely to the synthesizer



EURORACK EARS (70 HP)  
Use with Behringer 70 HP wide EURORACK equipment, such as: MODEL D



EURORACK EARS (80 HP)  
Use with Behringer 80 HP wide EURORACK equipment, such as: NEUTRON

#### LEGAL DISCLAIMER

Music Tribe accepts no liability for any loss which may be suffered by any person who relies either wholly or in part upon any description, photograph, or statement contained herein. Technical specifications, appearances and other information are subject to change without notice. All trademarks are the property of their respective owners. Midas, Klark Teknik, Lab Gruppen, Lake, Tannoy, Turbosound, TC Electronic, TC Helicon, Behringer, Bugera, Auratone and Coolaudio are trademarks or registered trademarks of Music Tribe Global Brands Ltd. © Music Tribe Global Brands Ltd. 2019 All rights reserved.

#### LIMITED WARRANTY

For the applicable warranty terms and conditions and additional information regarding Music Tribe's Limited Warranty, please see complete details online at [musictribe.com/warranty](http://musictribe.com/warranty).

#### Zhongshan Eurotec Electronics Limited

No. 10 Wanmei Road, South China Modern Chinese Medicine Park, Nanlang Town, 528451, Zhongshan City, Guangdong Province, China

#### ⚠ Important Safety Information

CAUTION: The power switch of the equipment being rack mounted should always remain readily accessible and operable.

