



# DIGITAL DRUM KIT

## SETUP GUIDE

DD400





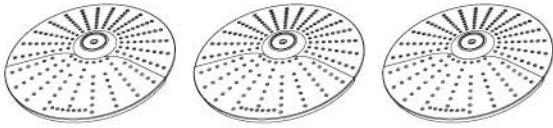
**DD400  
DIGITAL  
DRUM KIT  
SETUP GUIDE**



# CONTENTS CHECKLIST

## CYMBAL PAD BOX

A x3



## DRUM PAD BOX

B x4



## BASS DRUM BOX

C x1



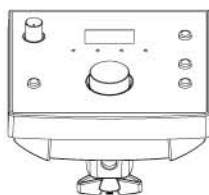
## HI-HAT PEDAL BOX

D x1



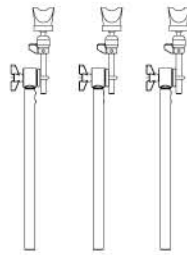
## DRUM MODULE BOX

E x1

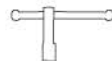


## ACCESSORIES BOX

F x3



G x1



H x1 (165mm)



J x1



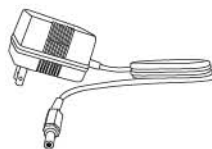
K x3



L x4 (110mm)



M x1



N x1

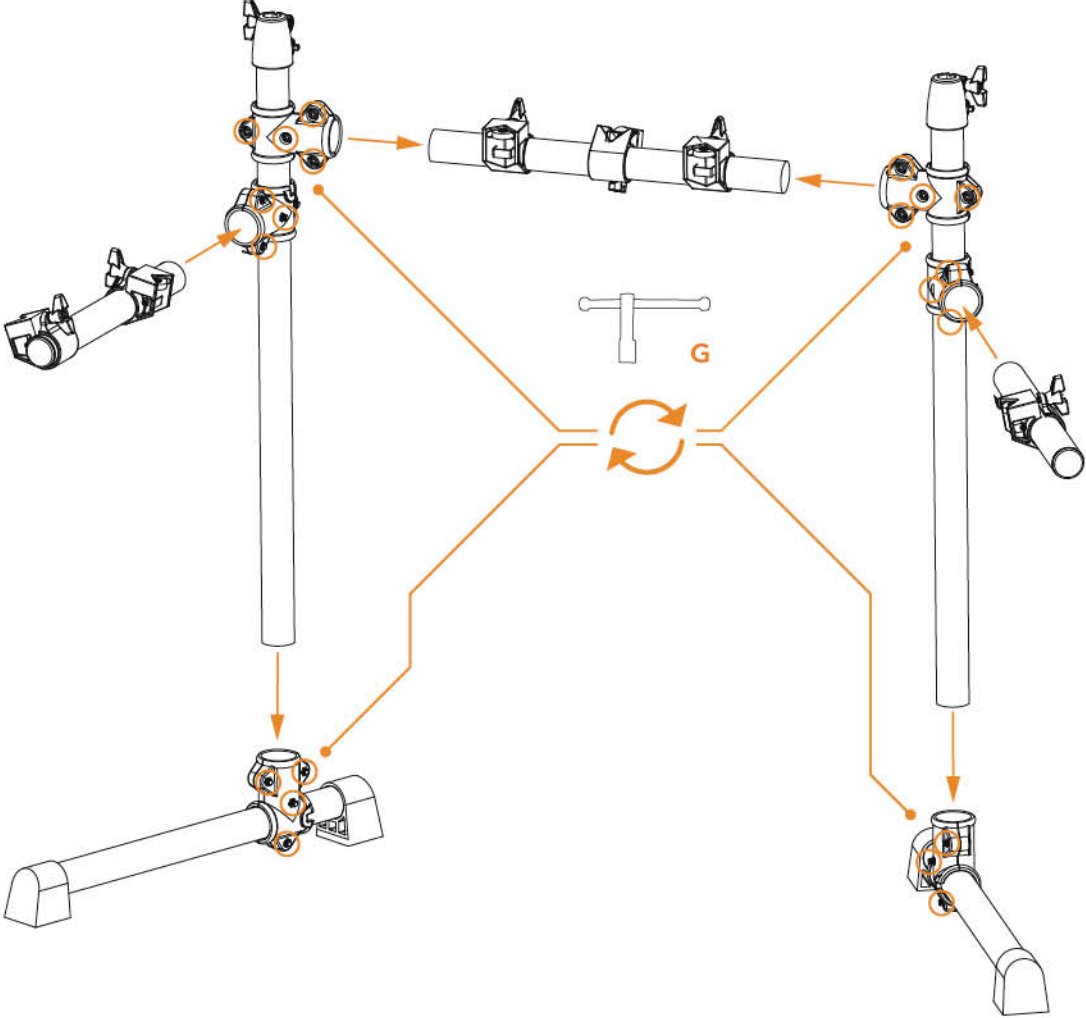


P x1



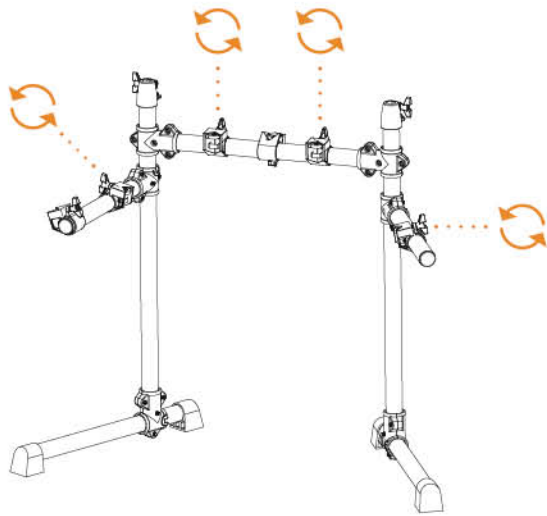
---

# BUILDING THE STAND

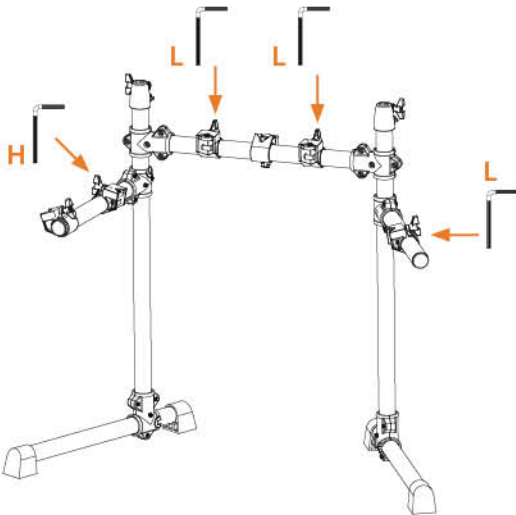


# ATTACH THE PARTS

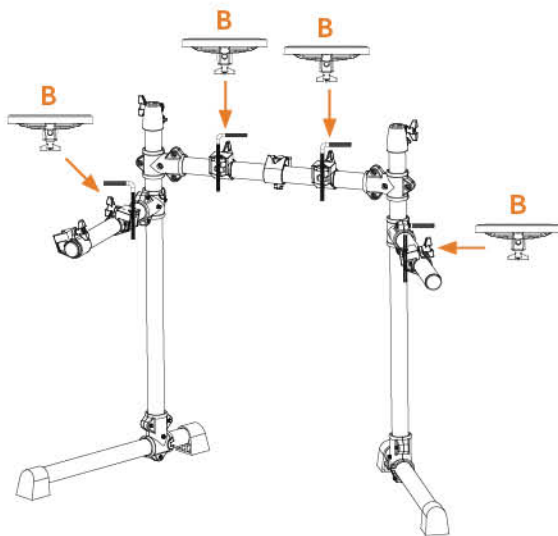
1



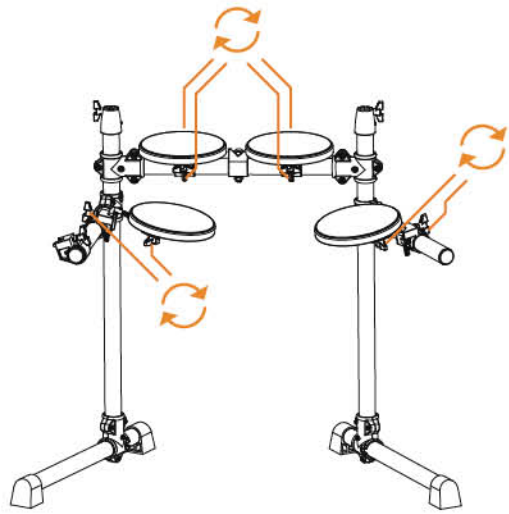
2



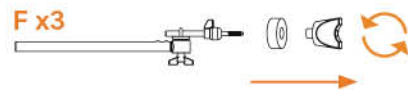
3



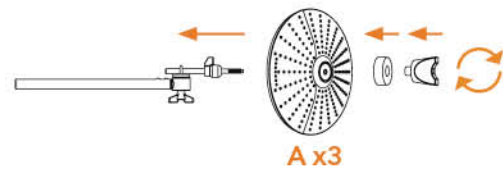
4



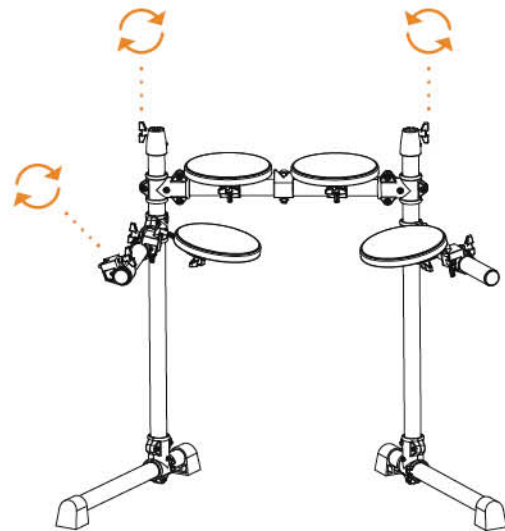
5



6



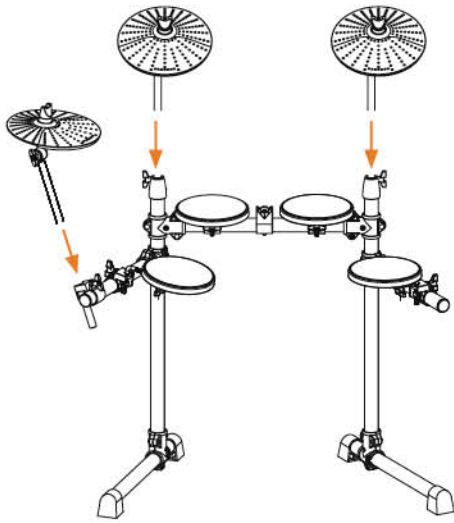
7



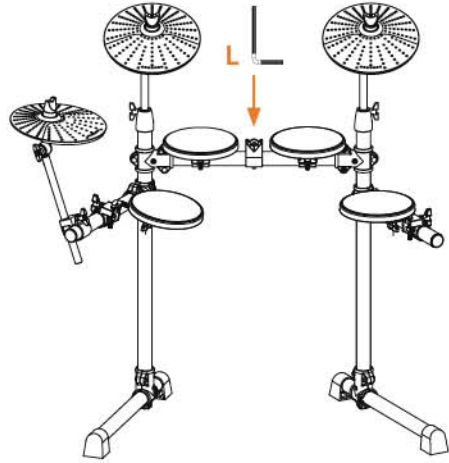
---

# ATTACH THE PARTS

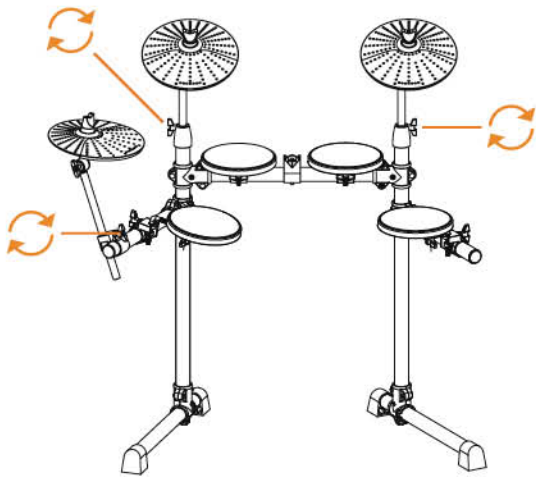
8



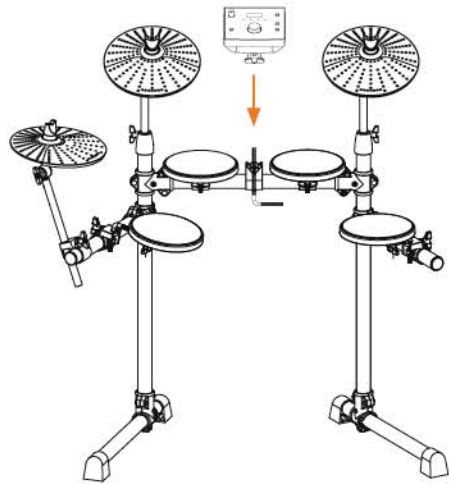
11



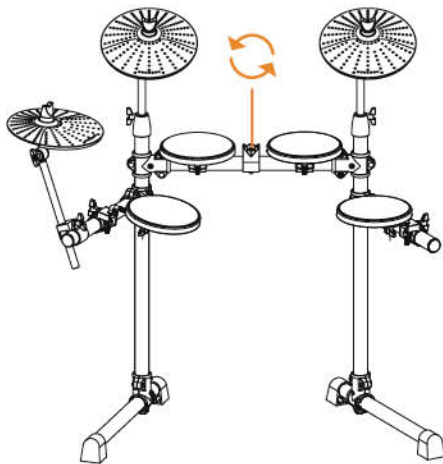
9



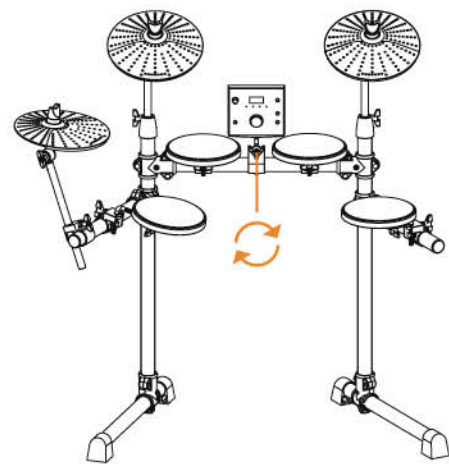
12



10

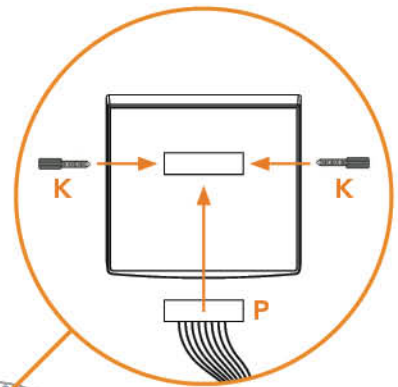
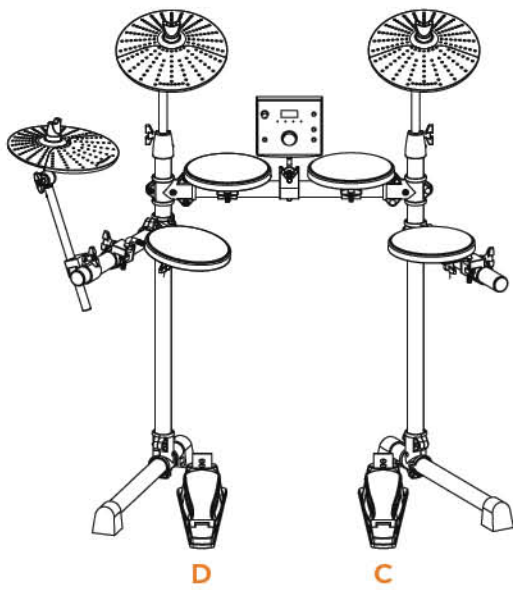


13

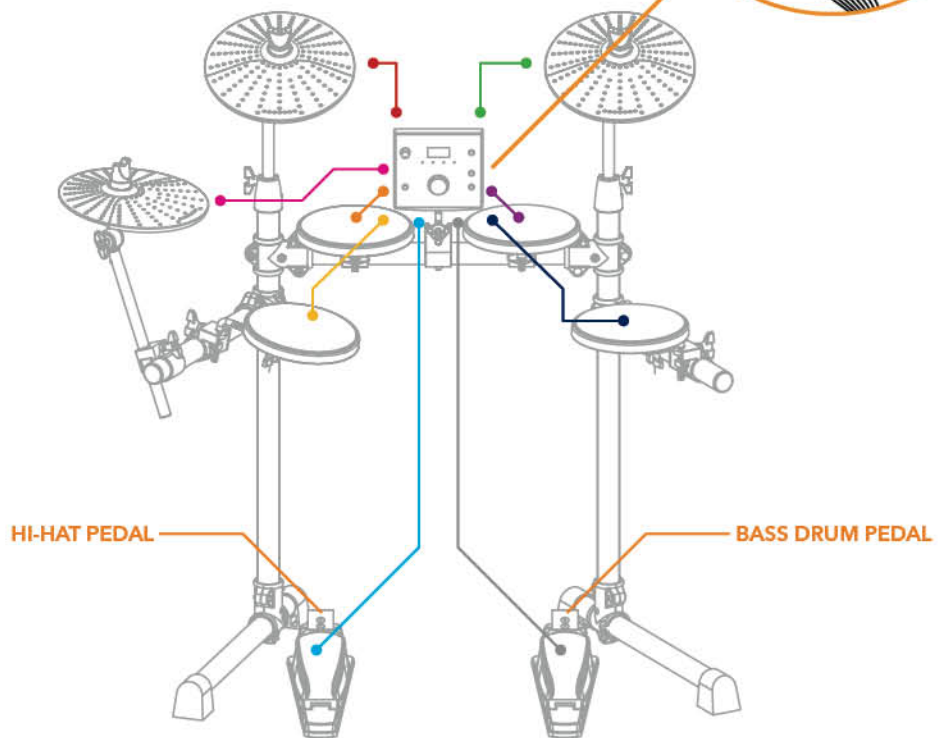


# ATTACH THE PARTS

14



- CRASH 1
- CRASH 2
- HI-HAT
- TOM 1
- SNARE
- HI-HAT PEDAL
- BASS PEDAL
- TOM 3
- TOM 2



If you have any more questions about this product, please do not hesitate to contact the Gear4music Customer Service Team on: **+44 (0) 330 365 4444** or **[info@gear4music.com](mailto:info@gear4music.com)**