



DIGITAL DRUM KIT

SETUP GUIDE

DD420⁺





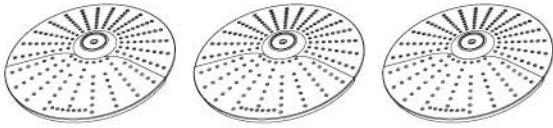
**DD420+
DIGITAL
DRUM KIT
SETUP GUIDE**



CONTENTS CHECKLIST

CYMBAL PAD BOX

A x3



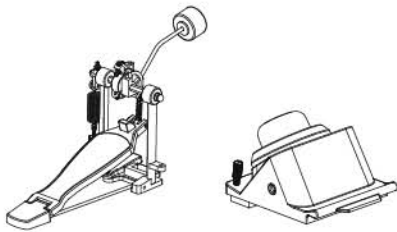
DRUM PAD BOX

B x4



BASS DRUM BOX

C x1



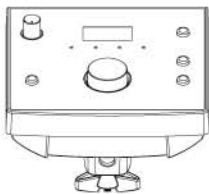
HI-HAT PEDAL BOX

D x1



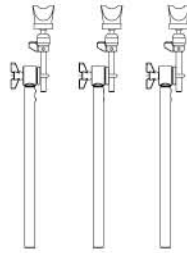
DRUM MODULE BOX

E x1

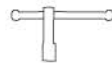


ACCESSORIES BOX

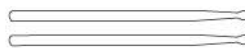
F x3



G x1



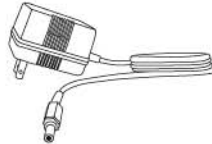
H x1



J x2



K x3



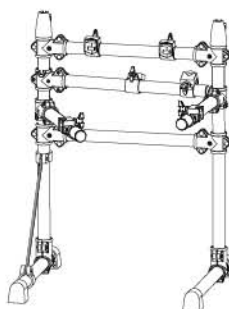
L x4 (110mm)



M x1

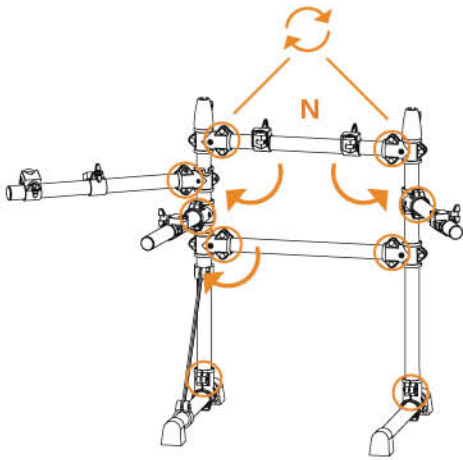


N x1

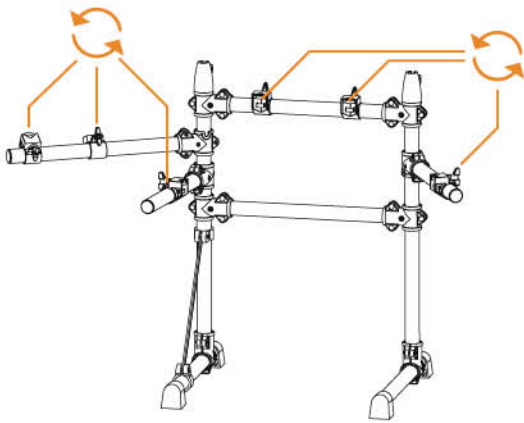


ATTACH THE PARTS

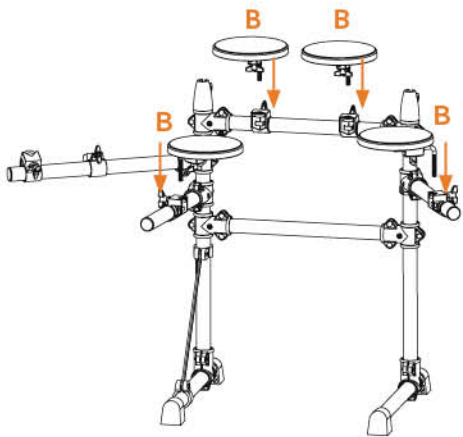
1



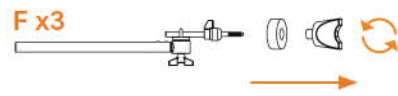
2



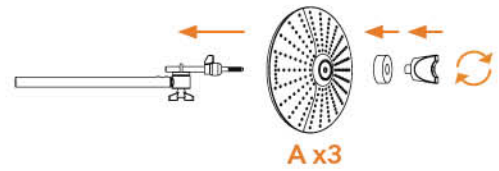
3



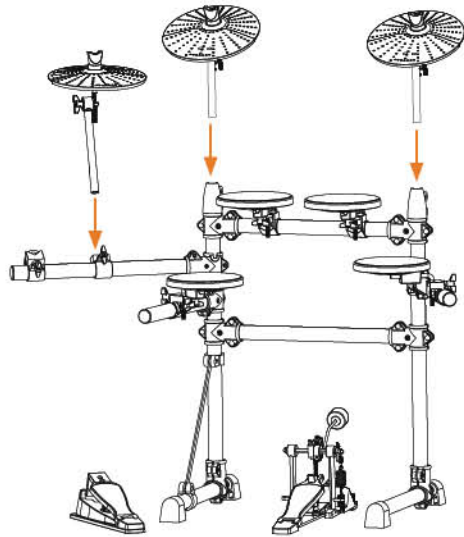
4



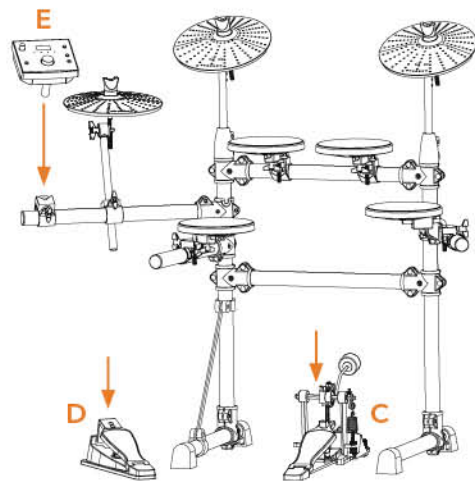
5



6

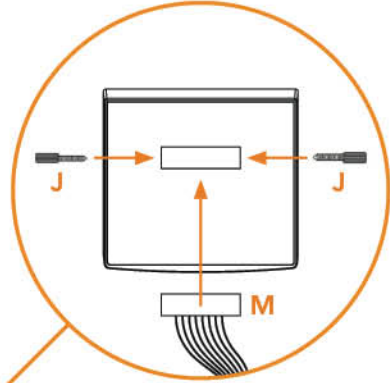
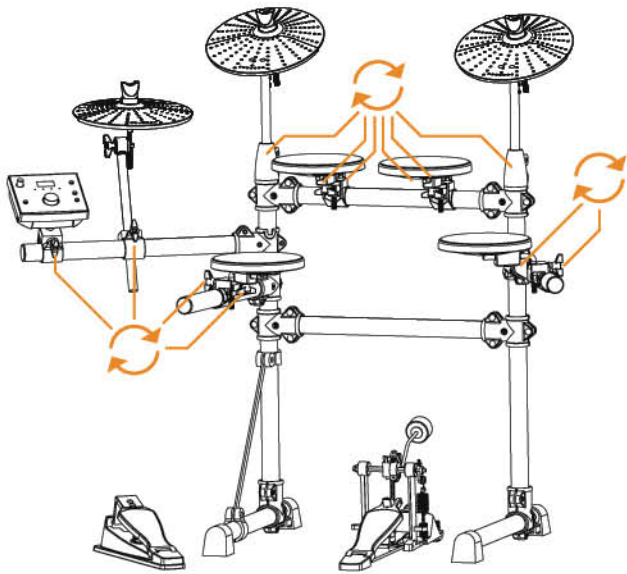


7

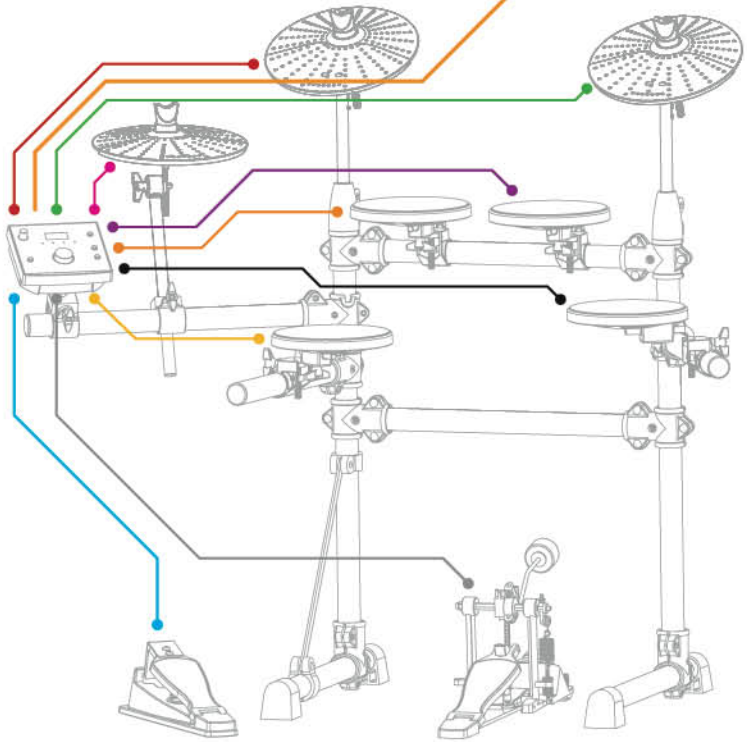


ATTACH THE PARTS

8



- CRASH 1
- CRASH 2
- HI-HAT
- TOM 1
- SNARE
- HI-HAT PEDAL
- BASS PEDAL
- TOM 3
- TOM 2



If you have any more questions about this product, please do not hesitate to contact the Gear4music Customer Service Team on: **+44 (0) 330 365 4444** or **info@gear4music.com**