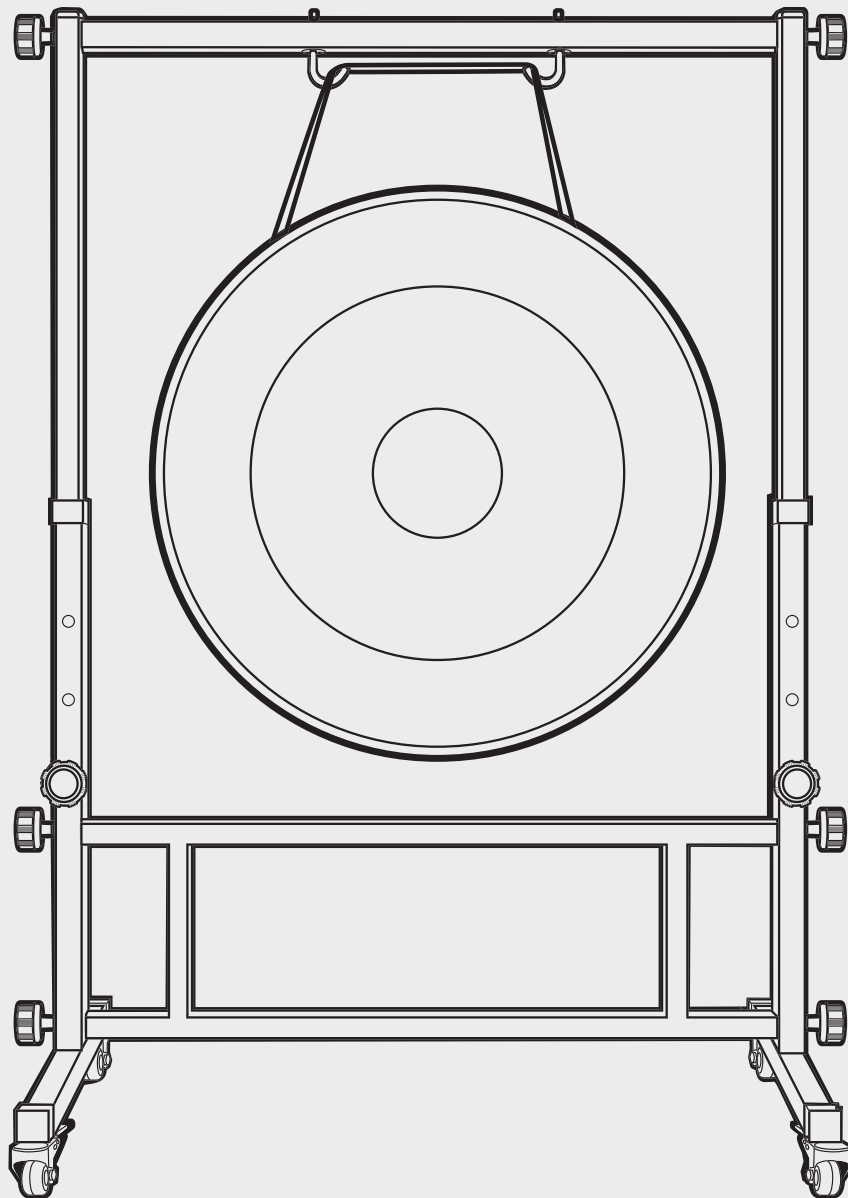


# WHD

## 42" GONG STAND SETUP GUIDE



---

# CONTENTS CHECKLIST

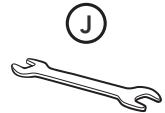
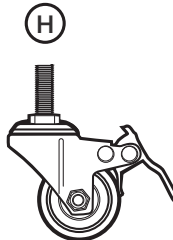
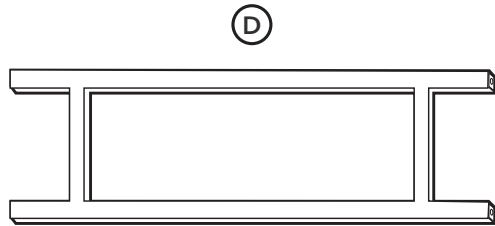
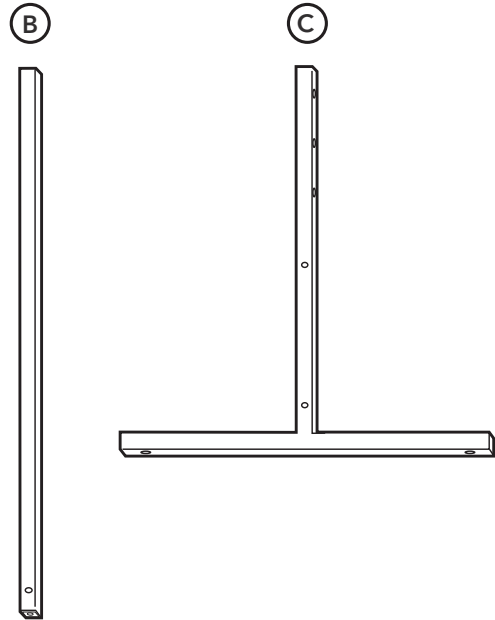
First, check the contents of the package and make sure you have everything you need.

## PARTS

- A Top hanging bar (x1)
- B Top side bar (x2)
- C Bottom side T-bar (x2)
- D Base dual horizontal stabilization bar (x1)

## ASSEMBLY CONNECTORS AND WHEELS:

- E Long Manual Screw (x6)
- F Show Height Adjustment Screw (x2)
- G 5/8" Nut (x8)
- H Locking casters (x4)
- I Rubber End Caps (x4),  
attached to bottom side T-Bar (C)
- J 5/8" Wrench



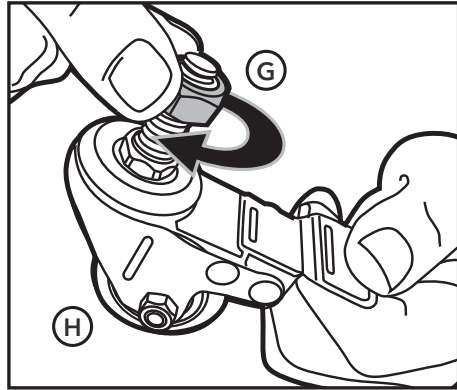
---

# ASSEMBLY

## BASE ASSEMBLY

### STEP 1

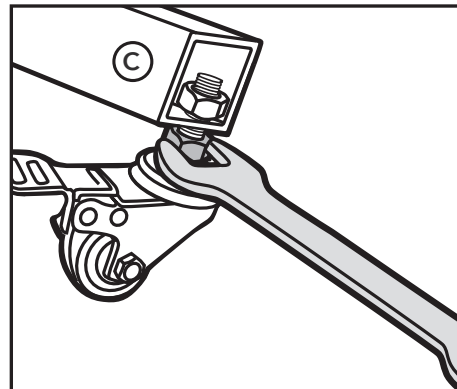
Place nut (G) over screw on caster (H).



STEP 1

### STEP 2

From bottom side of T-Bar (C), remove rubber end cap (I). Place nut over hole inside bottom T-bar while inserting the caster screw through bottom T-bar hole on the other side, making sure it fits tightly against base of T-bar.



STEP 2

### STEP 3

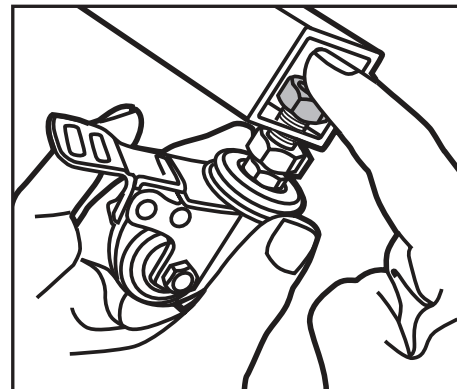
Take adjustable wrench and tighten nut between caster and T-bar (on the outside) towards T-bar until snug.

### STEP 4

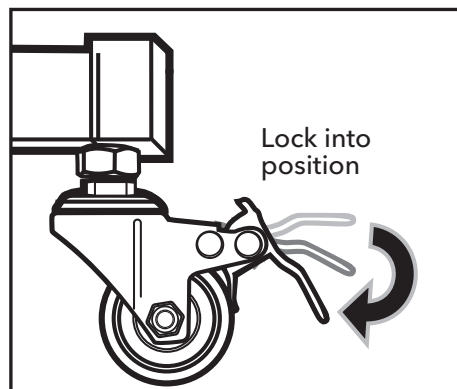
Repeat steps 1 - 3 to other side of T-bar and remaining T-bar.

### STEP 5

Lock all assembled casters and replace rubber end caps.



STEP 3



STEP 5

---

## STEP 6

Align base dual horizontal stabilization bar (D) with holes on bottom side T-bar (C). Use long manual screw (E) to attach stabilization bar to side T-bar. Do not fully tighten knobs. Remember to make the connections snug only, final tightening will come when fully assembled.

## TOP ASSEMBLY

### STEP 7

Place top hanging bar (A) on floor or flat surface. Top side bars (B) have an open hole at the top, running from one side to the other, and a threaded hole at the bottom, running from front to back. Place top side bars at either end of the top hanging bar so that the open holes align with holes on end of top hanging bar. The threaded holes at the bottom of the side bar will face you. Use long manual screw (E) to attach bars.

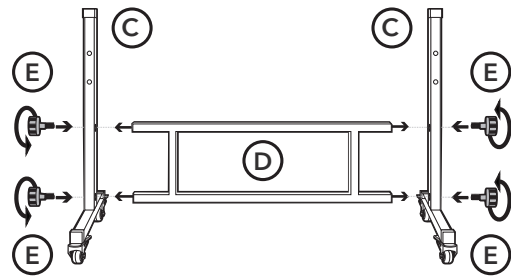
## TOP ASSEMBLY TO BASE ASSEMBLY

### STEP 8

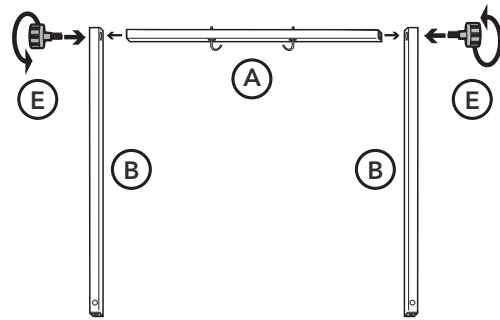
Place assembled top side bars into assembled bottom T-bars (making sure hole on bottom of the top side bars are facing the same side as the 3 height adjustable holes in the base of the T-bar). Choose one of the height-adjustment openings on both side bars into which to place the show height adjustment screw (F).

## FINAL STEPS

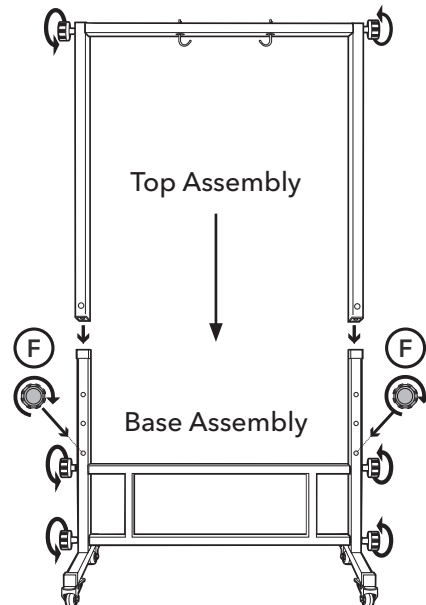
Tighten all screw knobs. Hang the gong of your choice on the stand.



STEP 7



STEP 8



If you have any more questions about this product, please do not hesitate to contact the Gear4music Customer Service Team on: **+44 (0) 330 365 4444** or **[info@gear4music.com](mailto:info@gear4music.com)**