



DRUM RACK

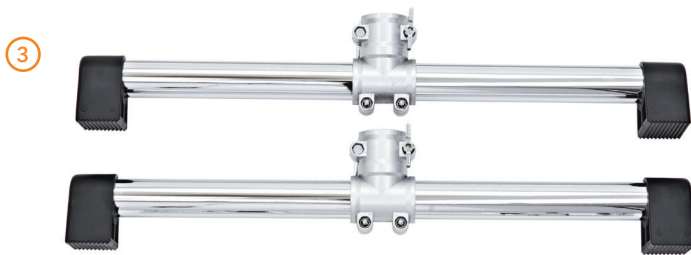
SETUP GUIDE





CHECKLIST

1. T-Clamp
2. Vertical Tubes
3. Legs
4. Rack Clamps
5. Curved Bar
6. Cymbal arms
7. 600mm Connecting Tube
8. 600mm Connecting Tube



1



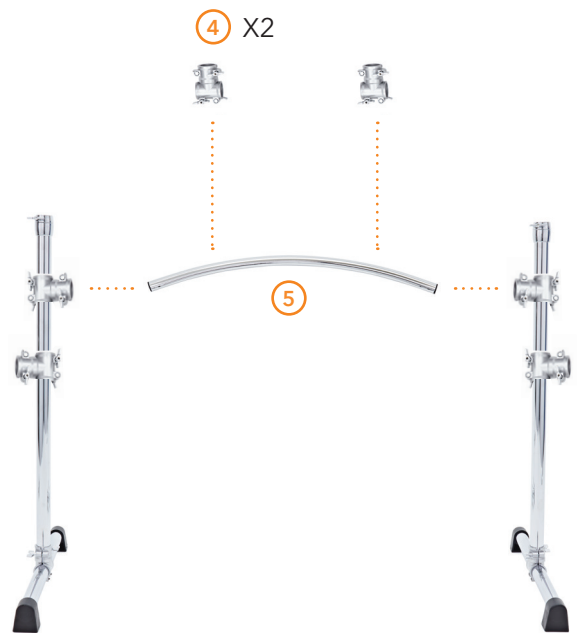
2



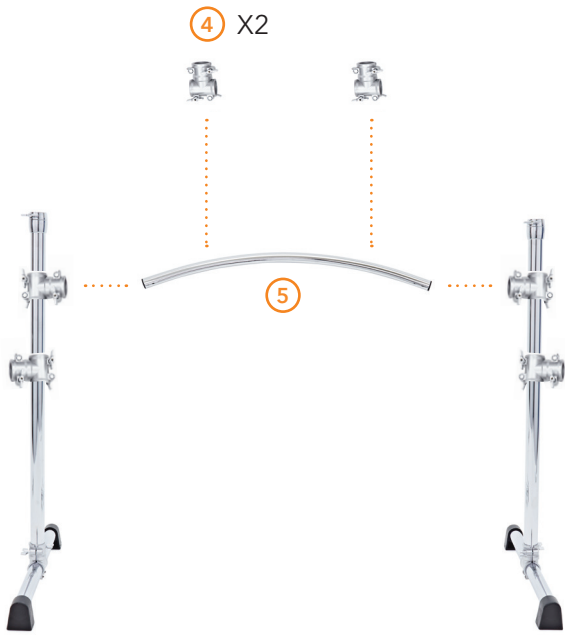
3



4



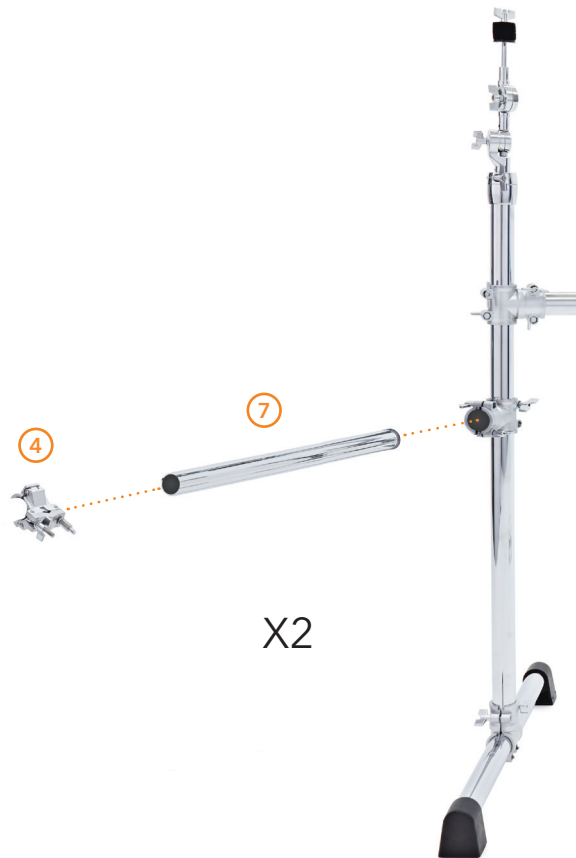
5



6



7



8





If you have any more questions about this product, please do not hesitate to contact the Gear4music Customer Service Team on: **+44 (0) 330 365 4444** or **info@gear4music.com**