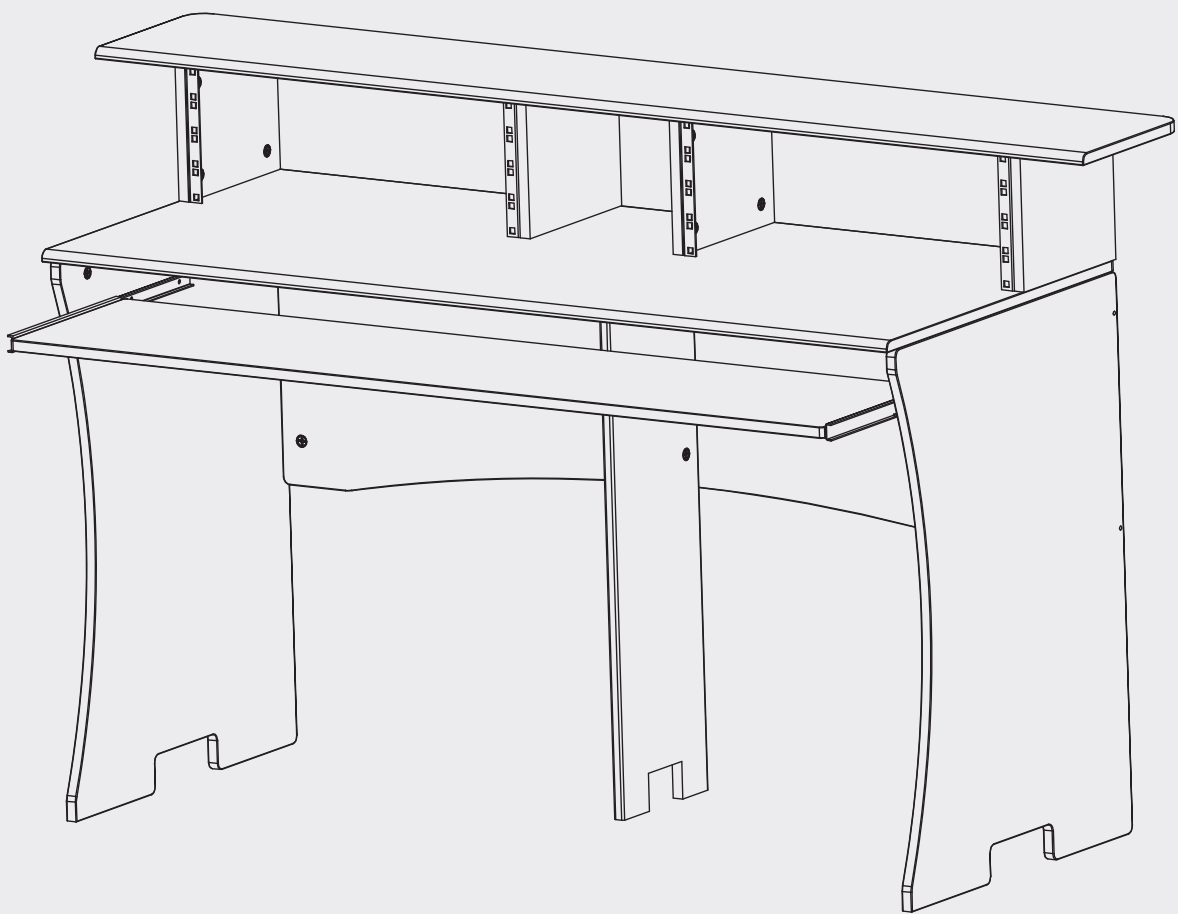




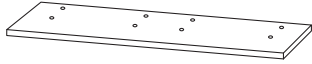
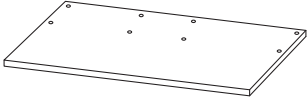
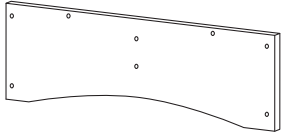


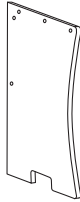
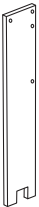
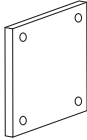







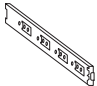
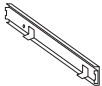



STUDIO DESK

SETUP GUIDE



CONTENTS CHECKLIST

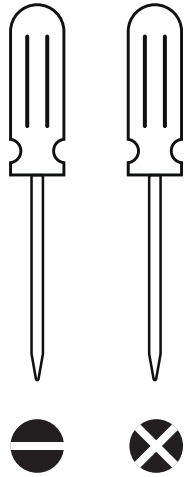
First, check the contents of the package and make sure you have everything you need.

 <p>1</p> <p>X1</p>		 <p>2</p> <p>X1</p>		 <p>3</p> <p>X1</p>	
 <p>4</p> <p>X1</p>		 <p>5</p> <p>X1</p>		 <p>6</p> <p>X1</p>	
 <p>7</p> <p>X1</p>		 <p>8</p> <p>X4</p>		 <p>9</p> <p>X1</p>	
 <p>A 5x55mm</p> <p>X4</p>	 <p>B 4x55mm</p> <p>X3</p>	 <p>C 4x14mm</p> <p>X24</p>	 <p>D</p> <p>X32</p>	 <p>E</p> <p>X32</p>	 <p>F</p> <p>X4</p>
 <p>G</p> <p>X1</p>	 <p>H</p> <p>X1</p>	 <p>I</p> <p>X4</p>	 <p>J</p> <p>X2</p>	 <p>K</p> <p>X1</p>	

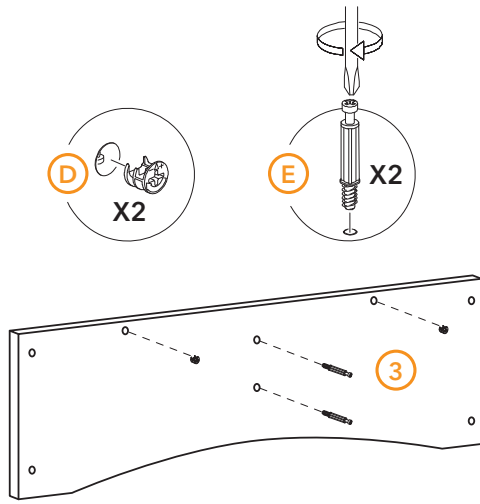
TOOLS REQUIRED

To complete this build you will need the following:

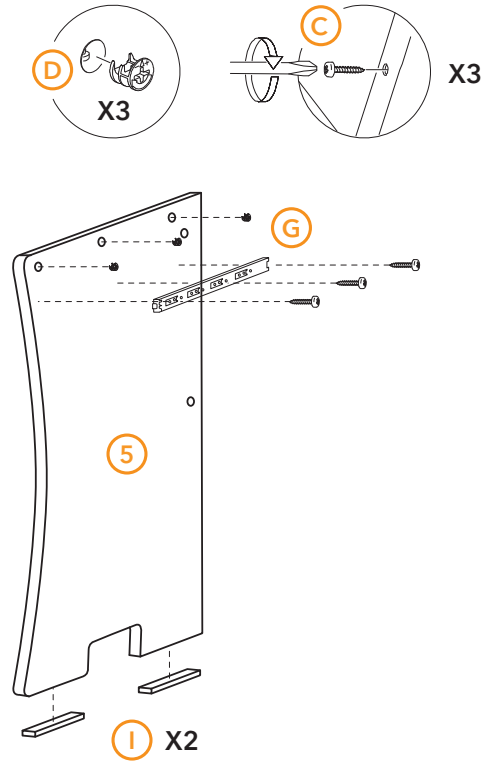
- Flat head screwdriver
- Cross head screwdriver



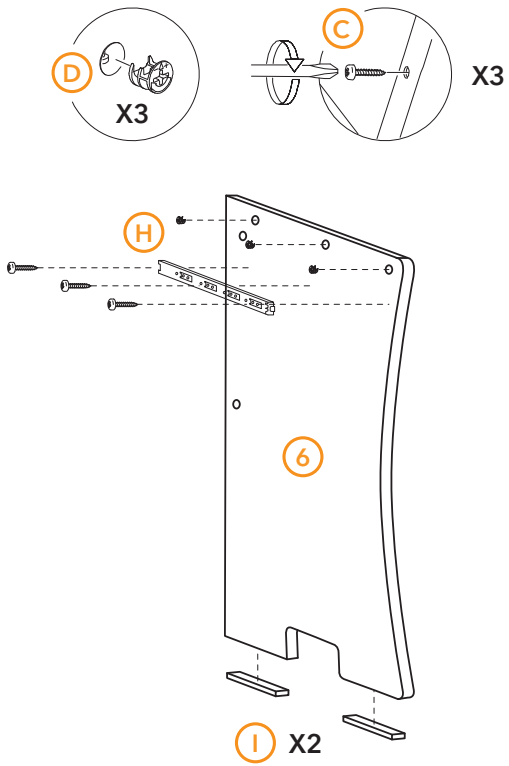
1



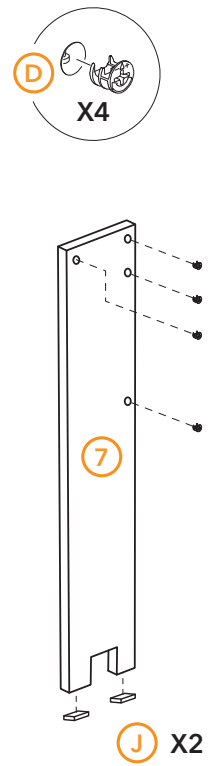
2



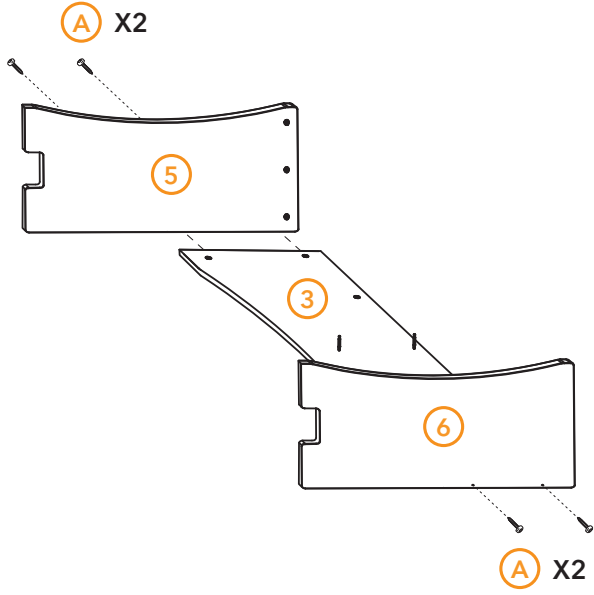
3



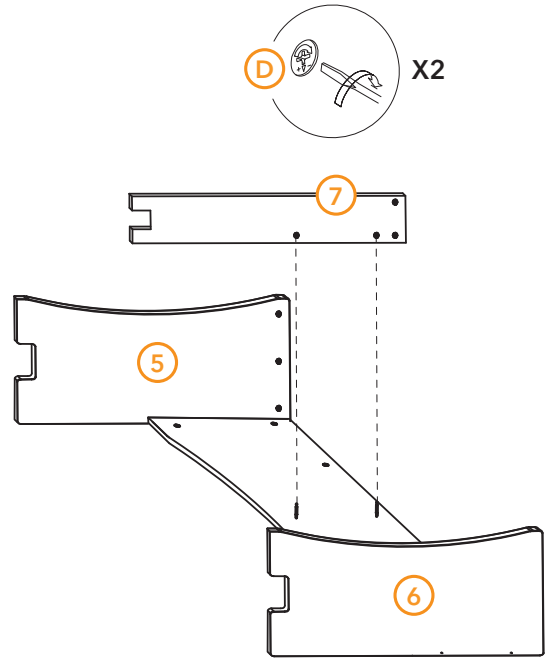
4



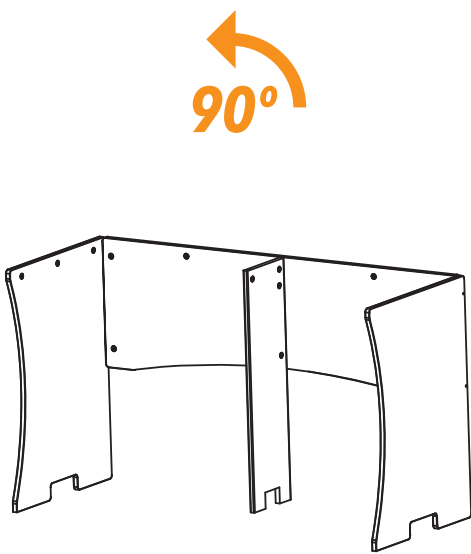
5



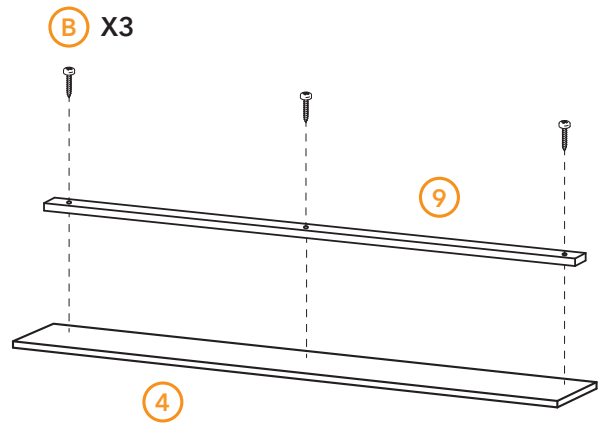
6



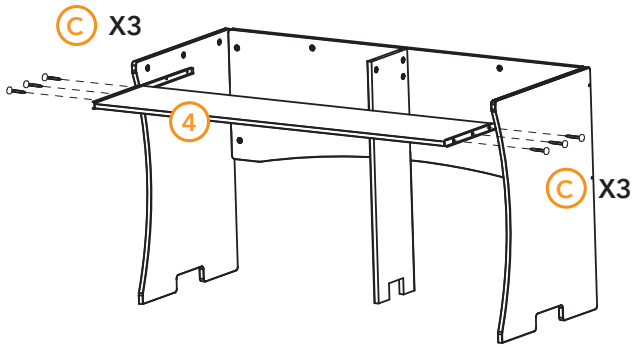
7



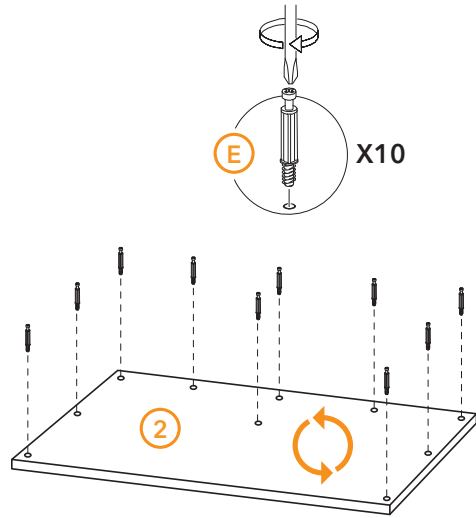
8



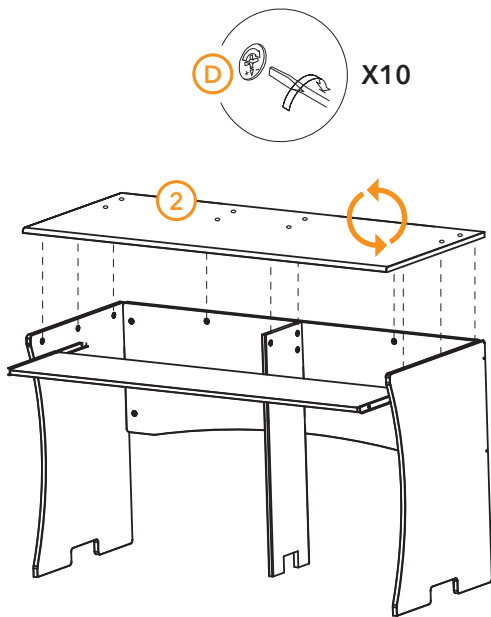
9



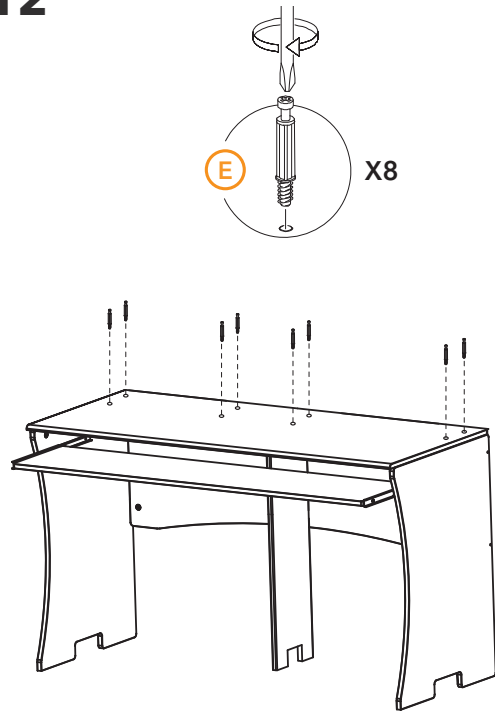
10



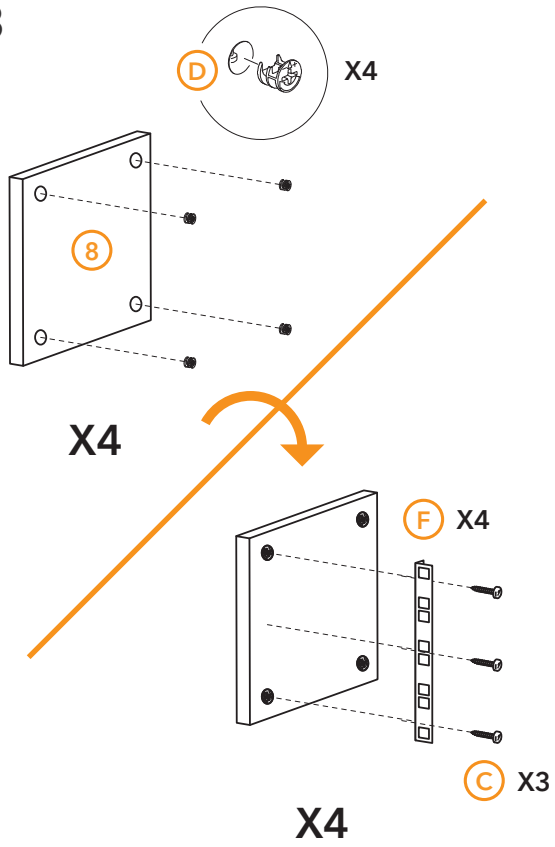
11



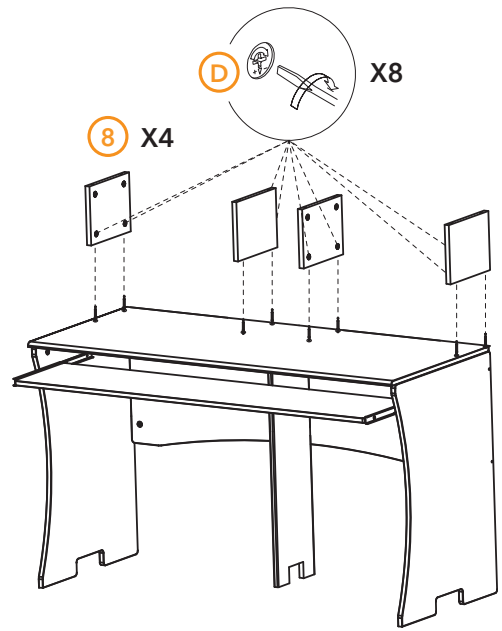
12



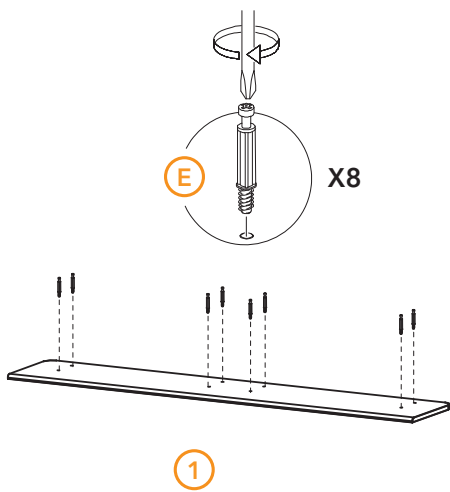
13



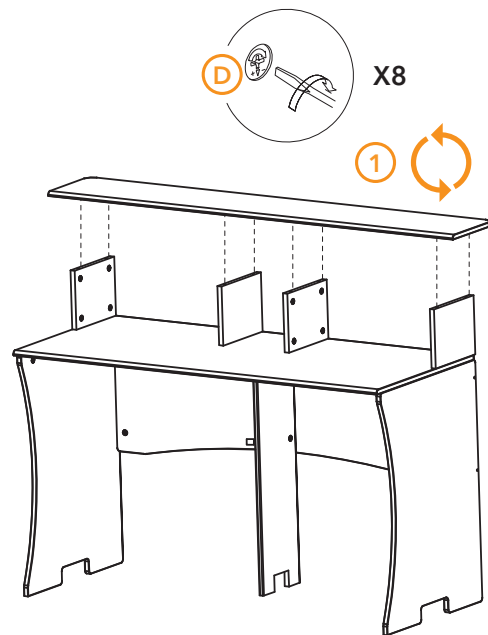
14



15



16



If you have any more questions about this product, please do not hesitate to contact the Gear4music Customer Service Team on: **+44 (0) 330 365 4444** or **info@gear4music.com**