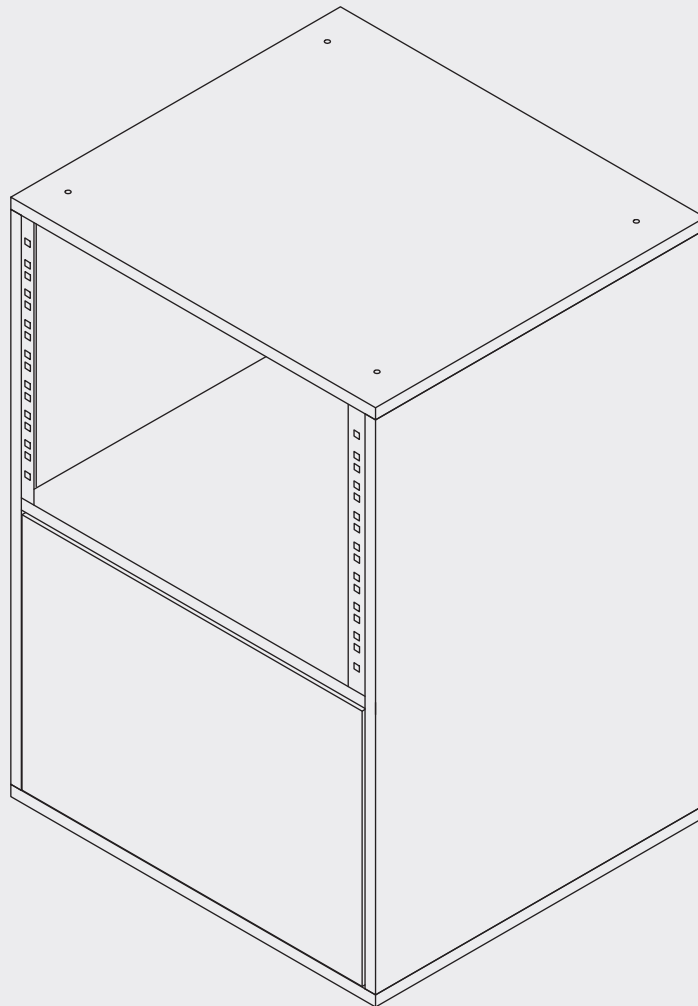




STUDIO RACK CABINET

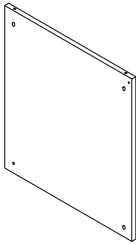
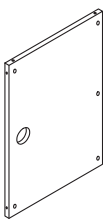
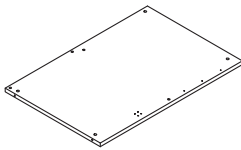
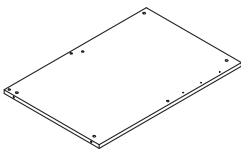
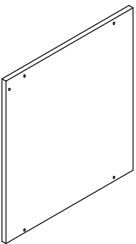
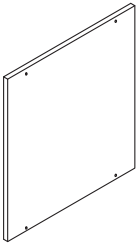
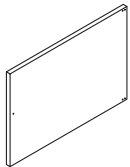





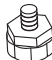
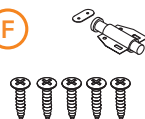
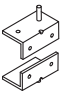


SETUP GUIDE



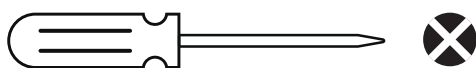
CONTENTS CHECKLIST

First, check the contents of the package and make sure you have everything you need.

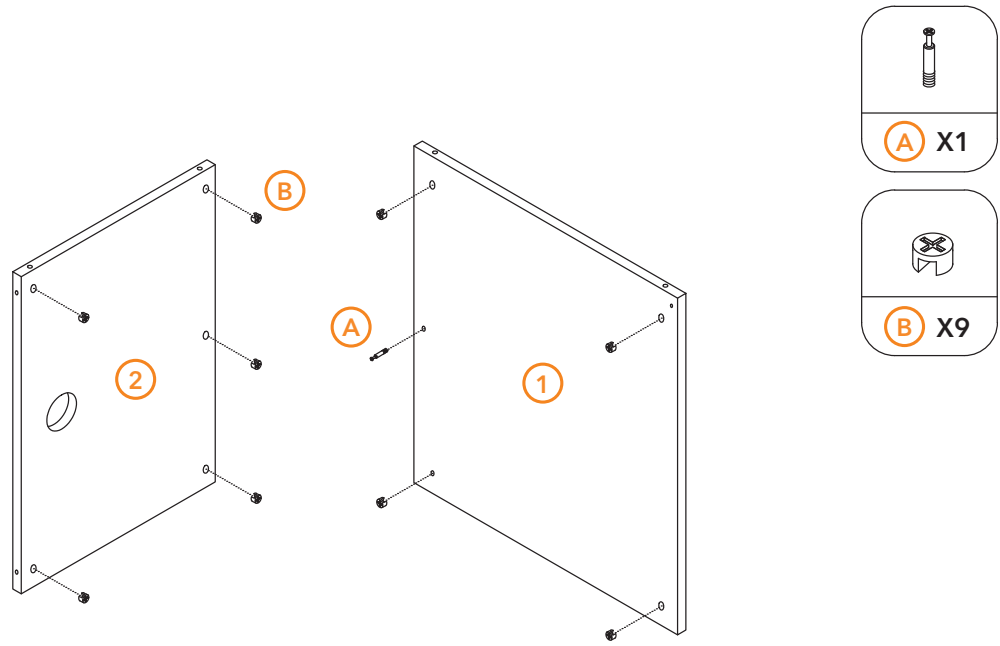
NOTE: Extra parts have been included for your convenience.

 <p>1 X1</p>	 <p>2 X1</p>	 <p>3 X1</p>	 <p>4 X1</p>		
 <p>5 X1</p>	 <p>6 X1</p>	 <p>7 X1</p>	 <p>8 X1</p>		
 <p>A X17</p>	 <p>B X17</p>	 <p>C X4</p>	 <p>D X6</p>	 <p>E X4</p>	 <p>F X1</p>
 <p>G X1</p>	 <p>H X1</p>	 <p>I X17</p>			

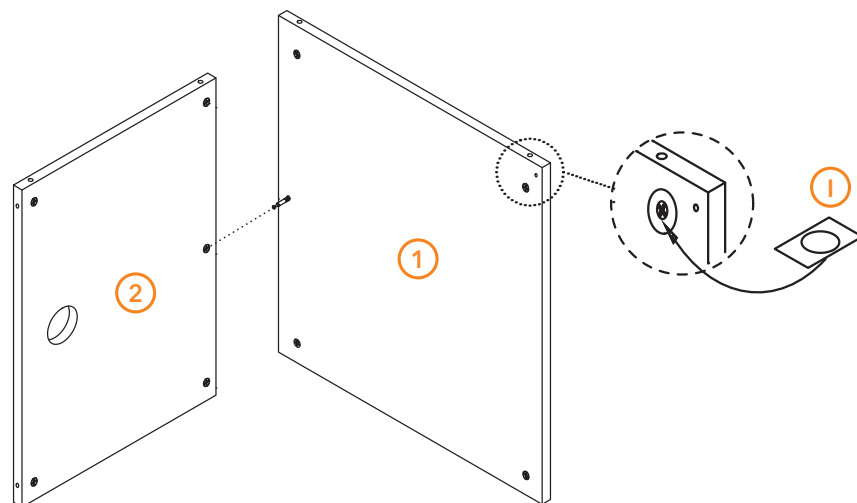
TOOLS REQUIRED



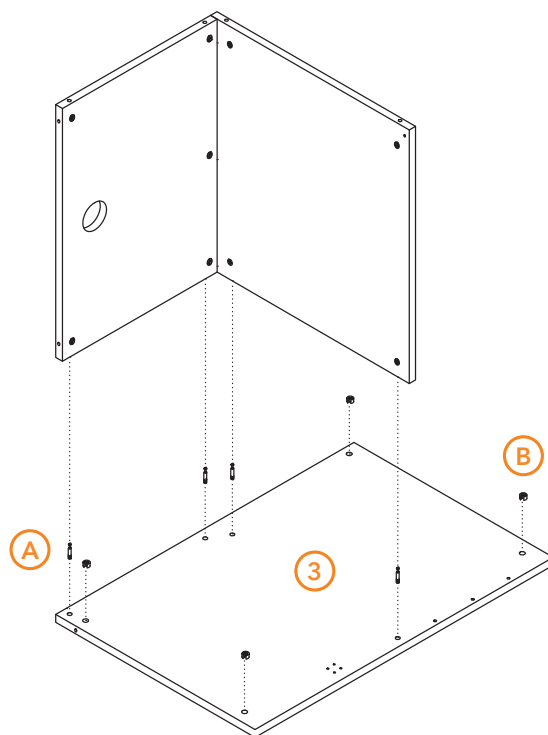
1



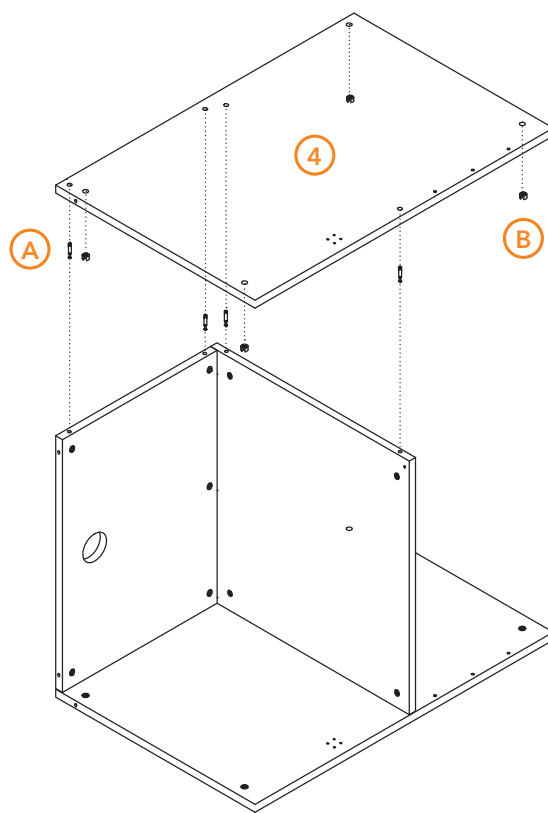
2



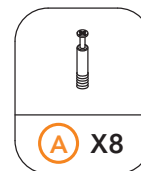
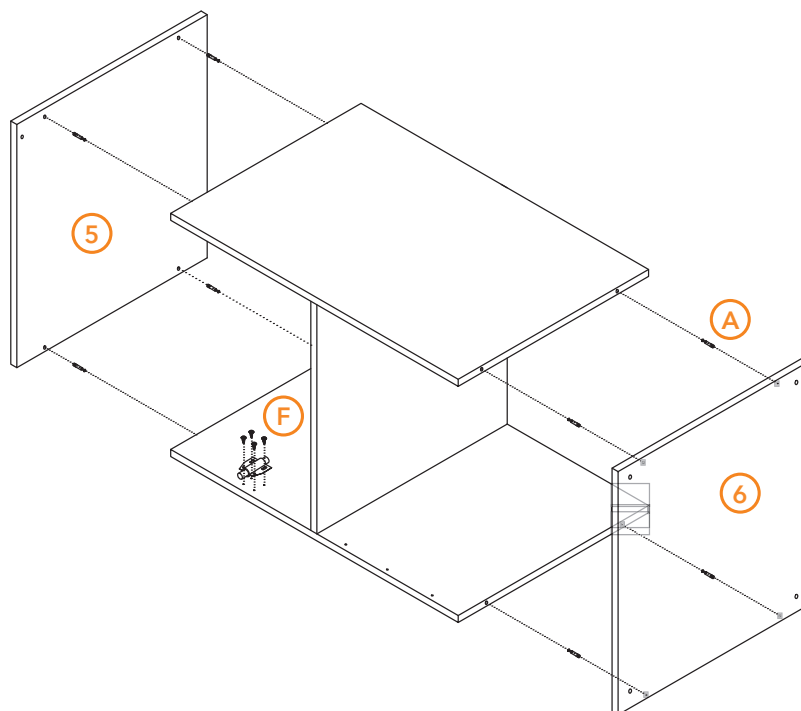
3



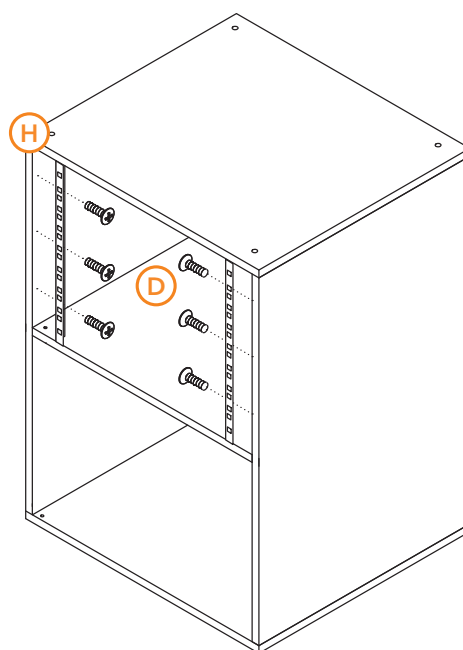
4



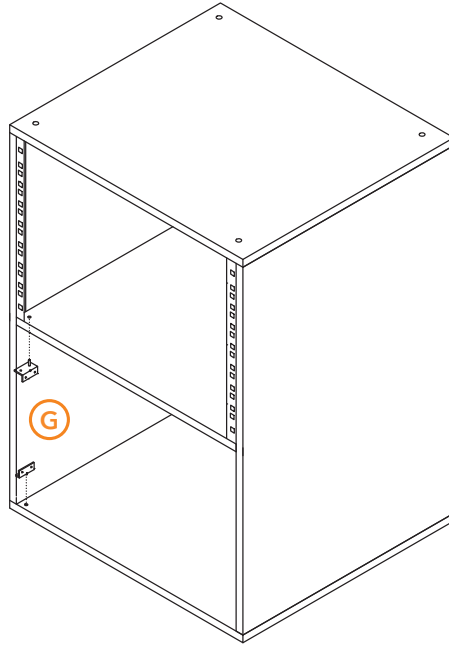
5



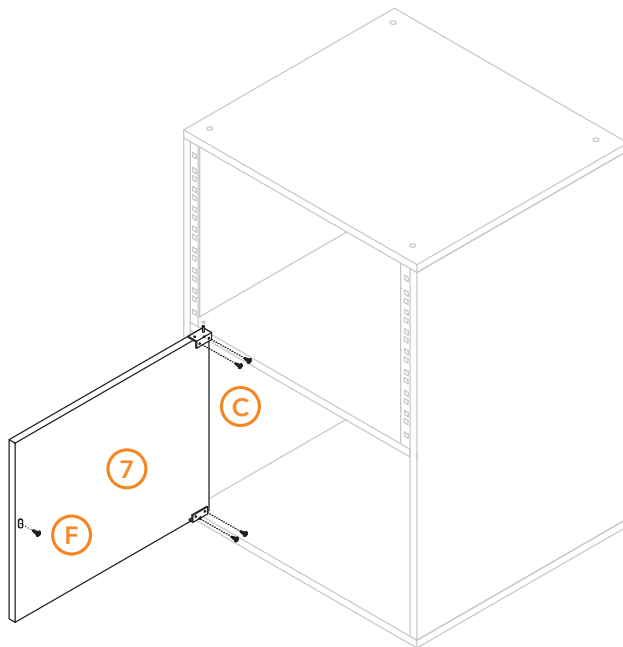
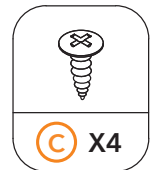
6



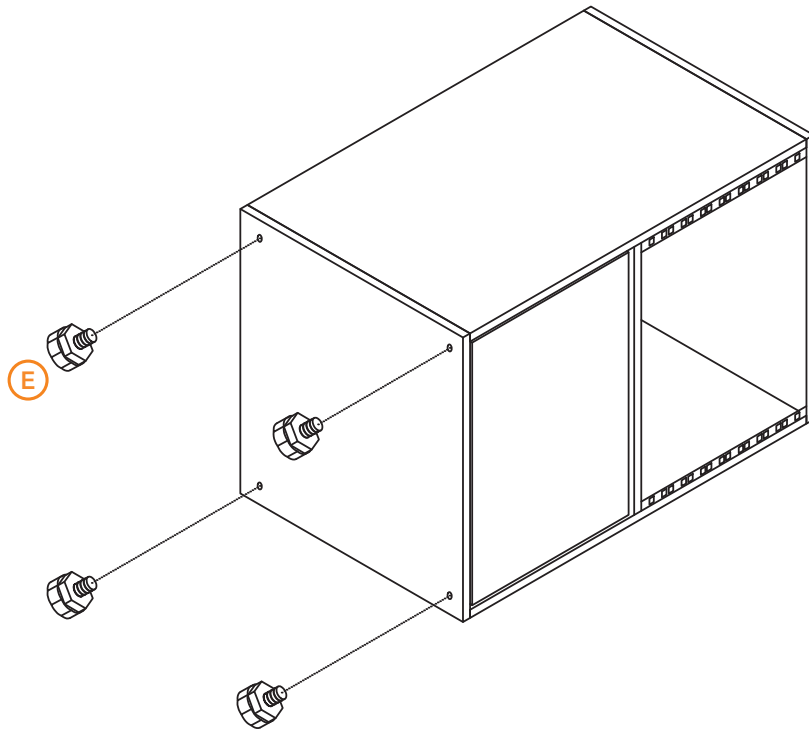
7



8



9



If you have any more questions about this product, please do not hesitate to contact the Gear4music Customer Service Team on: **+44 (0) 330 365 4444** or **info@gear4music.com**