



# DIGITAL DRUM KIT

## SETUP GUIDE

DD400X

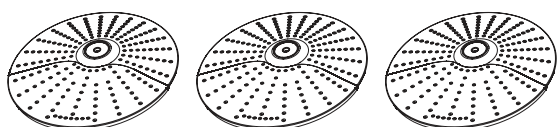


# CONTENTS CHECKLIST

Your kit will arrive in one box and should take around 30 minutes to fully assemble. Please check that all the items below are present before assembly and follow the instructions carefully.

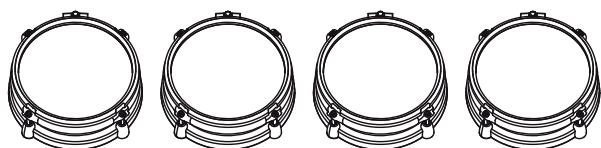
## CYMBAL PAD BOX

- X1 Cymbal Pad for Hi-Hat
- X1 Cymbal Pad for Ride
- X1 Cymbal Pad for Crash



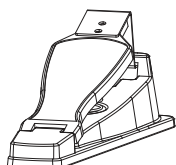
## DRUM PAD BOX

- X3 Tom Pad
- X1 Snare Pad



## BASS DRUM BOX

- X1 Bass Drum Pedal



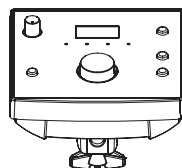
## HI-HAT PEDAL BOX

- X1 Hi-Hat Control Pedal



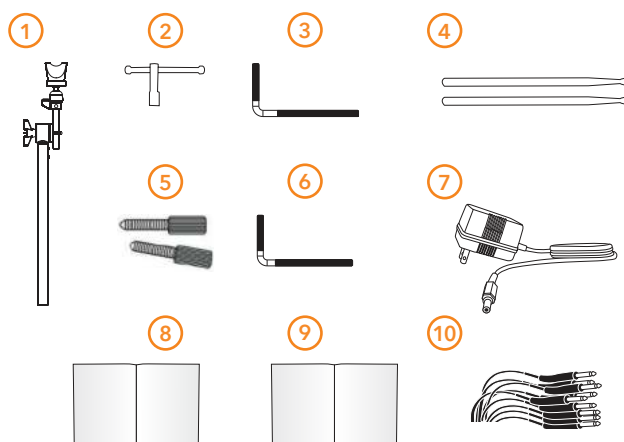
## DRUM MODULE BOX

- X1 Drum Module



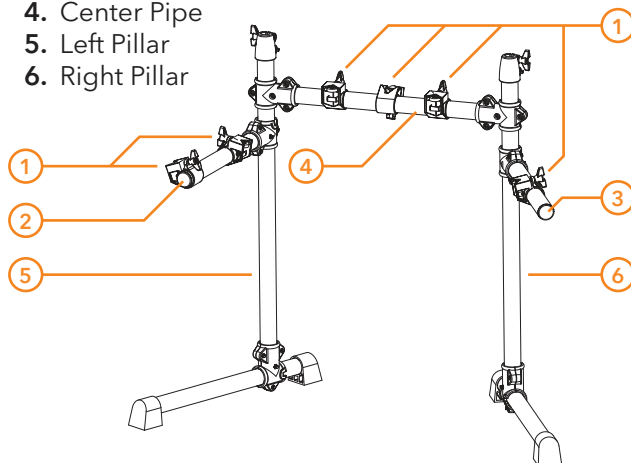
## ACCESSORIES BOX

- |                                      |                          |
|--------------------------------------|--------------------------|
| 1. X3 Cymbal Holders                 | 7. X1 AC Adaptor         |
| 2. X1 Drum Key                       | 8. Owner's Manual        |
| 3. X1 Snare Metal Rod (165mm)        | 9. Setup Guide           |
| 4. X1 Pair Drumsticks                | 10. X9 Connection Cables |
| 5. X2 Handscrew                      |                          |
| 6. X4 Tom & Module Metal Rod (110mm) |                          |



## STAND AND CYMBAL HOLDER BOX

- X6 Holder Clamp
- Left Side Arm
- Right Side Arm
- Center Pipe
- Left Pillar
- Right Pillar

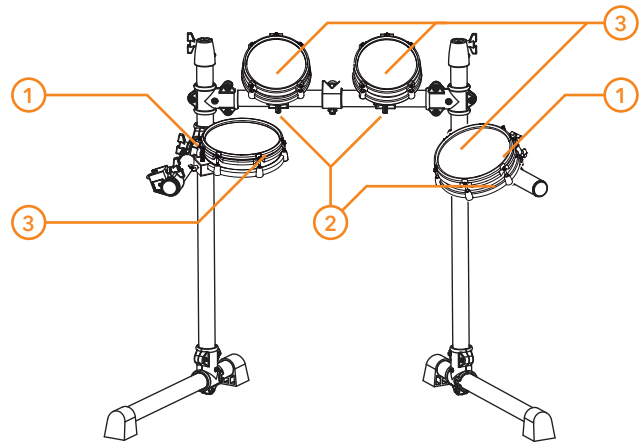


---

## ATTACH THE PARTS

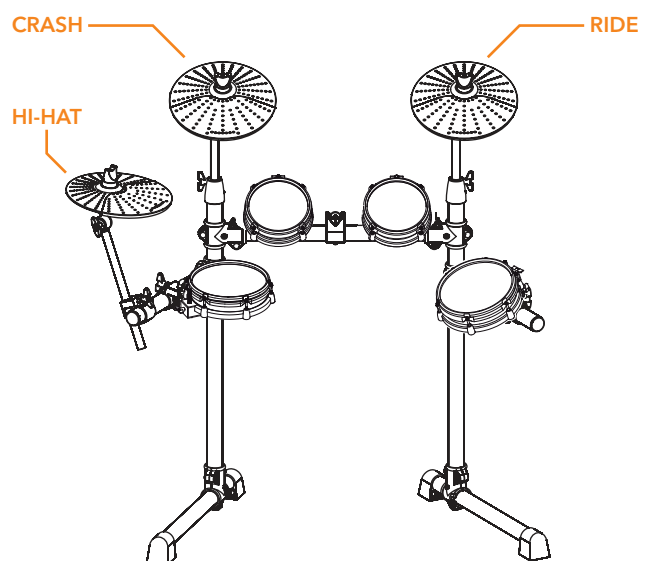
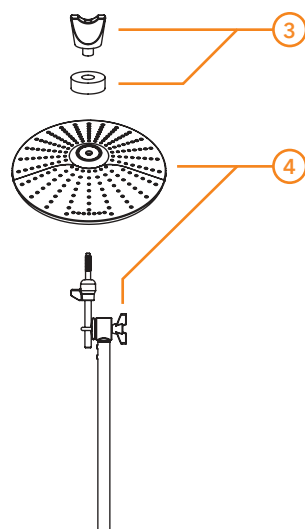
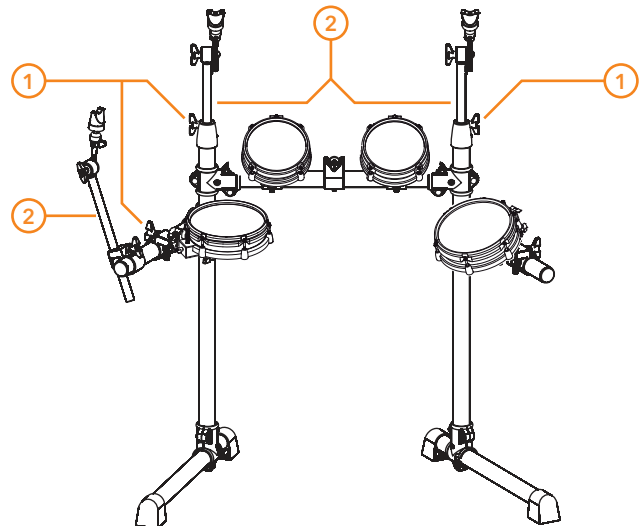
### ATTACH THE PADS

1. Loosen wing nut on the holder clamp, which is on the left and right side arm.
2. Insert the Snare L-metal rod into the holder clamp on the left side arm, then insert the Tom & Module L-metal rod into the holder clamp on the center pipe and right side arm. Tighten wing nuts on the holder clamp.
3. Attach drum pads to the Snare L-Metal rod and the Tom & Module L-Metal rods then tighten wing nuts. Repeat for each pad.



### ATTACH THE CYMBAL PADS

1. Loosen wing nut on the holder clamp on left pillar, right pillar and left side arm.
2. Insert each cymbal holder into left pillar, right pillar, left side arm and tighten wing nut.
3. Remove wing nut and felt washer from cymbal holder.
4. Place cymbal pad on tilter assembly. Re-attach the felt washer and wing nut. Tighten wing nut.

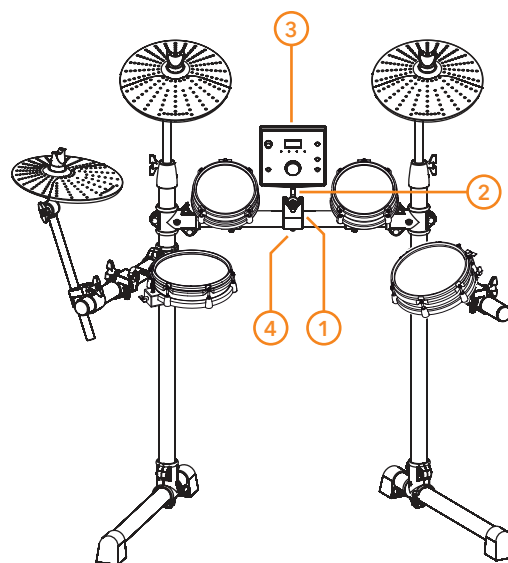


---

# DRUM MODULE

## ATTACH THE DRUM MODULE

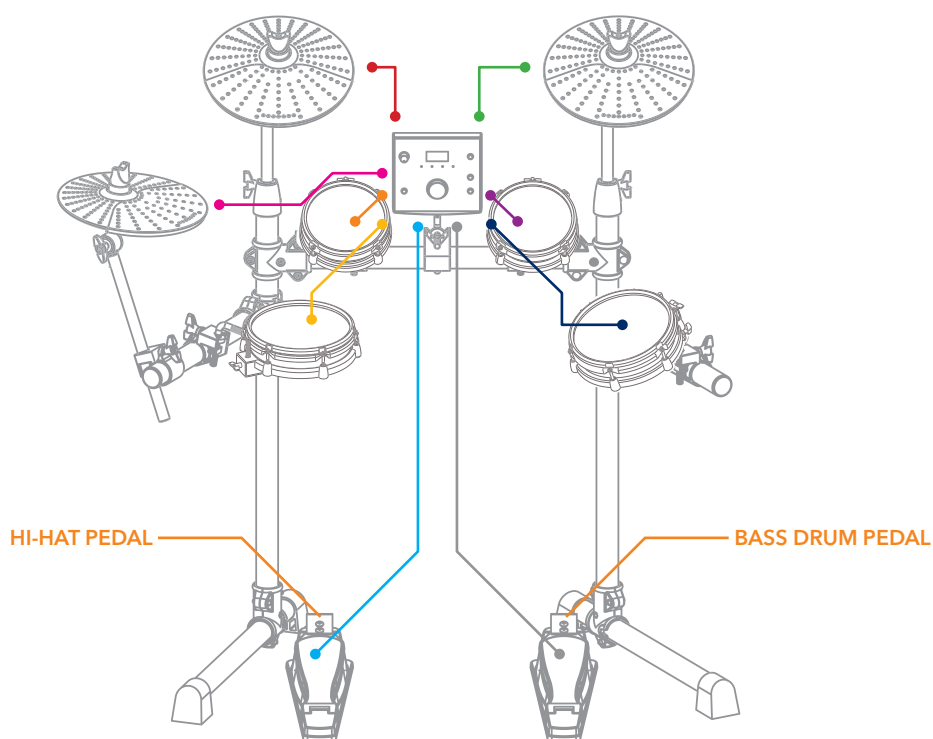
1. Loosen wing nut on the center pipe clamp.
2. Insert the L-metal rod into the clamp.
3. Place the drum module onto the L-metal rod.
4. Tighten the wing nut on the clamp.



## CONNECTION PROCEDURE

1. Place the pedal on the floor on your left side.
2. Place the bass drum pedal on the floor in the center of rack.
3. Please connect the clearly marked cables from the pads to the correct inputs on the drum module.

- CRASH 1
- CRASH 2
- HI-HAT
- TOM 1
- SNARE
- HI-HAT PEDAL
- BASS PEDAL
- TOM 3
- TOM 2





If you have any more questions about this product, please do not hesitate to contact the Gear4music Customer Service Team on: **+44 (0) 330 365 4444** or **[info@gear4music.com](mailto:info@gear4music.com)**