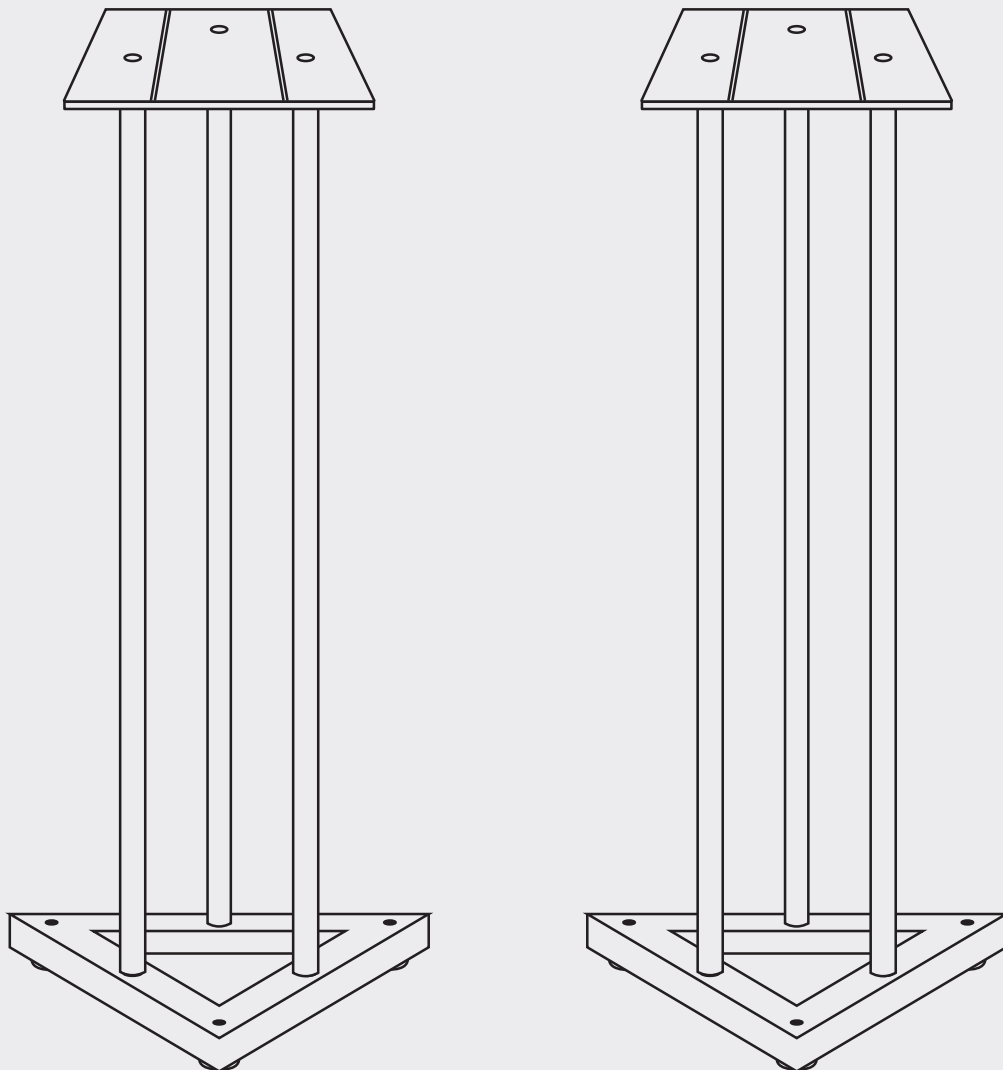




STUDIO MONITOR SPEAKER STANDS SETUP GUIDE

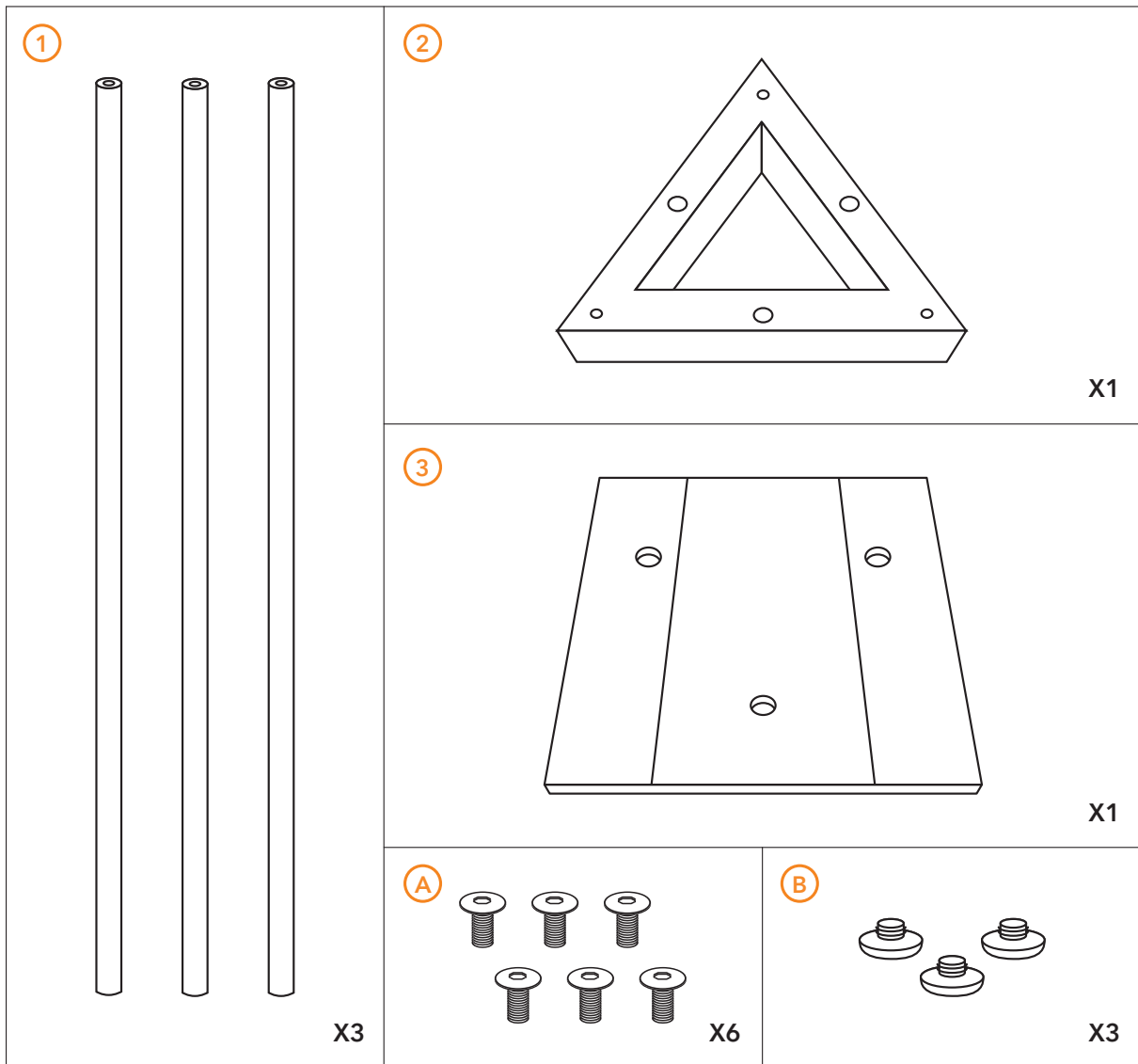


CONTENTS CHECKLIST

Thank you for purchasing the Gear4music MS300 Fixed Height Studio Monitor Speaker Stand.

Please follow this set-up guide in order to safely and securely construct your monitor stand.

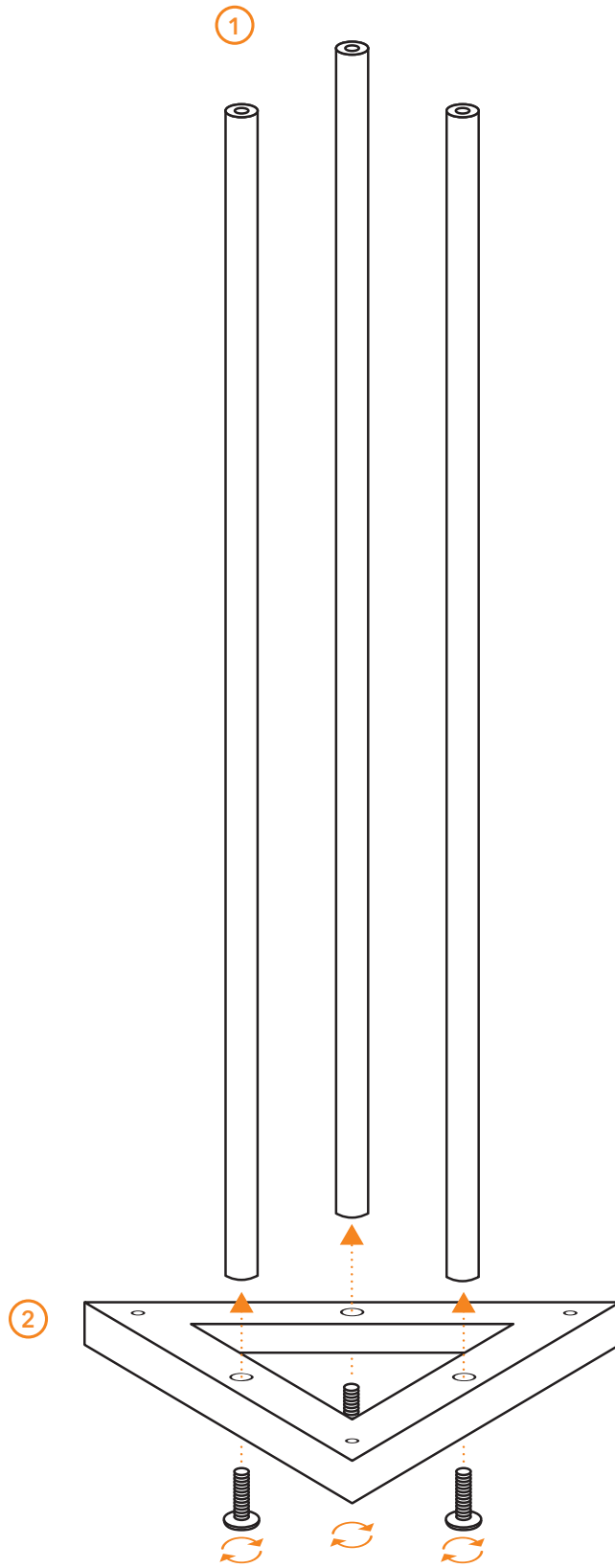
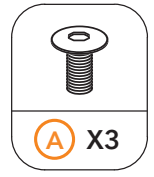
NOTE: Extra parts have been included for your convenience.



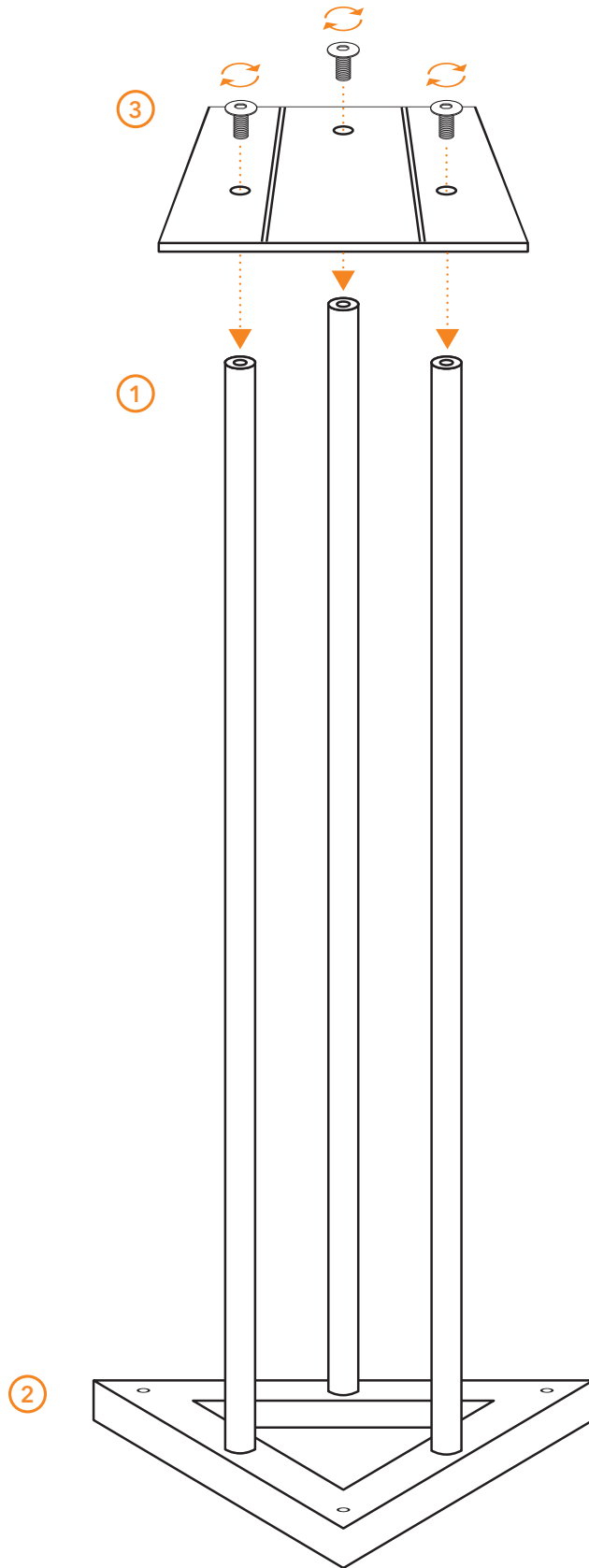
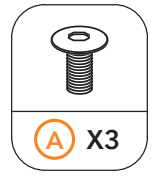
TOOLS REQUIRED



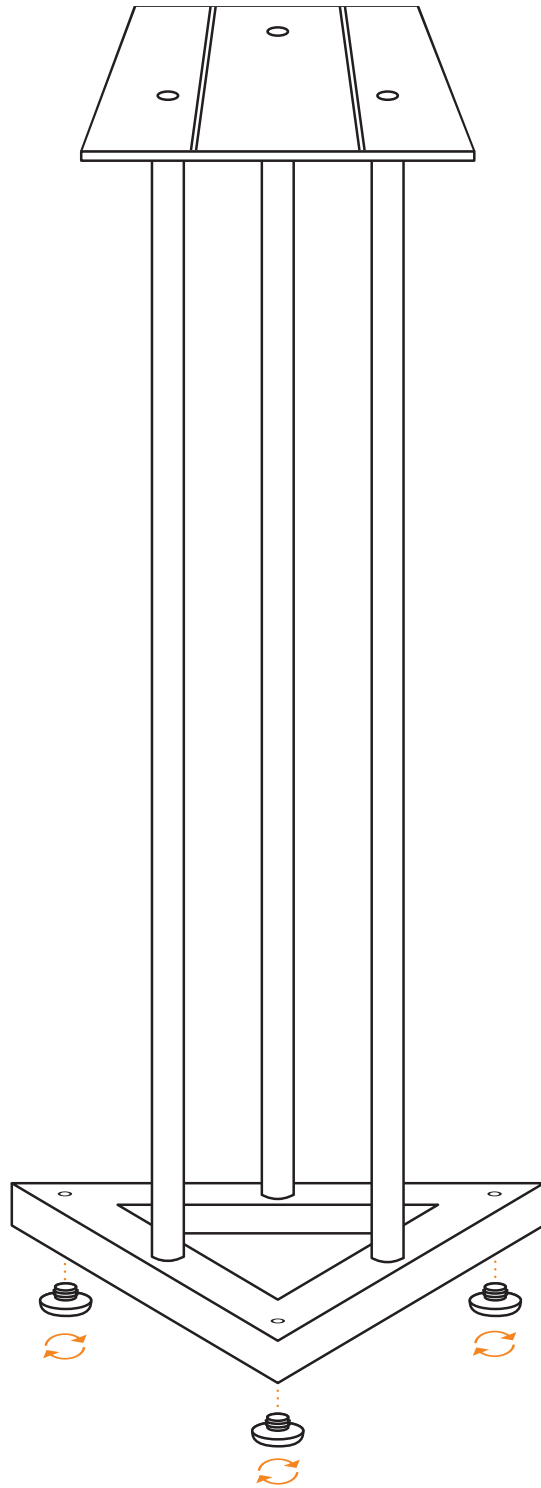
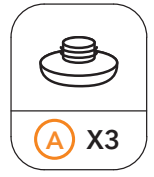
1



2



3



SPECIFICATIONS

Amplifier

Material Metal Alloy

Fixed Height 1040mm

Platform Dimensions . . . 280mm x 280mm

Load Capacity 30kg

Weight 5kg

If you have any more questions about this product, please do not hesitate to contact the Gear4music Customer Service Team on: **+44 (0) 330 365 4444** or **info@gear4music.com**