

TS-15W300/8A

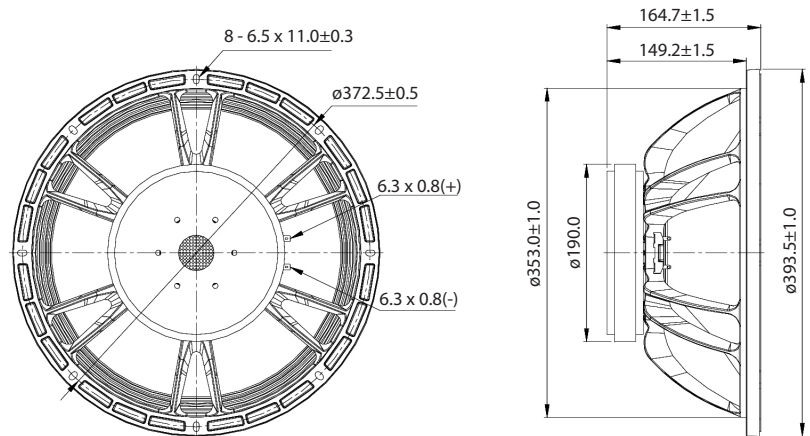
300 Watt 15" Low Frequency Loudspeaker for PA Applications



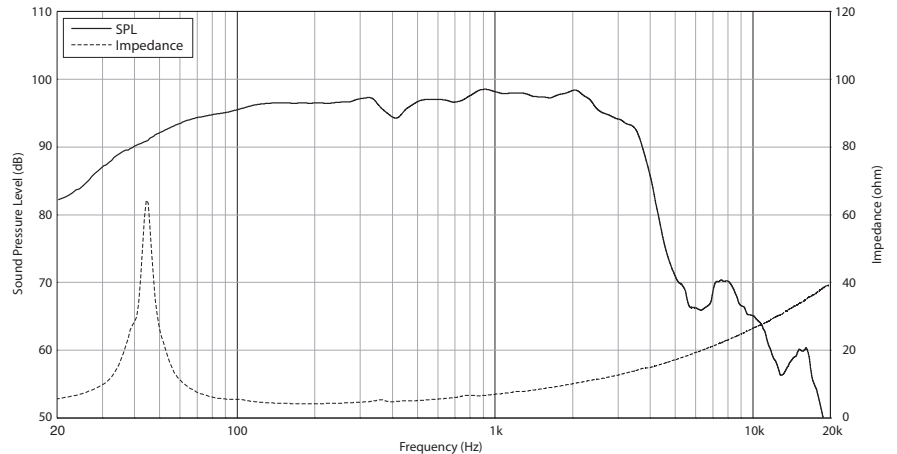
Features

- 15" high-power woofer for PA applications
- Continuous power: 300 Watts RMS
- Maximum power: 1200 Watts
- Impedance: 8 Ohms
- Frequency Range: 46 Hz - 3 kHz
- SPL: 97 dB (1 W / 1 m)
- Rigid aluminum die-cast frame
- Mounting hole diameter: 372.5 mm (14.67")
- Net Weight: 7.1 kg (15.6 lbs) and Shipment Weight: 10 kg (22 lbs)
- Overall Diameter: 393.5 mm (15.49")
- 3-Year Warranty Program*
- Designed and engineered in U.K.

Dimensional Diagrams



Frequency Charts



*Warranty details can be found at musictribe.com.

TS-15W300/8A

300 Watt 15" Low Frequency Loudspeaker
for PA Applications

General Specification

Loudspeaker diameter	394 mm / 15"
Impedance	8 Ω
Continuous power rating ₁	300 W
Peak power rating ₂	1200 W
Sensitivity	97 dB (± 2.5 dB, 1 W / 1 m)
Frequency range	Fo ~3 kHz (-10 dB)
Magnet size	190 mm
Voice coil diameter	75.5 mm / 3"
Bobbin material	Glass fiber SV
Wire type	Copper wire
Winding height	17.8 mm
Layers	2
Cone body	Paper
Cone surround	Cloth
Item part number	H77-00002-31677

Notes to Specification

1 Pink noise with 6 dB crest factor for 2 hours

2 Peak power is defined as continuous power +6 dB

Thiele & Small Parameters

Resonance frequency (Fs)	46 Hz
DC resistance (Re)	6.5 Ω
Mechanical Q factor (Qms)	16.6
Electrical Q factor (Qes)	0.49
Total Q factor (Qts)	0.47
Mechanical moving mass (Mms)	96.4 g
Mechanical compliance (Cms)	0.12 mm/N
Force factor (Bl)	19.3
Equivalent acoustic volume (Vas)	130.2 l
Maximum linear displacement (Xmax)	4.9 mm
Diaphragm area (Sd)	865.7 sq cm
Voice coil inductance @ 1 kHz (Le)	1.2 mH

Shipping Information

Net weight	7.1 kg (15.6 lbs)
Shipping weight	10 kg (22 lbs)

Application

This loudspeaker is exclusively meant for the reproduction of audio signals according to instructions and specifications given in this manual. We're not liable for any damage caused by unintended use.