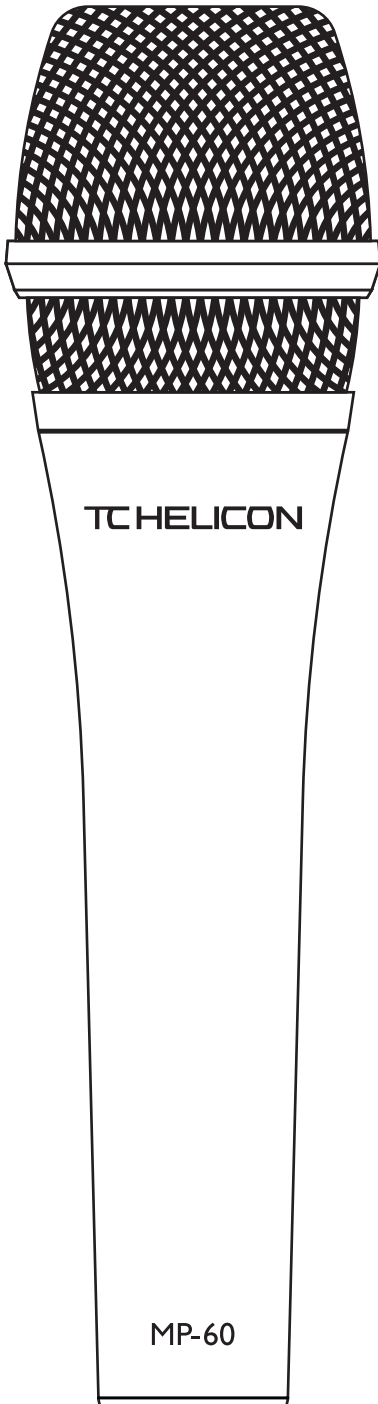


MP-60

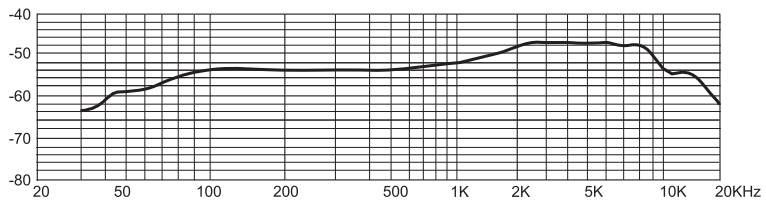
Pro-Quality Handheld Microphone for Live Vocals



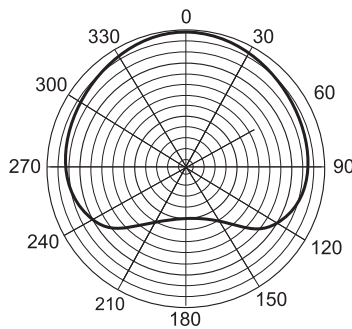
Specifications

Element type	Dynamic
Pickup pattern	Cardioid
Magnet	Neodymium
Impedance	600 Ohms
Sensitivity	-53 dBV/Pa (2.2 mV) – 1 Pa = 94 dB SPL measured @ 1 kHz
Frequency response	40 Hz to 16.5 kHz
Weight	0.7 lbs (0.31 kg)
Dimensions	Height 7.25 in (185 mm), diameter (max): 2.1 in (52 mm)

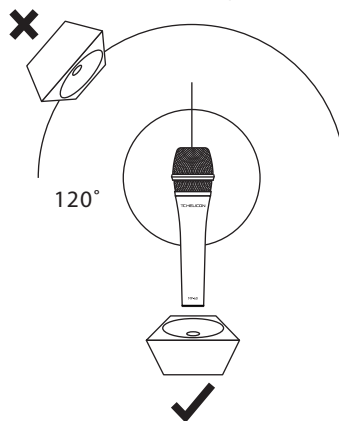
Frequency Response (typical)



Polar Pattern



Microphone Usage



- Avoid facing monitor or PA speakers into the mic.
- The optimum location for monitor speakers with cardioid microphones is directly behind the mic.
- Setting monitor levels while singing close (<3 cm) to the mic is best for avoiding feedback.

Music Tribe accepts no liability for any loss which may be suffered by any person who relies either wholly or in part upon any description, photograph, or statement contained herein. Technical specifications, appearances and other information are subject to change without notice. All trademarks are the property of their respective owners. Midas, Klark Teknik, Lab Gruppen, Lake, Tannoy, Turbosound, TC Electronic, TC Helicon, Behringer, Bugera, Auratone and Coolaudio are trademarks or registered trademarks of Music Tribe Global Brands Ltd. © Music Tribe Global Brands Ltd. 2020 All rights reserved.