



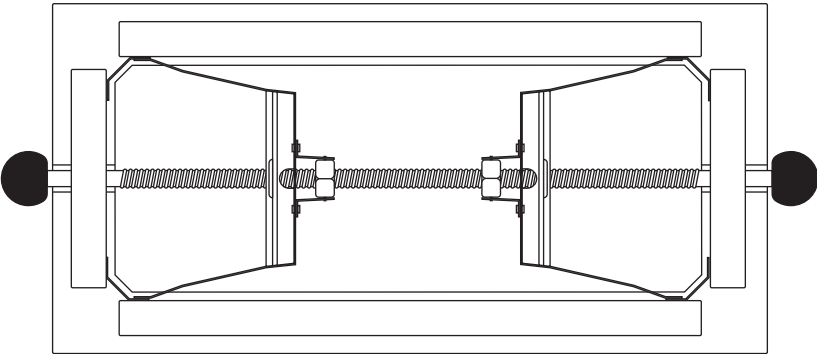

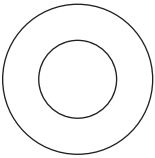

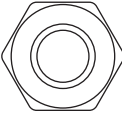
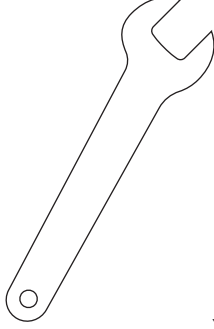
PIANO STOOL

PB-40 / PB-50 / PB-60 / PB-70

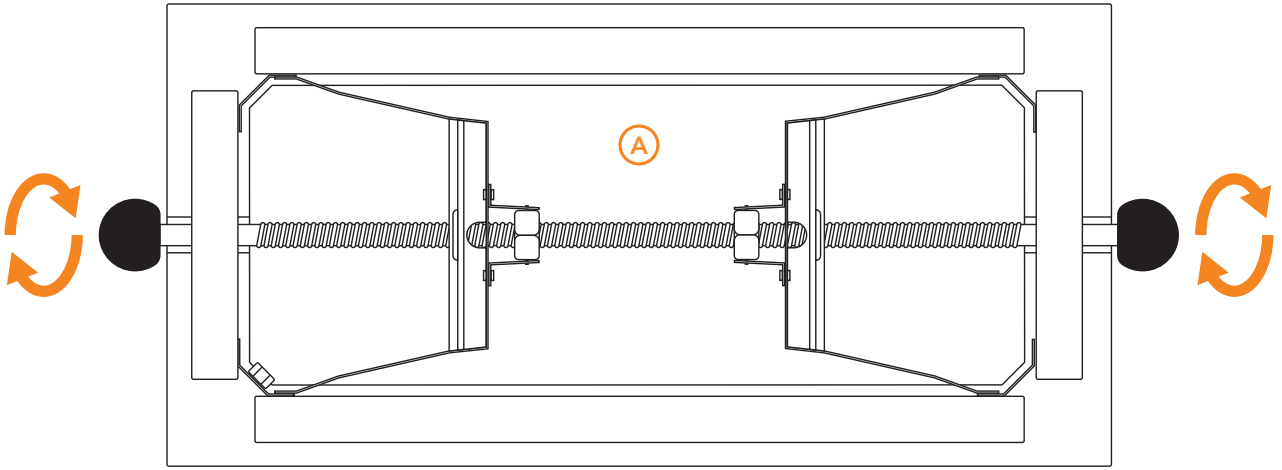
ASSEMBLY GUIDE

CONTENTS CHECKLIST

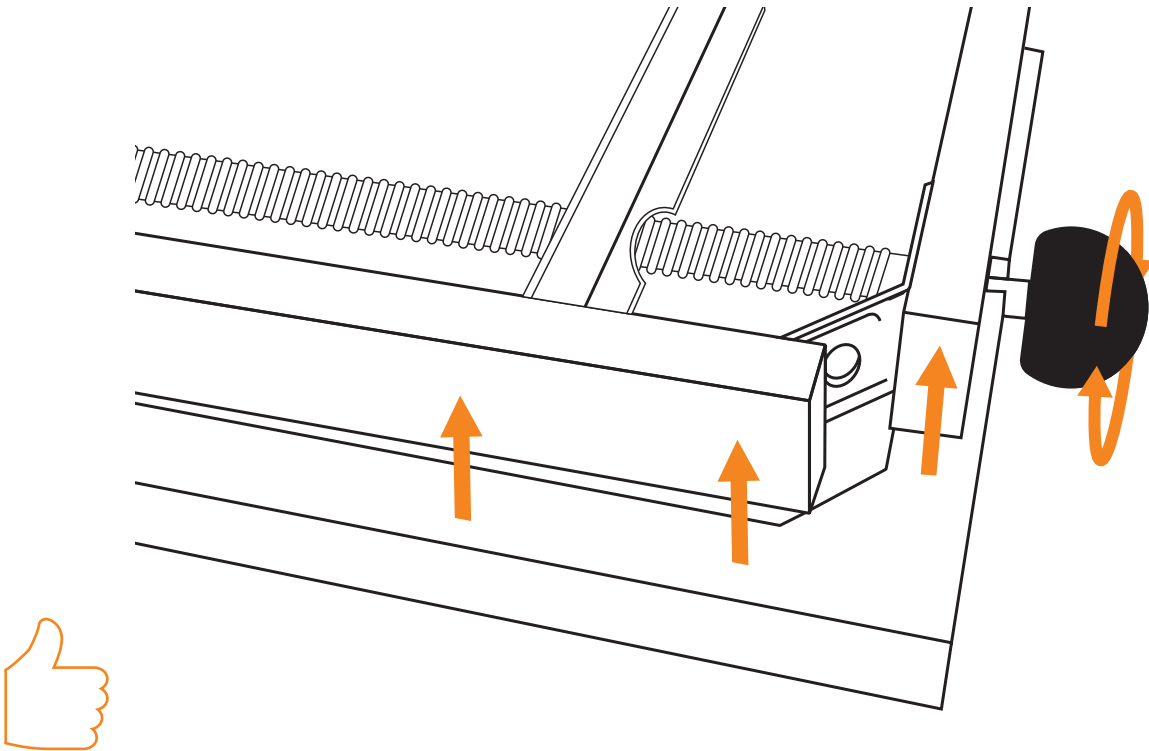
First, check the contents of the package and make sure you have everything you need to complete the assembly of this product.

<p>A</p>  <p>X1</p>	<p>B</p>  <p>X4</p>		
<p>C</p>  <p>X4</p>	<p>D</p>  <p>X4</p>	<p>E</p>  <p>X4</p>	<p>F</p>  <p>X1</p>

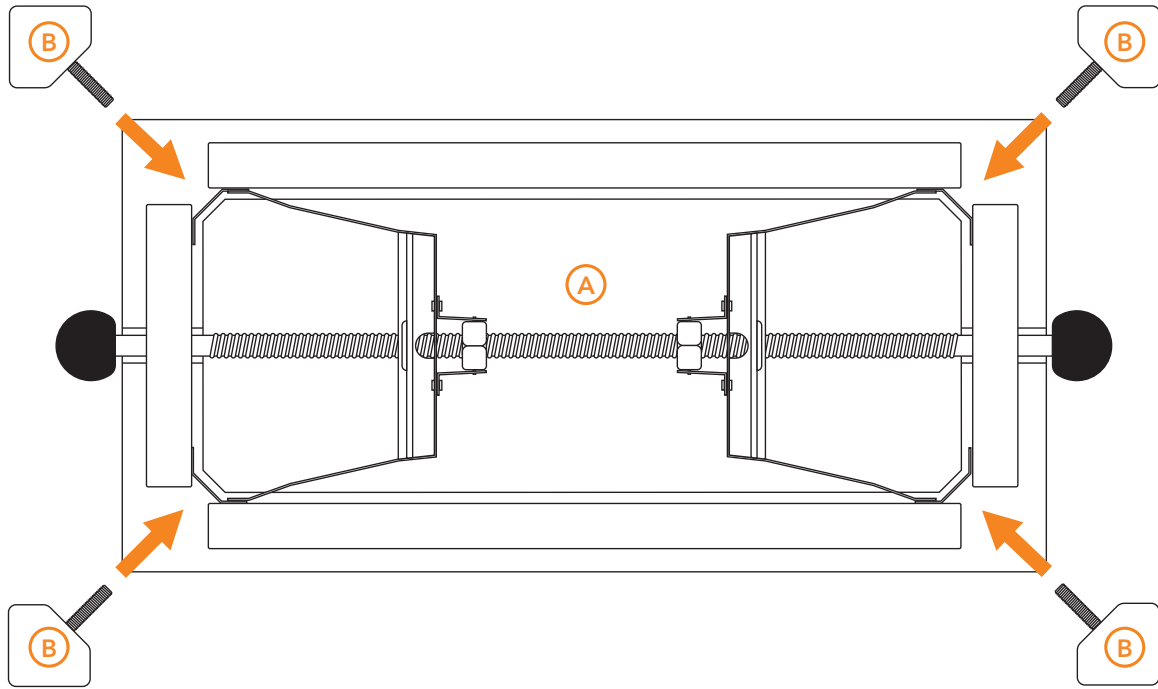
1



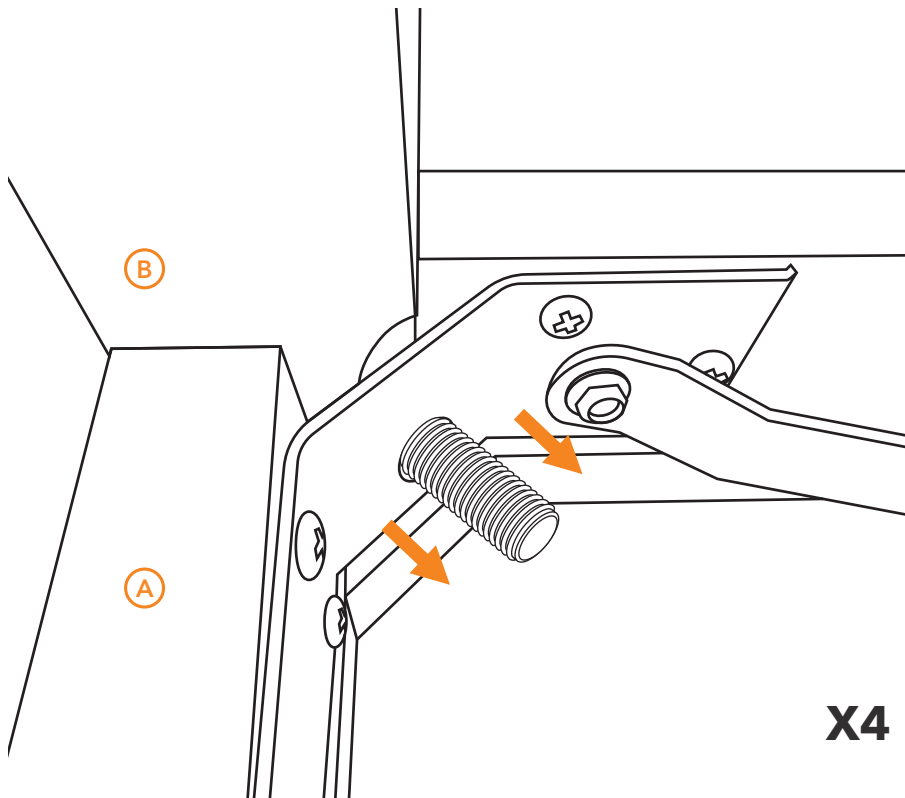
2



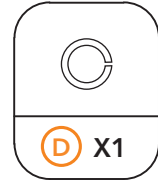
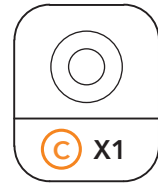
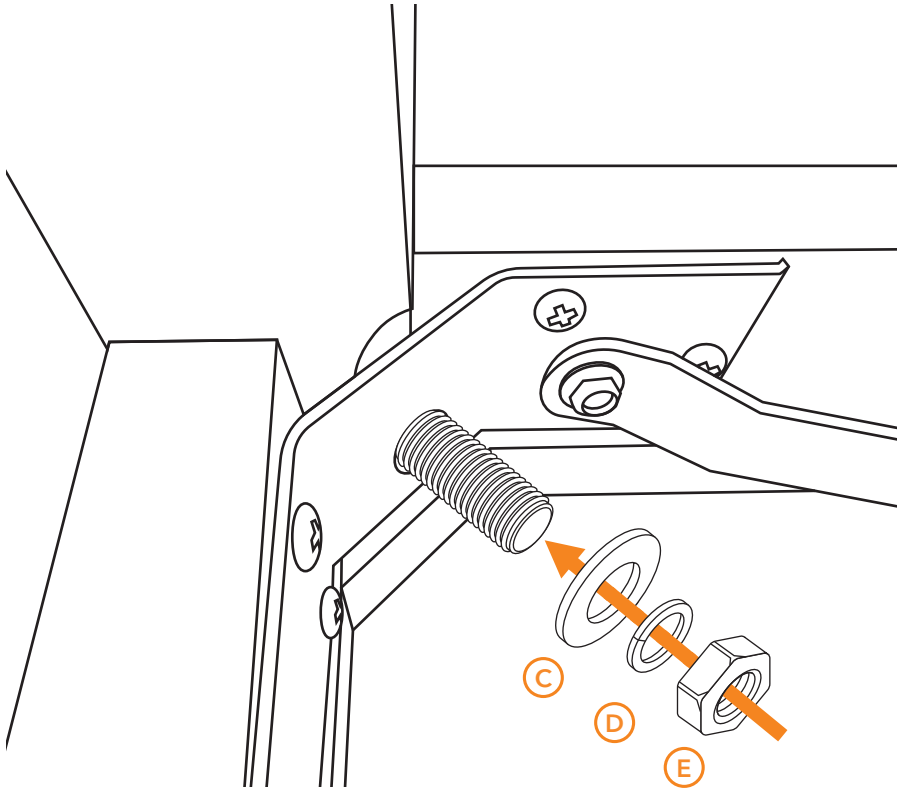
3



4

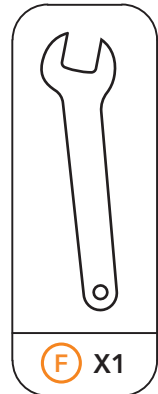
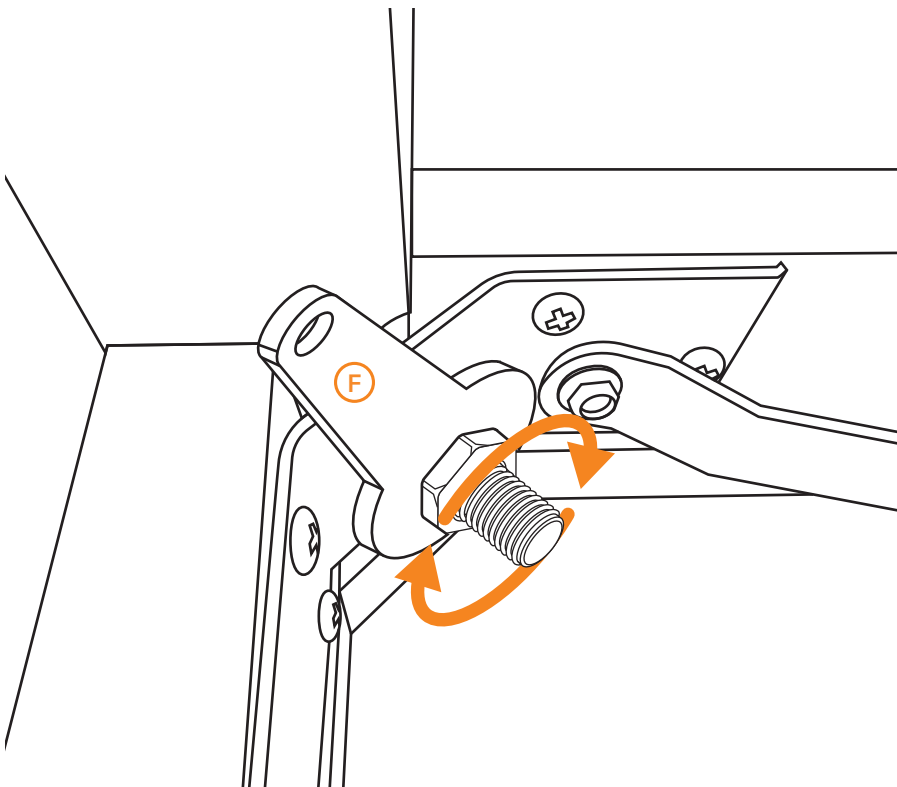


5



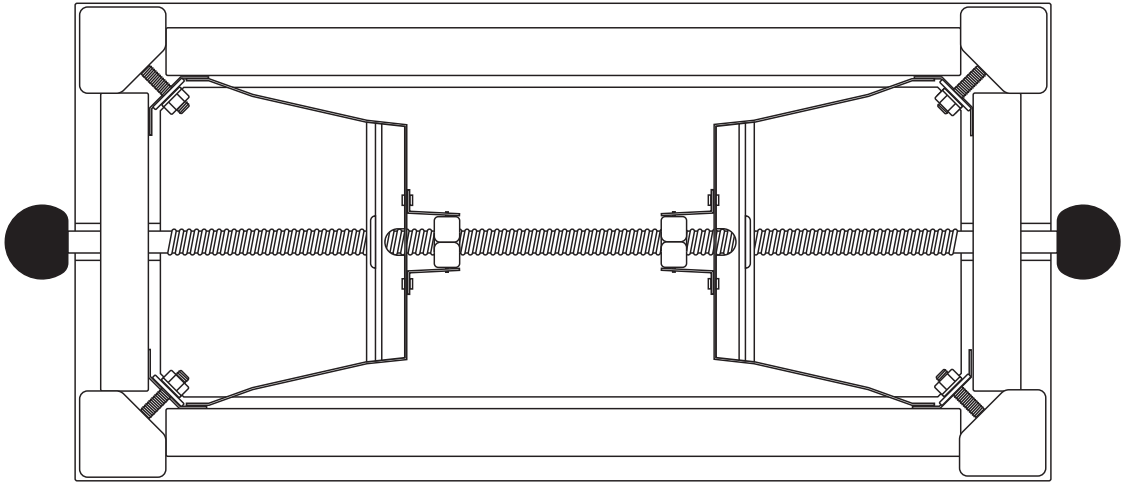
X4

6



X4

7



NOTE: Product shown is PB-40, other models may vary.



KETTLESTRING LANE | YORK | YO30 4XF | UNITED KINGDOM
METALLVÄGEN 45A | 195 72 ROSERSBERG | STOCKHOLM | SVERIGE
LAHNSTRASSE 27 | 45478 MÜLHEIM AN DER RUHR | DEUTSCHLAND

If you have any more questions about this product, please do not hesitate to contact the Gear4music Customer Service Team on: **+44 (0) 330 365 4444** or **info@gear4music.com**