



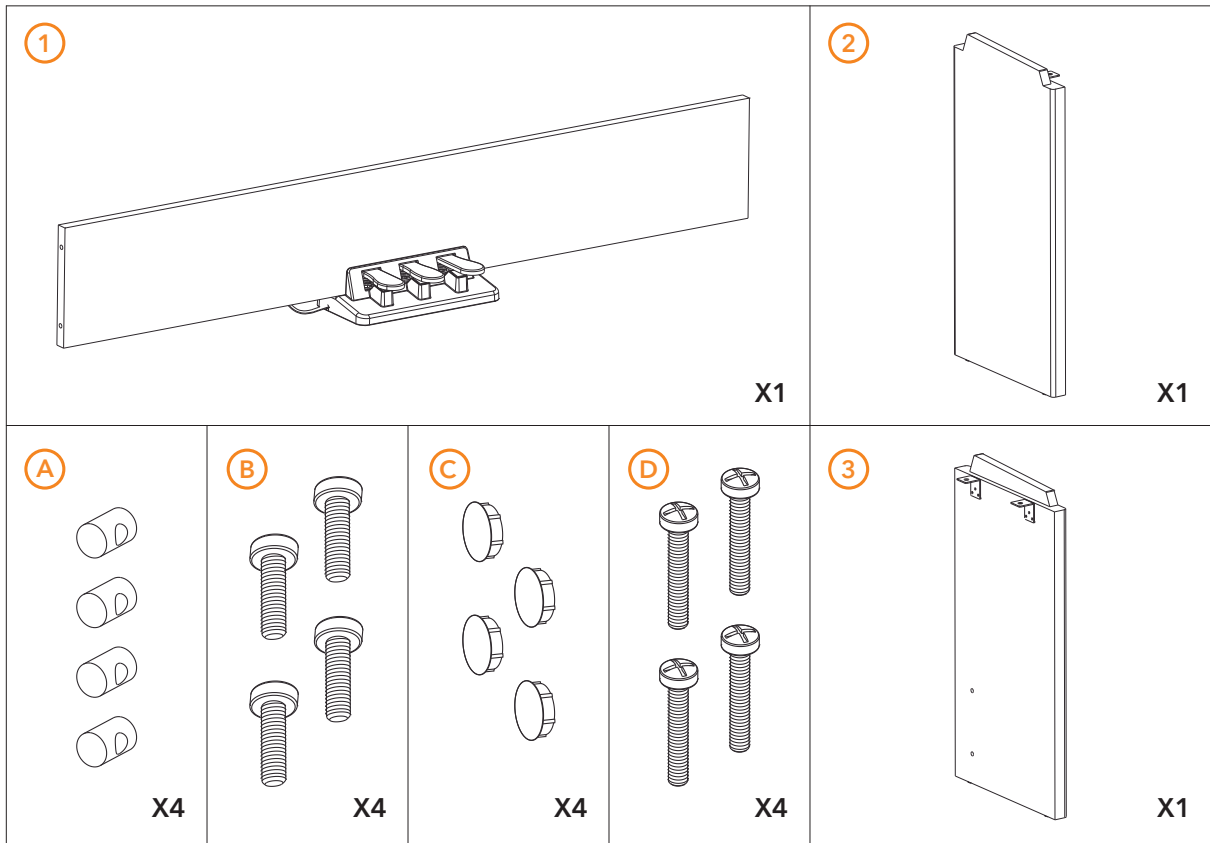
SDP-4 PIANO STAND

SDP-4-STAND

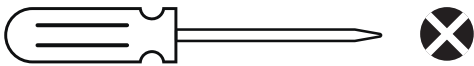
ASSEMBLY GUIDE

CONTENTS CHECKLIST

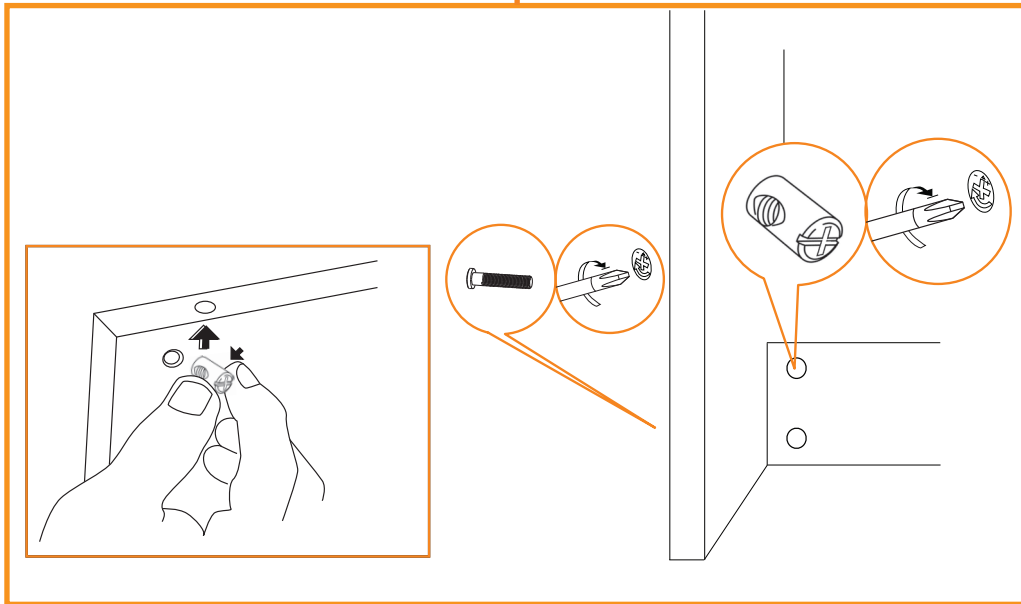
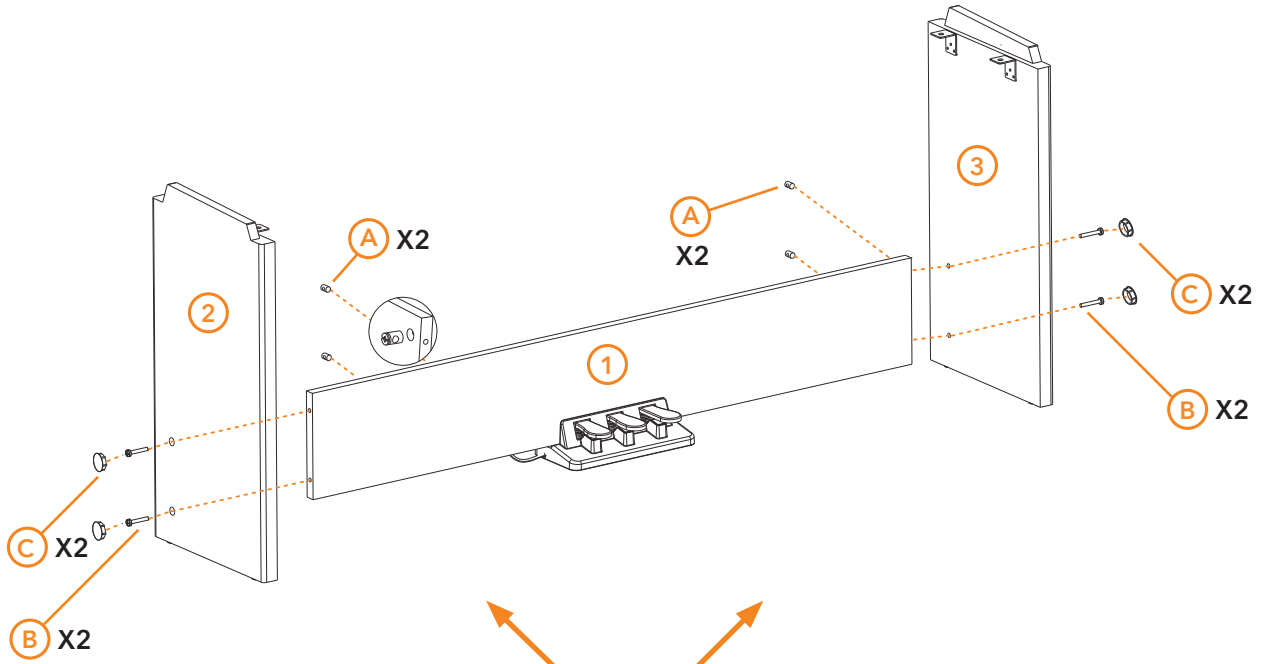
First, check the contents of the package and make sure you have everything you need.



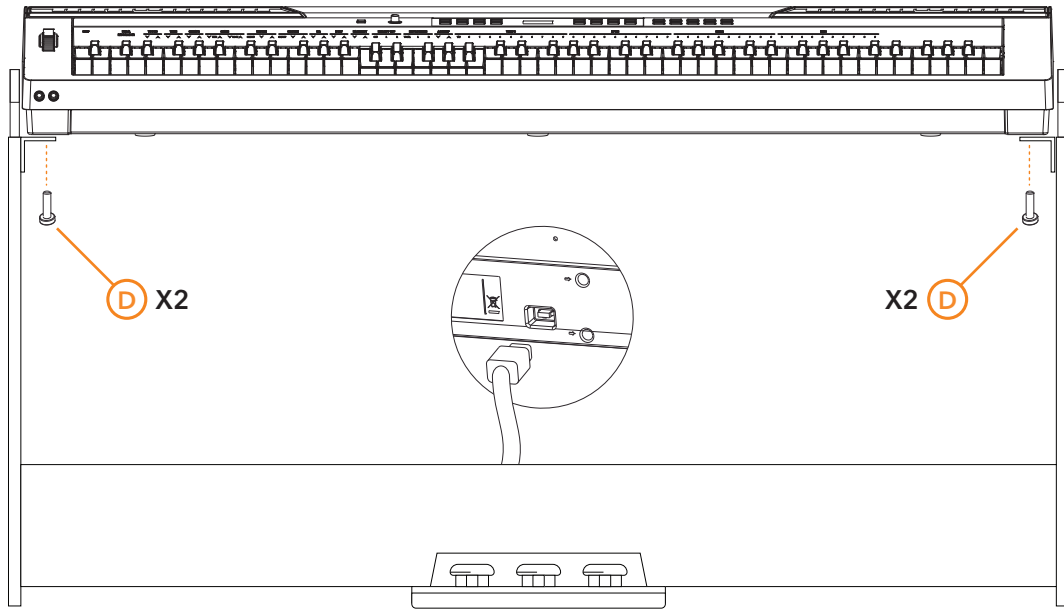
TOOLS REQUIRED



1



2



KETTLESTRING LANE | YORK | YO30 4XF | UNITED KINGDOM
METALLVÄGEN 45A | 195 72 ROSERSBERG | STOCKHOLM | SVERIGE
LAHNSTRASSE 27 | 45478 MÜLHEIM AN DER RUHR | DEUTSCHLAND

If you have any more questions about this product, please do not hesitate to contact the Gear4music Customer Service Team on: **+44 (0) 330 365 4444** or **info@gear4music.com**