

SubZero

MONITOR ISOLATION PLATFORM

ISO-MONSTAND

USER MANUAL

INTRODUCTION

Thank you for purchasing the SubZero Monitor Isolation Stand. To get the most from your new product, please read this manual carefully.

This adjustable monitor stand combines a hardened plastic and steel construction with copolymer spring isolators in order to assist with true sound reproduction from your studio monitors.

BOX CONTENTS

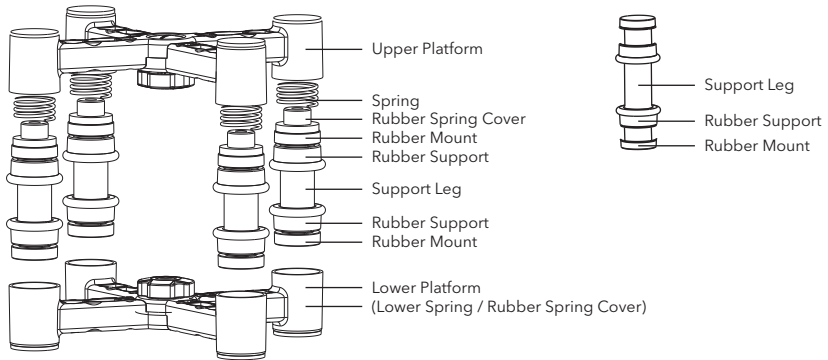
- 1 x SubZero Monitor Isolation Stand.
- 4 x 75mm support legs.
- 4 x 200mm support legs.

FEATURES

- Isolates your monitors from any surface.
- Double spring loaded support structure.
- Two lengths of support legs to suit all environments.
- Improved stereo image and enhanced bass response.

ADJUSTING THE HEIGHT

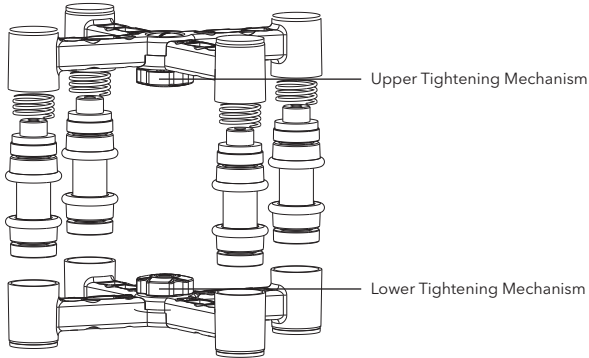
You are able to adjust the height of the SubZero Monitor Isolation Stand by changing the support legs. Use either the four 75mm support legs or the four 200mm support legs, which are both provided in the box, to get the best height for your listening environment. To adjust the height, please follow the below steps.



1. Lift the top platform of the stand so it separates from the four poles & bottom platform.
2. Leave the spring and rubber spring cover inside the top platform.
3. Remove the poles from the bottom platform.
4. Remove the rubber mount and support from each end of the four poles.
5. Attach the rubber mounts and supports to the poles you wish to use.
6. Re-insert the support legs, now with rubber mounts and supports attached, into the platform.
7. Replace the top platform on the four poles, ensuring the rubber supports fit securely into the poles.

ADJUSTING THE PLATFORM

You are able to adjust the platform area of the SubZero Monitor Isolation Stand to suit your monitors. To adjust the area, please follow the below steps. (Note: please ensure monitors are removed from the stand before adjusting the platform area).



1. Loosen the upper and lower tightening mechanisms by turning them in an anti-clockwise direction.
2. Adjust the upper and lower platforms as required.
3. Tighten the upper and lower tightening mechanisms by turning them in a clockwise direction.

SPECIFICATIONS

Suitable for speakers with up to 8" drivers

Height:75mm / 200mm

Platform Arm Length:290mm

Support Poles Material:Steel

Platform Material:Hardened Plastic

Weight:1.5kg

KETTLESTRING LANE | YORK | YO30 4XF | UNITED KINGDOM
METALLVÄGEN 45A | 195 72 ROSERSBERG | STOCKHOLM | SVERIGE
LAHNSTRASSE 27 | 45478 MÜLHEIM AN DER RUHR | DEUTSCHLAND

If you have any more questions about this product, please do not hesitate to contact the Gear4music Customer Service Team on: **+44 (0) 330 365 4444** or **info@gear4music.com**