

# JRX218S

18" Compact  
 Subwoofer

## Key Features:

- ▶ 18 in compact subwoofer.
- ▶ 350 W (continuous), 1400 W (peak) power capacity.
- ▶ The rugged enclosure is constructed from 19 mm (.75 in) MDF (Medium Density Fiberboard) using advanced adhesives and mechanical fastener technology for durability and improved low-frequency performance. The enclosure is covered in black carpet.
- ▶ A top mounted, cast aluminum 36 mm pole mount receptacle can receive an optional SS3BK pole to facilitate use of the JRX218S as a base for a midhigh speaker cabinet.
- ▶ Non-resonant, all steel handles are used.
- ▶ Attractive 18-gauge hexagon perforated steel grille protects components from damage.

The JRX218S is an 18" compact direct-radiation subwoofer designed to supplement and extend low frequency performance of full-range systems in live sound and music playback applications.

The JRX218S is driven by a massive JBL 18" woofer with a stamped steel frame and 3" voice-coil. It's rated at 350 watts (continuous) and 1400 watts (peak) – based on JBL Professional's 100 hour extended life test.



## Specifications:

System Type:	18" compact subwoofer
4 $\pi$ Frequency Range (-10 dB) <sup>1</sup> :	35 Hz – 250 Hz
2 $\pi$ Frequency Range (-10 dB) <sup>1</sup> :	34 Hz – 250 Hz
4 $\pi$ Frequency Response ( $\pm 3$ dB) <sup>1</sup> :	54 Hz – 250 Hz
2 $\pi$ Frequency Response ( $\pm 3$ dB) <sup>1</sup> :	53 Hz – 250 Hz
Sensitivity (1w/1m):	98 dB
Nominal Impedance:	4 $\Omega$
Rated Maximum SPL <sup>2</sup> :	133 dB peak, @1 m (3.3 ft)
Power Capacity <sup>3</sup> :	350 watts
Peak Power Capacity <sup>3</sup> :	1400 watts
Recommended Amplifier Power:	350 - 700 watts @ 4 ohms
Dimensions (H x W x D):	605 mm x 508 mm x 551 mm (23.8 in x 20.0 in x 21.7 in)
Net Weight:	32.2 kg (71 lb)
Shipping Weight:	36.8 kg (81 lb)
LF Driver:	M118-4
Input Connectors:	Neutrik® Speakon® NL-4 (x2); parallel
Enclosure Construction:	19 mm ( $\frac{3}{4}$ in) MDF (Medium Density Fiberboard) with glued and mechanically fastened joint detail; covered in black carpet.
Grille:	18-gauge, powder-coated steel
Optional Accessory:	SS3-BK

<sup>1</sup> Frequency Range and Frequency Response are based on half-space conditions.

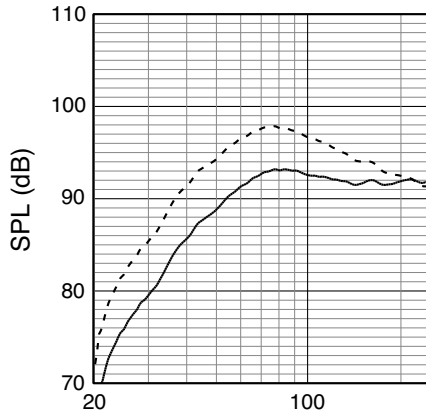
<sup>2</sup> Calculated half-space (2 $\pi$ ) performance based upon peak power capacity.

<sup>3</sup> "Power Capacity" and "Peak Power Capacity" ratings are based on the average and peak power capacity of product samples subjected to a 100 hour power test using random noise with a 6 dB crest factor, in accordance with IEC standards.

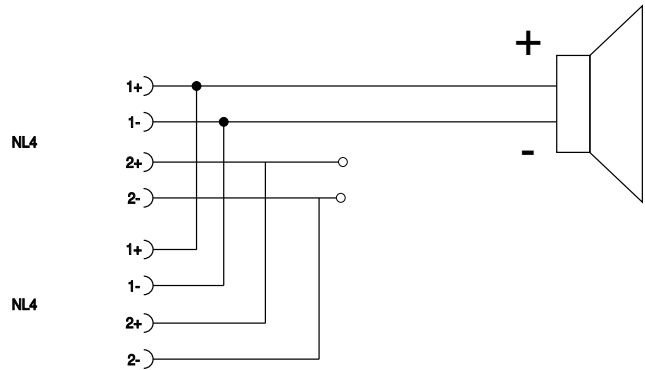
JBL continually engages in research related to product improvement. Some materials, production methods and design refinements are introduced into existing products without notice as a routine expression of that philosophy. For this reason, any current JBL product may differ in some respect from its published description, but will always equal or exceed the original design specifications unless otherwise stated.

# ► JRX218S 18" Compact Subwoofer

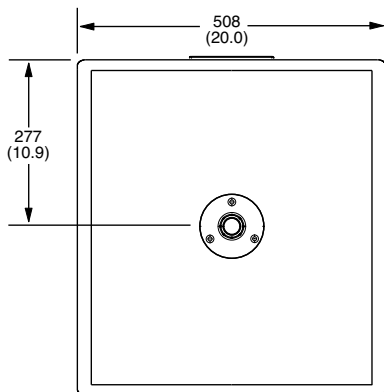
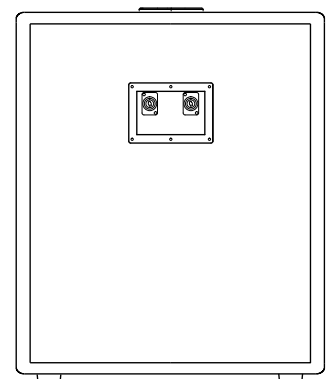
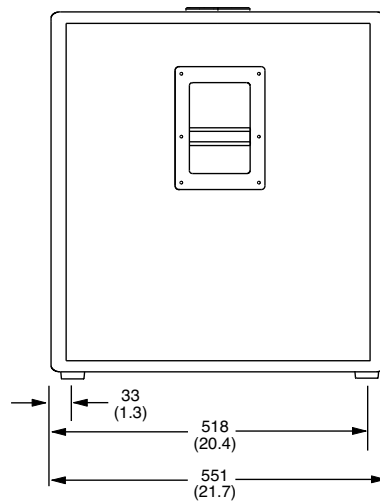
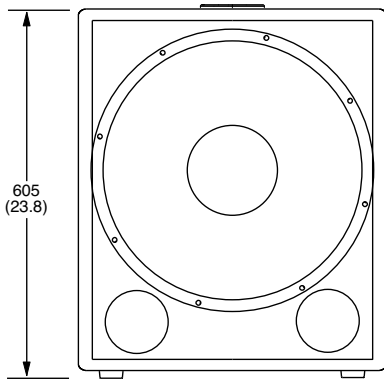
## Frequency Response:



## Block Diagram:



## Dimensions



Dimensions in mm (in)



JBL Professional  
8500 Balboa Boulevard, P.O. Box 2200  
Northridge, California 91329 U.S.A.

© Copyright 2013 JBL Professional  
[www.jblpro.com](http://www.jblpro.com)

SSJRX218S  
CRP  
06/13