



# VIZI HEX WASH7



## User Instructions

Rev. 8/25/20



©2017 **ADJ Products, LLC** all rights reserved. Information, specifications, diagrams, images, and instructions herein are subject to change without notice. ADJ Products, LLC logo and identifying product names and numbers herein are trademarks of ADJ Products, LLC. Copyright protection claimed includes all forms and matters of copyrightable materials and information now allowed by statutory or judicial law or hereinafter granted. Product names used in this document may be trademarks or registered trademarks of their respective companies and are hereby acknowledged. All non-ADJ Products, LLC brands and product names are trademarks or registered trademarks of their respective companies.

**ADJ Products, LLC** and all affiliated companies hereby disclaim any and all liabilities for property, equipment, building, and electrical damages, injuries to any persons, and direct or indirect economic loss associated with the use or reliance of any information contained within this document, and/or as a result of the improper, unsafe, insufficient and negligent assembly, installation, rigging, and operation of this product.

#### Europe Energy Saving Notice

Energy Saving Matters (EuP 2009/125/EC). Saving electric energy is a key to help protecting the environment. Please turn off all electrical products when they are not in use. To avoid power consumption in idle mode, disconnect all electrical equipment from power when not in use. Thank you!

## Table of Contents

Unpacking .....	4
Introduction.....	4
Customer Support.....	4
Safety Precautions.....	5
Features.....	6
Handling Precautions .....	6
Registration.....	6
Mounting .....	8
DMX Set-Up .....	10-12
DMX Control.....	13
DMX Traits .....	14-22
Color Macro Chart.....	23-25
System Menu .....	27
Operation.....	44
Photometric Chart .....	46-47
Dimmer Curve Chart.....	48
Fuse Replacement .....	48
Cleaning .....	49
Trouble Shooting .....	49
Warranty .....	50
Specifications .....	52

**Unpacking:** Thank you for purchasing the Vizi Hex Wash7 by ADJ Products, LLC. Every Vizi Hex Wash7 has been thoroughly tested and has been shipped in perfect operating condition. Carefully check the shipping carton for damage that may have occurred during shipping. If the carton appears to be damaged, carefully inspect your fixture for any damage and be sure all equipment necessary to operate the unit has arrived intact. In the event damage has been found or parts are missing, please contact our toll free customer support number for further instructions. Please do not return this unit to your dealer without contacting customer support first.

**Introduction:** The Vizi Hex Wash7 is a DMX intelligent, moving head, wash fixture. The Vizi Hex Wash7 has 3 DMX channel modes; 19 channels, 21 channels, or 27 channels. The fixture has two different operating modes; auto program or DMX control. The Vizi Hex Wash7 can be used as a stand alone unit or in a Primary/Secondary configuration. *For best results use fog or special effects smoke to enhance the beams projections.*

**Customer Support:** ADJ Products, LLC provides a toll free customer support line, to provide help and to answer any question should you encounter problems during your set up or initial operation. You may also visit us on the web at [www.adj.com](http://www.adj.com) for any comments or suggestions. Service Hours are Monday through Friday 8:00 a.m. to 4:30 p.m. Pacific Standard Time:

Voice:	(800) 322-6337
Fax:	(323) 582-2941
E-mail	<a href="mailto:support@americandj.com">support@americandj.com</a>

**Warning!** To prevent or reduce the risk of electrical shock or fire, do not expose this unit to rain or moisture.

**Warning!** *This may cause severe eye damage. Avoid looking directly into the light source at all times!*

***For Your Own Personal Safety, Please Read and Understand This Manual Completely Before You Attempt To Install Or Operate***

***This Unit!***

- To reduce the risk of electrical shock or fire, do not expose this unit to rain or moisture
- Do not spill water or other liquids into or on to your unit.
- Be sure that the local power outlet match that of the required voltage for your unit.
- Do not attempt to operate this unit if the power cord has been frayed or broken.
- Do not attempt to remove or break off the ground prong from the electrical cord. This prong is used to reduce the risk of electrical shock and fire in case of an internal short.
- Disconnect from main power before making any type of connection.
- Do not remove the cover under any conditions. There are no user serviceable parts inside.
- Never operate this unit when it's cover is removed.
- Always be sure to mount this unit in an area that will allow proper ventilation. Allow about 6" (15cm) between this device and a wall. Do not attempt to operate this unit, if it becomes damaged.
- This unit is intended for indoor use only, use of this product outdoors voids all warranties.
- Always mount this unit in safe and stable matter.
- Power-supply cords should be routed so that they are not likely to be walked on or pinched by items placed upon or against them, paying particular attention to cords at plugs, convenience receptacles, and the point where they exit from the appliance.
- Cleaning -The fixture should be cleaned only as recommended by the manufacturer. See page 47 for cleaning details. Heat -This fixture should be situated away from heat sources such as radiators, heat registers, stoves, or other appliances (including amplifiers) that produce heat.
- The fixture should be serviced by qualified service personnel when:
  - A. Objects have fallen, or liquid has been spilled into the appliance.
  - B. The appliance has been exposed to rain or water.
  - C. The appliance does not appear to operate normally or exhibits a marked change in performance.

## Vizi Hex Wash7

## Features

- DMX-512 Protocol Compatible (3 DMX Modes: 19 DMX Channel Mode, 21 DMX Channel Mode, and 27 DMX Channel Mode)
- Pan & Tilt Invert
- Locking Power Connector In/Out
- Locking 3/5-P XLR Connector In/Out
- Color Macros + Individual RGBWA+UV Control
- 2 Operating Modes - Auto Program & DMX Control
- Built-In ADJ's WiFly EXR Wireless DMX Up to 2,500 feet/760M
- Stand Alone Setup or Primary-Secondary Configuration
- Edit and Save Scenes into the Memory

## Vizi Hex Wash7

## Handling Precautions

***Caution!*** There are no user serviceable parts inside this unit. Do not attempt any repairs yourself, doing so will void your manufactures warranty. In the unlikely event your unit may require service please contact ADJ Products, LLC.

***During operation the housing may become extremely hot. Avoid touching the unit with bare hands while in use.***

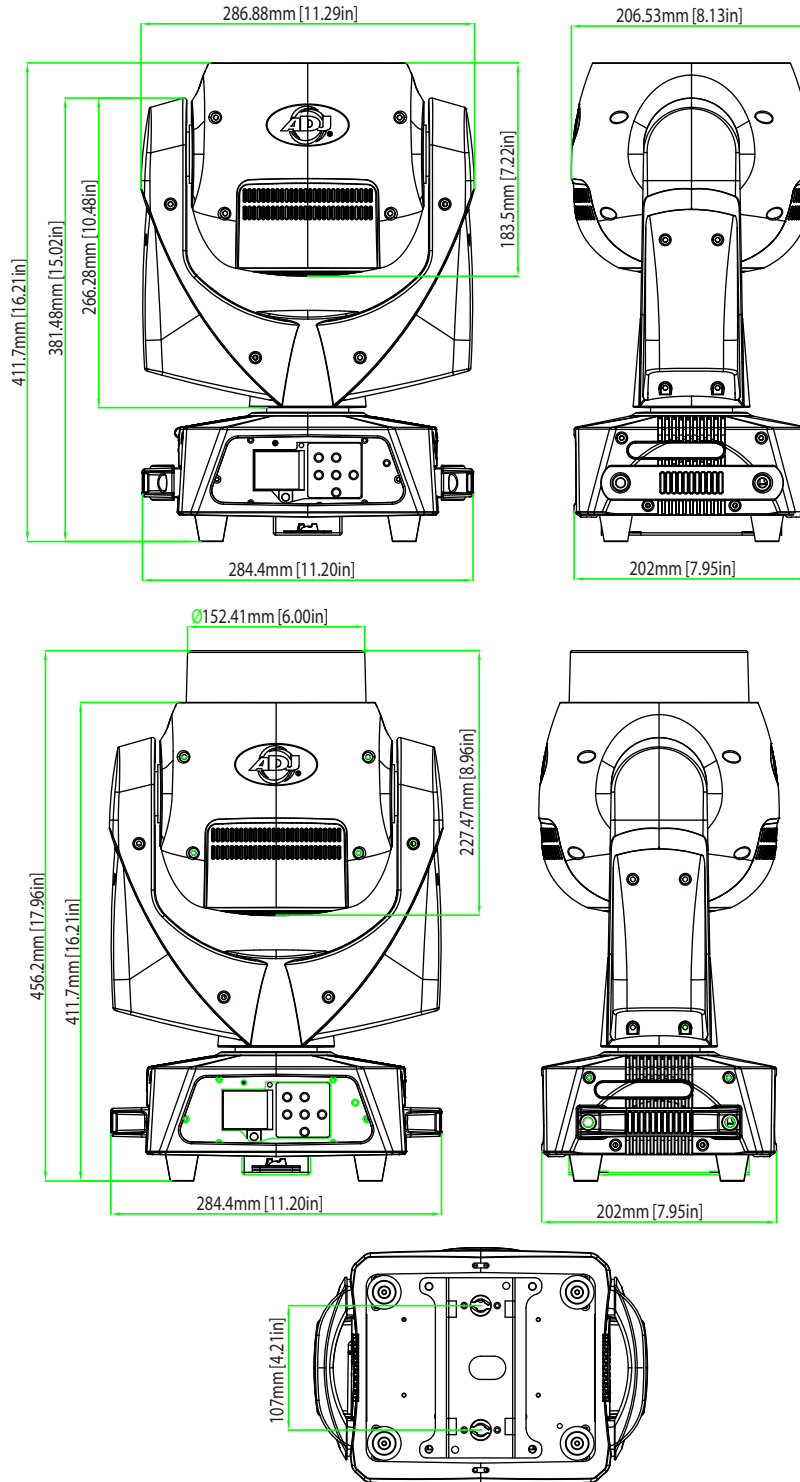
***ADJ Products, LLC will not accept any liability for any resulting damages caused by the non-observance of this manual or any unauthorized modification to this unit.***

## Vizi Hex Wash7

## Product Registration

The Vizi Hex Wash7 carries a two year limited warranty. Please fill out the enclosed warranty card to validate your purchase. All returned service items whether under warranty or not, must be freight pre-paid and accompany a return authorization (R.A.) number. The R.A. number must be clearly written on the outside of the return package. A brief description of the problem as well as the R.A. number must also be written down on a piece of paper and included in the shipping carton. If the unit is under warranty, you must provide a copy of your proof of purchase invoice. You may obtain a R.A. number by contacting our customer support team on our toll free customer support number. All packages returned to the service department not displaying a R.A. number on the outside of the package will be returned to the shipper at the shippers cost.

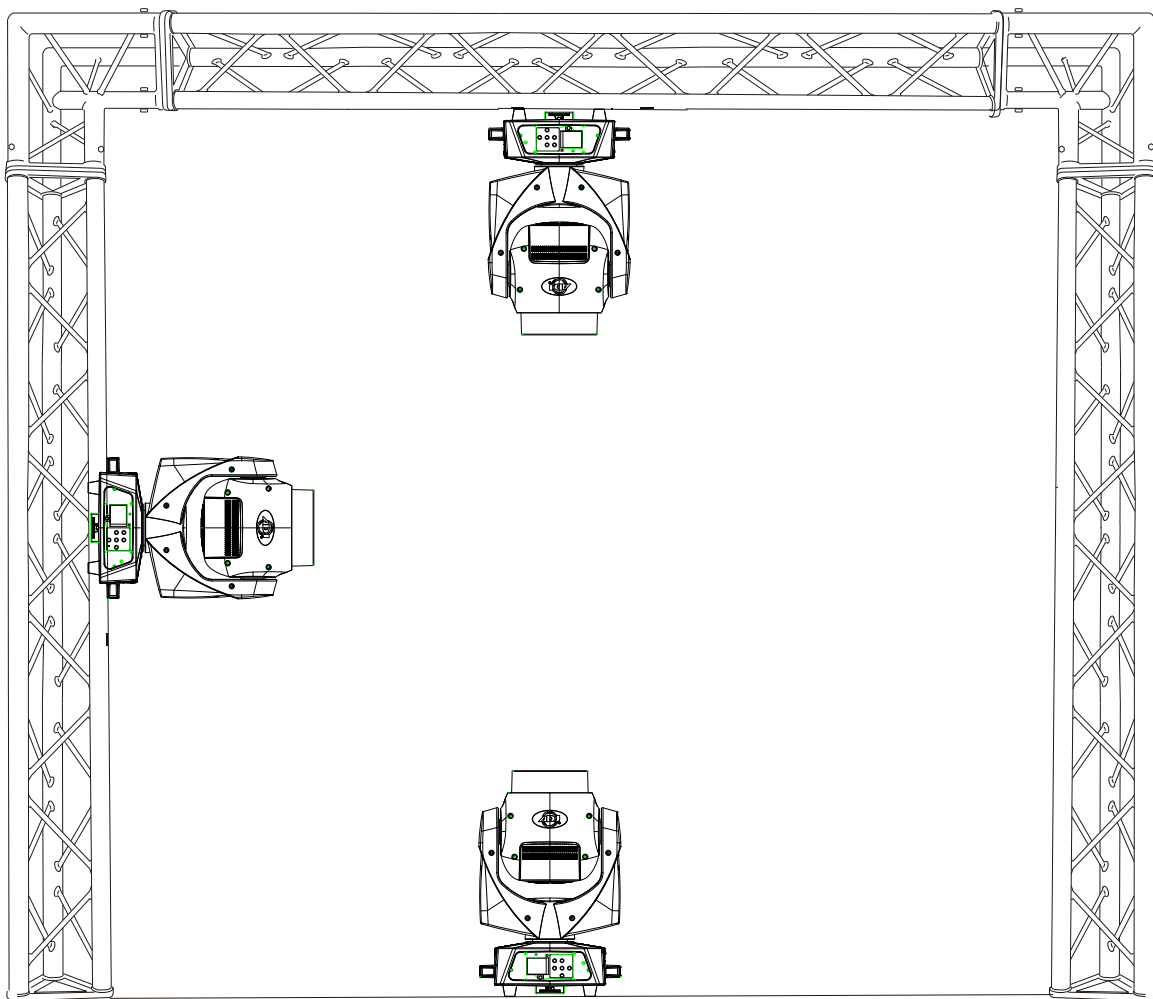
To optimize the performance of this product, please read these operating instructions carefully to familiarize yourself with the basic operations of this unit. These instructions contain important safety information regarding the use and maintenance of this unit. Please keep this manual with the unit, for future reference.



When installing the unit, the trussing or area of installation must be able to hold 10 times the weight without any deformation. When installing the unit must be secured with a Secondary safety attachment, e.g. and appropriate safety cable. Never stand directly below the unit when mounting, removing, or servicing the unit.

Overhead mounting requires extensive experience, including calculating working load limits, installation material being used, and periodic safety inspection of all installation material and unit. If you lack these qualifications, do not attempt the installation yourself.

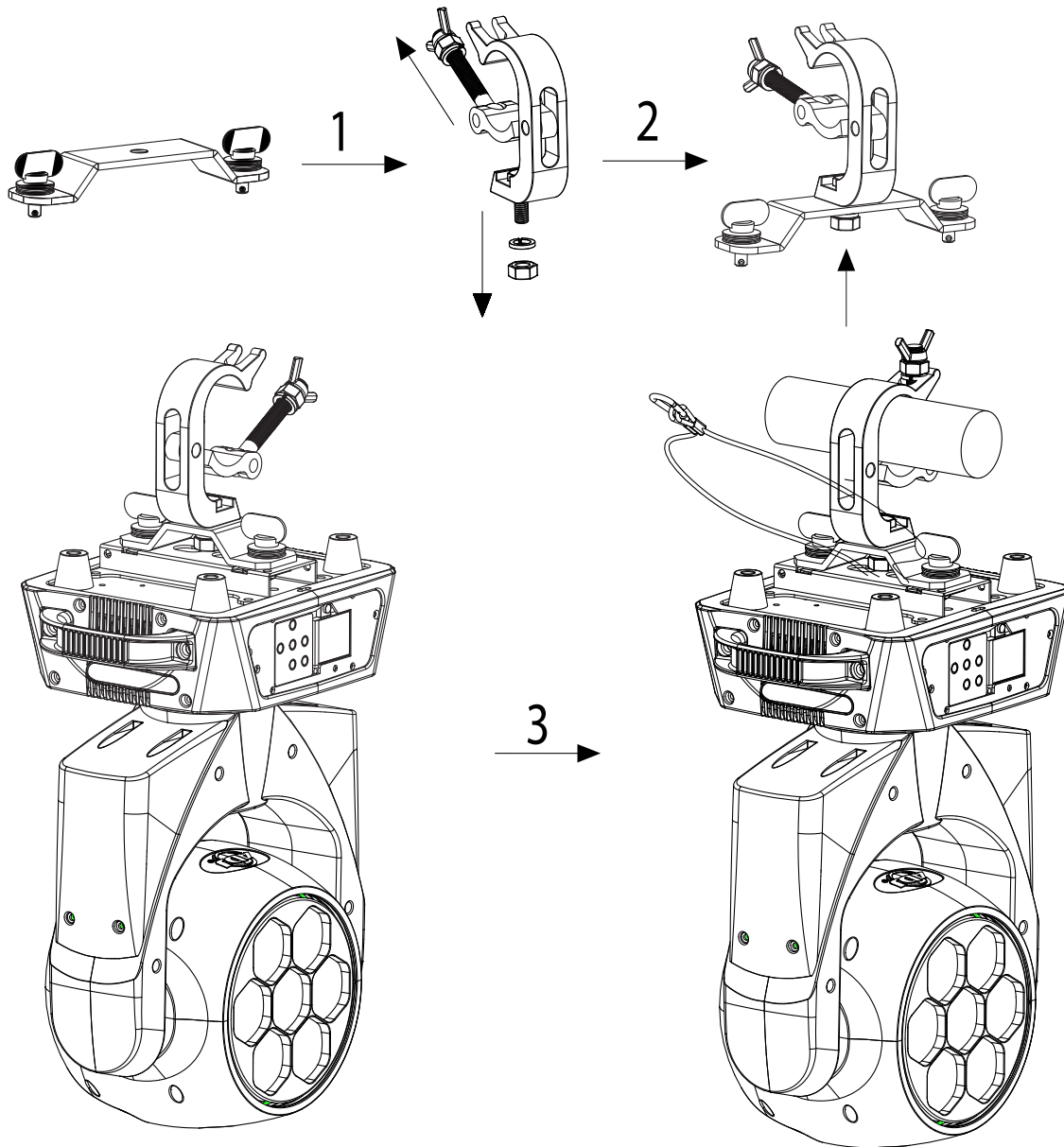
These installations should be checked by a skilled person once a year.



The Vizi Hex Wash7 is fully operational in three different mounting positions; hanging upside-down from a ceiling, mounted sideways on trussing, or set on a flat level surface. Be sure this fixture is kept at least 0.5m away from any flammable materials (decoration etc.). Always use and install the supplied safety cable as a safety measure to prevent accidental damage and/or injury in the event the clamp fails (see next page). Never use the carrying handles for Secondary attachment.



**NOTICE:** The suitable environmental temperature for this lighting fixture is between -25° C to 45° C. Do not place this lighting fixture in an environment where the temperatures are under or above the temperatures stated above. This will allow the fixture to run at its best and help prolong the fixture life.



Screw one clamp each via a M12 screw and nut onto the Omega holders. Insert the quick-lock fasteners of the Omega holders into the respective holes on the bottom of the Vizi Hex Wash7. Tighten the quick-lock fasteners fully clockwise. Install the second Omega holder. Pull the safety-cable through the holes on the bottom of the base and over the trussing system or a safe fixation spot. Insert the end in the carabiner and tighten the safety screw.

**Power Supply:** The ADJ Vizi Hex Wash7 contains a electronic voltage switch, which will auto sense the voltage when it is plugged into the power source. With the electronic ballast you do not need to worry about wall voltage, this unit can be plugged in anywhere.

**DMX-512:** *DMX is short for Digital Multiplex. This is a universal protocol used by most lighting and controller manufactures as a form of communication between intelligent fixtures and controllers. A DMX controller sends DMX data instructions from the controller to the fixture. DMX data is sent as serial data that travels from fixture to fixture via the DATA “IN” and DATA “OUT” XLR terminals located on all DMX fixtures (most controllers only have a DATA “OUT” terminal).*

**DMX Linking:** DMX is a language allowing all makes and models of different manufactures to be linked together and operate from a single controller, as long as all fixtures and the controller are DMX compliant. *To ensure proper DMX data transmission, when using several DMX fixtures try to use the shortest cable path possible. The order in which fixtures are connected in a DMX line does not influence the DMX addressing. For example; a fixture assigned a DMX address of 1 may be placed anywhere in a DMX line, at the beginning, at the end, or anywhere in the middle. Therefore, the first fixture controlled by the controller could be the last fixture in the chain. When a fixture is assigned a DMX address of 1, the DMX controller knows to send DATA assigned to address 1 to that unit, no matter where it is located in the DMX chain.*

**Data Cable (DMX Cable) Requirements (For DMX and Primary/Secondary Operation):**

The Vizi Hex Wash7 can be controlled via DMX-512 protocol. The Vizi Hex Wash7 can be either a 19, 21, or 27 channel DMX unit. The DMX address is set electronically using the controls on the panel of the unit. Your unit and your DMX controller require a approved DMX-512 110 Ohm Data cable for data input and data output (Figure 1). We recommend Accu-Cable DMX cables. If you are making your own cables, be sure to use standard 110-120 Ohm shielded cable (This cable may be purchased at almost all professional sound and lighting stores). Your cables should be made with a male and female XLR connector on either end of the cable. Also remember that DMX cable must be daisy chained and cannot be split.



Figure 1

a male and female XLR connector on either end of the cable. Also remember that DMX cable must be daisy chained and cannot be split.

**Notice:** Be sure to follow figures two and three when making your own cables. Do not use the ground lug on the XLR connector. Do not connect the cable's shield conductor to the ground lug or allow the shield conductor to come in contact with the XLR's outer casing. Grounding the shield could cause a short circuit and erratic behavior.

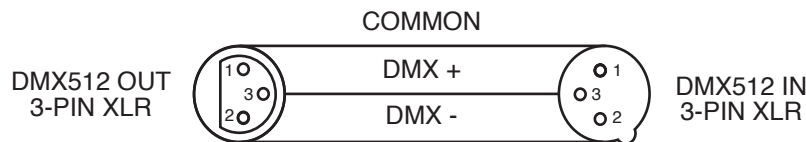


Figure 2

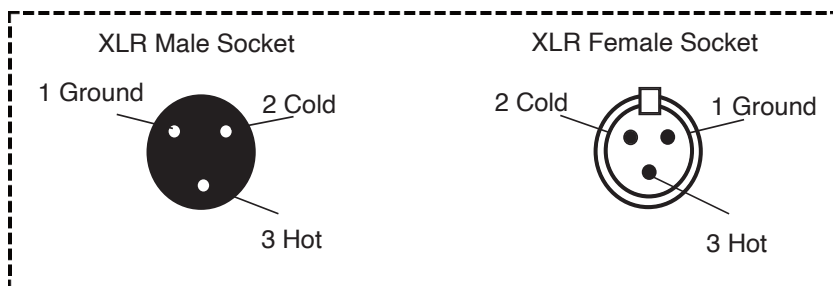
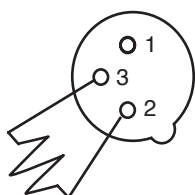


Figure 3

XLR Pin Configuration
Pin 1 = Ground
Pin 2 = Data Compliment (negative)
Pin 3 = Data True (positive)

**Special Note: Line Termination.** When longer runs of cable are used, you may need to use a terminator on the last unit to avoid erratic behavior. A terminator is a 110-120 ohm 1/4 watt resistor which is connected between pins 2 and 3 of a male XLR connector (DATA + and DATA -). This unit is inserted in the female XLR connector of the last unit in your daisy chain to terminate the line. Using a cable terminator (ADJ part number Z-DMX/T) will decrease the possibilities of erratic behavior.



Termination reduces signal errors and signal transmission problems interference. It is always advisable connect a DMX terminal, (Resistance Ohm 1/4 W) between PIN 2 (DMX-) PIN 3 (DMX+) of the last fixture.

Figure 4

**5-Pin XLR DMX Connectors.** Some manufactures use 5-pin DMX-512 data cables for DATA transmission in place of 3-pin. 5-pin DMX fixtures may be implemented in a 3-pin DMX line. When inserting standard 5-pin data cables in to a 3-pin line a cable adapter must be used, these adapters are readily available at most electric stores. The chart below details a proper cable conversion.

<b>3-Pin XLR to 5-Pin XLR Conversion</b>		
Conductor	3-Pin XLR Female (Out)	5-Pin XLR Male (In)
Ground/Shield	Pin 1	Pin 1
Data Compliment (- signal)	Pin 2	Pin 2
Data True (+ signal)	Pin 3	Pin 3
Not Used		Pin 4 - Do Not Use
Not Used		Pin 5 - Do Not Use

**Universal DMX Control:** This function allows you to use a universal DMX-512 controller to control head movement, colors, Primary dimmer, shutter (strobe), and various other features. A DMX controller allows you to create unique programs tailored to your individual needs.

1. The Vizi Hex Wash7 has 3 DMX channel modes; 19 Channel mode, 21 Channel mode, and 27 Channel mode. See pages 13-21 for detailed description of the DMX traits.
2. To control your fixture in DMX mode, follow the set-up procedures on pages 9-11 as well as the set-up specifications that are included with your DMX controller.
3. Use the controller's faders to control the various DMX fixture traits.
4. This will allow you to create your own programs.
5. Follow the directions on page 26 to select your DMX Channel mode, and to set the DMX address.
6. For longer cable runs (more than a 100 feet) use a terminator on the last fixture.
7. For help operating in DMX mode consult the manual included with your DMX controller.

**Vizi Hex Wash7****19 Channel DMX Mode (Basic)**

<b>Channel</b>	<b>Value</b>	<b>Function</b>
1	0 - 255	PAN MOVEMENT 8bit (540° or 630°)
2	0 - 255	TILT MOVEMENT 8bit
3	0 - 255	ALL RED LED 0% - 100%
4	0 - 255	ALL GREEN LED 0% - 100%
5	0 - 255	ALL BLUE LED 0% - 100%
6	0 - 255	ALL WHITE LED 0% - 100%
7	0 - 255	ALL AMBER LED 0% - 100%
8	0 - 255	ALL UV LED 0% - 100%
9	0 - 255	COLOR MACROS PLEASE SEE PAGE'S 22-24
10	0 - 31 32 - 63 64 - 95 96 - 127 128 - 159 160 - 191 192 - 223 224 - 255	SHUTTER/STROBE LED OFF LED ON STROBING SLOW - FAST LED ON STROBE PULSE SLOW - FAST LED ON RANDOM STROBE SLOW - FAST LED ON
11	0 - 255	Primary DIMMER 0% - 100%
12	0 - 255	DIMMER FINE 0% - 100%
13	0 - 255	ZOOM 7° - 58°

Channel	Value	Function
14	0 1 - 20 21 - 40 41 - 60 61 - 80 81 - 100 101 - 120 121 - 140 141 - 160 161 - 180 181 - 200 201 - 220 221 - 240 241 - 250 251 - 255	AUTO PROGRAMS OFF PROGRAM 1 PROGRAM 2 PROGRAM 3 PROGRAM 4 PROGRAM 5 PROGRAM 6 PROGRAM 7 PROGRAM 8 PROGRAM 9 PROGRAM 10 PROGRAM 11 PROGRAM 12 PROGRAM 13 PROGRAM 14
15	0 - 255	PROGRAM SPEED SLOW - FAST
16	0 1 - 255	AUTO PROGRAM FADE NORMAL SLOW - FAST
17	0 - 20 21 - 40 41 - 60 61 - 80 81 - 100 101 - 255	DIMMER MODE STANDARD STAGE TV ARCHITECTURAL THEATRE DEFAULT DIMMER SETTING
18	0 - 225 226 - 235 236 - 255	PAN/TILT SPEED FAST - SLOW BLACKOUT BY MOVEMENT NO FUNCTION

# Vizi Hex Wash7 19 Channel DMX Mode (Basic)

Channel	Value	Function
19	0 - 79	AUTO PROGRAMS
	80 - 84	NORMAL
	85 - 99	ALL MOTOR RESET
	100 - 119	NO FUNCTION
	120 - 139	INTERNAL PROGRAM 1
	140 - 159	INTERNAL PROGRAM 2
	160 - 179	INTERNAL PROGRAM 3
	180 - 199	INTERNAL PROGRAM 4
	200 - 219	INTERNAL PROGRAM 5
	220 - 239	INTERNAL PROGRAM 6
240 - 255	INTERNAL PROGRAM 7	
		NO FUNCTION



Channel	Value	Function
1	0 - 255	PAN MOVEMENT 8bit (540° or 630°)
2	0 - 255	PAN MOVEMENT FINE 16bit
3	0 - 255	TILT MOVEMENT 8bit
4	0 - 255	TILT MOVEMENT FINE 16bit
5	0 - 255	ALL RED LED 0% - 100%
6	0 - 255	ALL GREEN LED 0% - 100%
7	0 - 255	ALL BLUE LED 0% - 100%
8	0 - 255	ALL WHITE LED 0% - 100%
9	0 - 255	ALL AMBER LED 0% - 100%
10	0 - 255	ALL UV LED 0% - 100%
11	0 - 255	COLOR MACROS PLEASE SEE PAGE'S 22-24
12	0 - 31 32 - 63 64 - 95 96 - 127 128 - 159 160 - 191 192 - 223 224 - 255	SHUTTER/STROBE LED OFF LED ON STROBING SLOW - FAST LED ON STROBE PULSE SLOW - FAST LED ON RANDOM STROBE SLOW - FAST LED ON
13	0 - 255	Primary DIMMER 0% - 100%
14	0 - 255	DIMMER FINE 0% - 100%
15	0 - 255	ZOOM 7° - 58°

<b>Channel</b>	<b>Value</b>	<b>Function</b>
16	0	AUTO PROGRAMS OFF
	1 - 20	PROGRAM 1
	21 - 40	PROGRAM 2
	41 - 60	PROGRAM 3
	61 - 80	PROGRAM 4
	81 - 100	PROGRAM 5
	101 - 120	PROGRAM 6
	121 - 140	PROGRAM 7
	141 - 160	PROGRAM 8
	161 - 180	PROGRAM 9
	181 - 200	PROGRAM 10
	201 - 220	PROGRAM 11
	221 - 240	PROGRAM 12
	241 - 250	PROGRAM 13
251 - 255	PROGRAM 14	
17	0 - 255	PROGRAM SPEED SLOW - FAST
18	0 - 255	AUTO PROGRAM FADE NORMAL SLOW - FAST
19	0 - 20	DIMMER MODE STANDARD
	1 - 40	STAGE
	41 - 60	TV
	61 - 80	ARCHITECTURAL
	81 - 100	THEATRE
101 - 255	DEFAULT DIMMER SETTING	
20	0 - 225	PAN/TILT SPEED FAST - SLOW
	226 - 235	BLACKOUT BY MOVEMENT
	236 - 255	NO FUNCTION

<b>Channel</b>	<b>Value</b>	<b>Function</b>
16	0	AUTO PROGRAMS OFF
	1 - 20	PROGRAM 1
	21 - 40	PROGRAM 2
	41 - 60	PROGRAM 3
	61 - 80	PROGRAM 4
	81 - 100	PROGRAM 5
	101 - 120	PROGRAM 6
	121 - 140	PROGRAM 7
	141 - 160	PROGRAM 8
	161 - 180	PROGRAM 9
	181 - 200	PROGRAM 10
	201 - 220	PROGRAM 11
	221 - 240	PROGRAM 12
	241 - 250	PROGRAM 13
251 - 255	PROGRAM 14	
17	0 - 255	PROGRAM SPEED SLOW - FAST
18	0 - 255	AUTO PROGRAM FADE NORMAL SLOW - FAST
19	0 - 20	DIMMER MODE STANDARD
	1 - 40	STAGE
	41 - 60	TV
	61 - 80	ARCHITECTURAL
	81 - 100	THEATRE
	101 - 255	DEFAULT DIMMER SETTING
20	0 - 225	PAN/TILT SPEED FAST - SLOW
	226 - 235	BLACKOUT BY MOVEMENT
	236 - 255	NO FUNCTION

Channel	Value	Function
21	0 - 79	AUTO PROGRAMS
	80 - 84	NORMAL
	85 - 99	ALL MOTOR RESET
	101 - 119	NO FUNCTION
	120 - 139	INTERNAL PROGRAM 1
	140 - 159	INTERNAL PROGRAM 2
	160 - 179	INTERNAL PROGRAM 3
	180 - 199	INTERNAL PROGRAM 4
	200 - 219	INTERNAL PROGRAM 5
	220 - 239	INTERNAL PROGRAM 6
240 - 255	INTERNAL PROGRAM 7	
		NO FUNCTION

<b>Channel</b>	<b>Value</b>	<b>Function</b>
1	0 - 255	PAN MOVEMENT 8bit (540° or 630°)
2	0 - 255	PAN MOVEMENT FINE 16bit
3	0 - 255	TILT MOVEMENT 8bit
4	0 - 255	TILT MOVEMENT FINE 16bit
5	0 - 255	RED CENTER LED 0% - 100%
6	0 - 255	GREEN CENTER LED 0% - 100%
7	0 - 255	BLUE CENTER LED 0% - 100%
8	0 - 255	WHITE CENTER LED 0% - 100%
9	0 - 255	AMBER CENTER LED 0% - 100%
10	0 - 255	UV CENTER LED 0% - 100%
11	0 - 255	RED OUTER LEDS 0% - 100%
12	0 - 255	GREEN OUTER LED'S 0% - 100%
13	0 - 255	BLUE OUTER LEDS 0% - 100%
14	0 - 255	WHITE OUTER LEDS 0% - 100%
15	0 - 255	AMBER OUTER LEDS 0% - 100%
16	0 - 255	UV OUTER LEDS 0% - 100%
17	0 - 255	COLOR MACROS PLEASE SEE PAGE'S 22-24
18	0 - 31 32 - 63 64 - 95 96 - 127 128 - 159 160 - 191 192 - 223 224 - 255	SHUTTER/STROBE LED OFF LED ON STROBING SLOW - FAST LED ON STROBE PULSE SLOW - FAST LED ON RANDOM STROBE SLOW - FAST LED ON
19	0 - 255	Primary DIMMER 0% - 100%
20	0 - 255	DIMMER FINE 0% - 100%
21	0 - 255	ZOOM 7° - 58°

Channel	Value	Function
22	0	AUTO PROGRAMS
	1 - 20	OFF
	21 - 40	PROGRAM 1
	41 - 60	PROGRAM 2
	61 - 80	PROGRAM 3
	81 - 100	PROGRAM 4
	101 - 120	PROGRAM 5
	121 - 140	PROGRAM 6
	141 - 160	PROGRAM 7
	161 - 180	PROGRAM 8
	181 - 200	PROGRAM 9
	201 - 220	PROGRAM 10
	221 - 240	PROGRAM 11
	241 - 250	PROGRAM 12
251 - 255	PROGRAM 13	
25	0 - 255	PROGRAM SPEED SLOW - FAST
24	0	AUTO PROGRAM FADE
	0 - 255	NORMAL SLOW - FAST
25	0 - 20	DIMMER MODE
	21 - 40	STANDARD
	41 - 60	STAGE
	61 - 80	TV
	81 - 100	ARCHITECTURAL
101 - 255	THEATRE DEFAULT DIMMER SETTING	
25	0	PAN/TILT SPEED
	0 - 225	FAST - SLOW
	226 - 235	BLACKOUT BY MOVEMENT
	236 - 255	NO FUNCTION

Channel	Value	Function
27	0 - 79 80 - 84 85 - 99 101 - 119 120 - 139 140 - 159 160 - 179 180 - 199 200 - 219 220 - 239 240 - 255	AUTO PROGRAMS NORMAL ALL MOTOR RESET NO FUNCTION INTERNAL PROGRAM 1 INTERNAL PROGRAM 2 INTERNAL PROGRAM 3 INTERNAL PROGRAM 4 INTERNAL PROGRAM 5 INTERNAL PROGRAM 6 INTERNAL PROGRAM 7 NO FUNCTION

Off = 0

### DMX VALUES 1-4

Red = 80  
 Green = 255  
 Blue = 234  
 White = 80  
 Amber = 0  
 UV = 0

### DMX VALUES 25-28

Red = 255  
 Green = 243  
 Blue = 77  
 White = 77  
 Amber = 0  
 UV = 0

### DMX VALUES 49-52

Red = 255  
 Green = 83  
 Blue = 134  
 White = 83  
 Amber = 0  
 UV = 0

### DMX VALUES 73-76

Red = 100  
 Green = 77  
 Blue = 255  
 White = 77  
 Amber = 0  
 UV = 0

### DMX VALUES 5-8

Red = 80  
 Green = 255  
 Blue = 164  
 White = 80  
 Amber = 0  
 UV = 0

### DMX VALUES 29-32

Red = 255  
 Green = 200  
 Blue = 74  
 White = 74  
 Amber = 0  
 UV = 0

### DMX VALUES 53-56

Red = 255  
 Green = 93  
 Blue = 182  
 White = 93  
 Amber = 0  
 UV = 0

### DMX VALUES 77-80

Red = 77  
 Green = 100  
 Blue = 255  
 White = 77  
 Amber = 0  
 UV = 0

### DMX VALUES 9-12

Red = 77  
 Green = 255  
 Blue = 112  
 White = 77  
 Amber = 0  
 UV = 0

### DMX VALUES 33-36

Red = 255  
 Green = 166  
 Blue = 77  
 White = 77  
 Amber = 0  
 UV = 0

### DMX VALUES 57-60

Red = 255  
 Green = 96  
 Blue = 236  
 White = 96  
 Amber = 0  
 UV = 0

### DMX VALUES 81-84

Red = 67  
 Green = 148  
 Blue = 255  
 White = 67  
 Amber = 0  
 UV = 0

### DMX VALUES 13-16

Red = 117  
 Green = 255  
 Blue = 83  
 White = 83  
 Amber = 0  
 UV = 0

### DMX VALUES 37-40

Red = 255  
 Green = 125  
 Blue = 74  
 White = 74  
 Amber = 0  
 UV = 0

### DMX VALUES 61-64

Red = 238  
 Green = 93  
 Blue = 255  
 White = 93  
 Amber = 0  
 UV = 0

### DMX VALUES 85-88

Red = 77  
 Green = 195  
 Blue = 255  
 White = 77  
 Amber = 0  
 UV = 0

### DMX VALUES 17-20

Red = 160  
 Green = 255  
 Blue = 77  
 White = 77  
 Amber = 0  
 UV = 0

### DMX VALUES 41-44

Red = 255  
 Green = 97  
 Blue = 77  
 White = 74  
 Amber = 0  
 UV = 0

### DMX VALUES 65-68

Red = 196  
 Green = 87  
 Blue = 255  
 White = 87  
 Amber = 0  
 UV = 0

### DMX VALUES 89-92

Red = 77  
 Green = 234  
 Blue = 255  
 White = 77  
 Amber = 0  
 UV = 0

### DMX VALUES 21-24

Red = 223  
 Green = 255  
 Blue = 83  
 White = 83  
 Amber = 0  
 UV = 0

### DMX VALUES 45-48

Red = 255  
 Green = 71  
 Blue = 77  
 White = 71  
 Amber = 0  
 UV = 0

### DMX VALUES 69-72

Red = 150  
 Green = 90  
 Blue = 255  
 White = 90  
 Amber = 0  
 UV = 0

### DMX VALUES 93-96

Red = 158  
 Green = 255  
 Blue = 144  
 White = 144  
 Amber = 0  
 UV = 0



### DMX VALUES 97-100

Red = 255  
 Green = 251  
 Blue = 153  
 White = 153  
 Amber = 0  
 UV = 0

### DMX VALUES 125-128

Red = 255  
 Green = 255  
 Blue = 255  
 White = 255  
 Amber = 0  
 UV = 0

### DMX VALUES 153-156

Red = 96  
 Green = 0  
 Blue = 11  
 White = 0  
 Amber = 0  
 UV = 0

### DMX VALUES 181-184

Red = 0  
 Green = 38  
 Blue = 86  
 White = 0  
 Amber = 0  
 UV = 0

### DMX VALUES 101-104

Red = 255  
 Green = 175  
 Blue = 147  
 White = 147  
 Amber = 0  
 UV = 0

### DMX VALUES 129-132

Red = 255  
 Green = 206  
 Blue = 143  
 White = 0  
 Amber = 0  
 UV = 0

### DMX VALUES 157-160

Red = 234  
 Green = 139  
 Blue = 171  
 White = 0  
 Amber = 0  
 UV = 0

### DMX VALUES 185-188

Red = 0  
 Green = 142  
 Blue = 208  
 White = 0  
 Amber = 0  
 UV = 0

### DMX VALUES 105-108

Red = 255  
 Green = 138  
 Blue = 186  
 White = 138  
 Amber = 0  
 UV = 0

### DMX VALUES 133-136

Red = 254  
 Green = 177  
 Blue = 153  
 White = 0  
 Amber = 0  
 UV = 0

### DMX VALUES 161-164

Red = 224  
 Green = 5  
 Blue = 97  
 White = 0  
 Amber = 0  
 UV = 0

### DMX VALUES 189-192

Red = 52  
 Green = 148  
 Blue = 209  
 White = 0  
 Amber = 0  
 UV = 0

### DMX VALUES 109-112

Red = 255  
 Green = 147  
 Blue = 251  
 White = 147  
 Amber = 0  
 UV = 0

### DMX VALUES 137-140

Red = 254  
 Green = 192  
 Blue = 138  
 White = 0  
 Amber = 0  
 UV = 0

### DMX VALUES 165-168

Red = 175  
 Green = 77  
 Blue = 173  
 White = 0  
 Amber = 0  
 UV = 0

### DMX VALUES 193-196

Red = 0  
 Green = 46  
 Blue = 35  
 White = 0  
 Amber = 0  
 UV = 0

### DMX VALUES 113-116

Red = 151  
 Green = 138  
 Blue = 255  
 White = 138  
 Amber = 0  
 UV = 0

### DMX VALUES 141-144

Red = 254  
 Green = 165  
 Blue = 98  
 White = 0  
 Amber = 0  
 UV = 0

### DMX VALUES 169-172

Red = 119  
 Green = 130  
 Blue = 199  
 White = 0  
 Amber = 0  
 UV = 0

### DMX VALUES 197-200

Red = 8  
 Green = 107  
 Blue = 222  
 White = 0  
 Amber = 0  
 UV = 0

### DMX VALUES 117-120

Red = 151  
 Green = 138  
 Blue = 255  
 White = 138  
 Amber = 0  
 UV = 0

### DMX VALUES 145-148

Red = 254  
 Green = 121  
 Blue = 0  
 White = 0  
 Amber = 0  
 UV = 0

### DMX VALUES 173-176

Red = 147  
 Green = 164  
 Blue = 212  
 White = 0  
 Amber = 0  
 UV = 0

### DMX VALUES 201-204

Red = 107  
 Green = 156  
 Blue = 231  
 White = 0  
 Amber = 0  
 UV = 0

### DMX VALUES 121-124

Red = 138  
 Green = 169  
 Blue = 255  
 White = 138  
 Amber = 0  
 UV = 0

### DMX VALUES 149-152

Red = 176  
 Green = 17  
 Blue = 0  
 White = 0  
 Amber = 0  
 UV = 0

### DMX VALUES 177-180

Red = 88  
 Green = 2  
 Blue = 163  
 White = 0  
 Amber = 0  
 UV = 0

### DMX VALUES 205-208

Red = 165  
 Green = 198  
 Blue = 247  
 White = 0  
 Amber = 0  
 UV = 0

**DMX VALUES 217-220**

Red = 1  
 Green = 100  
 Blue = 167  
 White = 0  
 Amber = 0  
 UV = 0

**DMX VALUES 229-232**

Red = 42  
 Green = 165  
 Blue = 85  
 White = 0  
 Amber = 0  
 UV = 0

**DMX VALUES 209-212**

Red = 0  
 Green = 83  
 Blue = 115  
 White = 0  
 Amber = 0  
 UV = 0

**DMX VALUES 213-216**

Red = 0  
 Green = 97  
 Blue = 166  
 White = 0  
 Amber = 0  
 UV = 0

**DMX VALUES 217-220**

Red = 1  
 Green = 100  
 Blue = 167  
 White = 0  
 Amber = 0  
 UV = 0

**DMX VALUES 221-224**

Red = 0  
 Green = 40  
 Blue = 86  
 White = 0  
 Amber = 0  
 UV = 0

**DMX VALUES 225-228**

Red = 209  
 Green = 219  
 Blue = 182  
 White = 0  
 Amber = 0  
 UV = 0

**DMX VALUES 233-236**

Red = 255  
 Green = 0  
 Blue = 0  
 White = 0  
 Amber = 0  
 UV = 0

**DMX VALUES 237-240**

Red = 0  
 Green = 255  
 Blue = 0  
 White = 0  
 Amber = 0  
 UV = 0

**DMX VALUES 241-244**

Red = 0  
 Green = 0  
 Blue = 255  
 White = 0  
 Amber = 0  
 UV = 0

**DMX VALUES 245-248**

Red = 0  
 Green = 0  
 Blue = 0  
 White = 255  
 Amber = 0  
 UV = 0

**DMX VALUES 249-252**

Red = 0  
 Green = 0  
 Blue = 0  
 White = 0  
 Amber = 255  
 UV = 0

**DMX VALUES 253-255**

Red = 0  
 Green = 0  
 Blue = 0  
 White = 0  
 Amber = 0  
 UV = 255

Receive				
User Mode		Standard Basic Extend UserA UserB UserC		
	Edit A Edit B Edit C	MaxChannel PAN :		
Function	Status	RemoteAdd ON/OFF NoDMXMode Blackout/Hold/Auto PanInvert ON/OFF TiltInvert ON/OFF PanDegree 630/540 Feedback ON/OFF Move.Sp Speed1~4 StandBy OFF,01M~99M 15M		
	FixtureID	ServicePIN Password=xxx RDMPID xxxxxx	Password=050"	
	Fan Set	HeadFan Auto High Low		
	LCD.Set	Backlight 02~60m <05m> FlipDisplay ON/OFF KeyLock ON/OFF DispFlash ON/OFF		
	DimCurve	Standard Stage TV Architectural Theatre		
	Temp. C/F	Celsius Fahrenheit		
	Init.Effect	PAN=XXX		
	Wireless	OFF...CH00~14		
	Disp.Set	Chan.Value PAN... SecdSet Secd 1, Secd 2, Secd 3, Auto.Pro Primary/Alone		
	DFSE	ON/OFF		
	Information	Time.Info	Current  TotalTime LastClear  TimerPIN ClearLast	Checkthecurrentrunning time(H) Totaltime(Hours) Clear the running time of fixture(Hours) (Password=050) ON/OFF
		Temp.Info	HeadTemp.	
Error.Info		Pan,Tilt....		
Model.Info		VIZIHEXWASH7		
Software.V		1U01V1.01..... 2U01V1.01..... 3U01V1.01..... 3U02V1.01.....		
Test	Reset.M	Pan&Tilt		
	Test.Chan	PAN.....		
	Panel.Ctrl.	PAN=XXX :		
	Calibrate	-Password- PAN :		
Program	Select .Pro	Pro.Part1= Program1 ~9Program1 Pro.Part2= Program1 ~9Program2 Pro.Part3= Program1 ~9Program3		
	Edit.Pro	Program1 ProgramTest : Step 01=SCxxx Program9 Step64=SCxxx		
	Edit.Sce	EditScene001 Pan, Tilt,..... ~EditScene250 FadeTime SceneTime InputByOutside		
	Sce.Input	XX-XX	videoscenesautomatically	

The main menu is accessed by pressing the MODE button. Browse through the menu by using the UP, DOWN, RIGHT, & LEFT buttons. Press the ENTER button to access the desired menu. You can scroll through the sub-menus using the UP, DOWN, RIGHT, & LEFT buttons. To confirm every selection press the ENTER button. You can exit every menu and sub-menu by pressing the MODE button. The unit will automatically exit the menus if no buttons are pressed after 10 seconds. These next pages will explain each function in the menu layout located on the previous page.

## RECEIVE -

**Set Address** - With this function, you can adjust the desired DMX-address via the Control Board.

1. Access the main menu, and press the UP or DOWN buttons so that “**Receive**” is highlighted, then press ENTER.
2. “**Set Address**” will now be displayed, press ENTER. The current DMX address will now be displayed.
3. Use the UP or DOWN buttons to adjust the DMX address.
4. Press ENTER to confirm or press MODE to return to the main menu.

## USER MODE

**User Mode** - This mode will let you select your desired DMX Channel mode.

1. Press the MODE button to access the main menu. Press the UP or DOWN buttons so that “**User Mode**” is highlighted, then press ENTER.
2. Press the LEFT or RIGHT buttons until “**User Mode**” is displayed, press ENTER.
3. Use the LEFT or RIGHT buttons to scroll through the 3 DMX Channel Modes.

**Standard Mode** - This is 21 Channel Mode.

**Basic Mode** - This is 19 Channel Mode.

**Extended Mode** - This is 27 Channel Mode.

**User Mode A B C** - These are customizable DMX modes. Select either of these modes and set the amount of DMX Channels and what each channel does.

4. Press the MODE button once to return to the “**User Mode Set**” menu.

**Function -****Status**

**Address via DMX** - With this function you can adjust the DMX address via external controller.

1. Press the MODE button to access the main menu. Press the UP or DOWN buttons so that **“Function”** is highlighted, then press ENTER.
2. Press the LEFT or RIGHT buttons until **“Status”** is displayed, press ENTER.
3. Press LEFT or RIGHT buttons, until **“Remote Add”** is displayed, and press ENTER.
4. Either **“Off”** or **“On”** will be displayed, use the UP and DOWN buttons to toggle between.
5. Press ENTER to confirm your selection or press MODE to exit.

***To use this function follow these instructions:***

To adjust the address of your unit you must first go to the address that it is currently set to. From there you can adjust the address. First make sure all channels are set to the value of “0”.

1. On your DMX controller set the DMX value of Channel 1 to the value “7”.
2. Now set the DMX value of Channel 2 to the value “7” to adjust the starting address between 1 and 255. To adjust the address between 256 and 511 set Channel 2 to the value “8”.
3. Set the DMX value of Channel 3 to your desired starting address. This will take about 20 seconds before the unit accepts the new DMX address.

**EXAMPLE:** If you want the address to be 57, you must first set the address that is currently assigned to the unit. Then set Channel 1's value to "7", Channel 2's value to "7", and Channel 3's value to "57". Wait 20 seconds and the address should change on the unit to "57".

**2ND EXAMPLE:** If you want the address to be 420, you must first set the address that is currently assigned to the unit. If you want to set the address to 420, set Channel 1's value to "7", Channel 2's value to "8", and Channel 3's to "164". ( $256 + 164 = 420$ ). **No DMX Mode** - With this function if the DMX signal is suddenly lost, the unit will automatically go into 1 of 3 modes.

1. Press the MODE button to access the main menu. Press the UP or DOWN buttons so that "**Function**" is highlighted, then press ENTER.
2. Press the LEFT or RIGHT buttons until "**Status**" is displayed, press ENTER.
3. Press LEFT or RIGHT buttons, until "**No DMX Mode**" is displayed, and press ENTER.
4. Either "**Hold**" (Last DMX setting), "**Blackout**", or "**Auto**" (Auto Program) will be displayed, use the LEFT or RIGHT buttons to toggle between.
5. Press ENTER to confirm your selection or press MODE to exit.

**Pan Invert** - With this function you can reverse the Pan movement.

1. Press the MODE button to access the main menu. Press the UP or DOWN buttons so that "**Function**" is highlighted, then press ENTER. This function is used with DMX mode.
2. Press the LEFT or RIGHT buttons until "**Status**" is displayed, press ENTER.
3. Press LEFT or RIGHT buttons, until "**Pan Invert**" is displayed, and press ENTER.
4. Either "**Off**" or "**On**" will be displayed, use the LEFT or RIGHT buttons to toggle between.
5. Press ENTER to confirm your selection or press MODE to exit.

**Tilt Invert** - With this function you can reverse the left head Tilt movement. This function is used with DMX mode.

1. Press the MODE button to access the main menu. Press the UP or DOWN buttons so that “**Function**” is highlighted, then press ENTER.
2. Press the LEFT or RIGHT buttons until “**Status**” is displayed, press ENTER.
3. Press LEFT or RIGHT buttons, until “**Tilt Invert**” is displayed, and press ENTER.
4. Either “**Off**” or “**On**” will be displayed, use the LEFT or RIGHT buttons to toggle between.
5. Press ENTER to confirm your selection or press MODE to exit.

**Pan Degree** - With this function you can change the pan degree from 630 to 540. This function is used with DMX mode.

1. Press the MODE button to access the main menu. Press the UP or DOWN buttons so that “**Function**” is highlighted, then press ENTER.
2. Press the LEFT or RIGHT buttons until “**Status**” is displayed, press ENTER.
3. Press LEFT or RIGHT buttons, until “**Pan Degree**” is displayed, and press ENTER.
4. Either “**540**” or “**630**” will be displayed, use the LEFT or RIGHT buttons to toggle between.
5. Press ENTER to confirm your selection or press MODE to exit.

**Feedback** - With this function, you have the pan and tilt position feedback while out of step or not feedback while out of step.

1. Press the MODE button to access the main menu. Press the UP or DOWN buttons so that “**Function**” is highlighted, then press ENTER.
2. Press the LEFT or RIGHT buttons until “**Status**” is displayed, press ENTER.
3. Press LEFT or RIGHT buttons, until “**Feedback**” is displayed, and press ENTER.
4. Either “**Off**” or “**On**” will be displayed, use the LEFT or RIGHT buttons to toggle between.
5. Press ENTER to confirm your selection or press MODE to exit.

**Movement Speed** - With this function you can set the pan and tilt movement speed.

1. Press the MODE button to access the main menu. Press the UP or DOWN buttons so that “**Function**” is highlighted, then press ENTER.
2. Press the LEFT or RIGHT buttons until “**Status**” is displayed, press ENTER.
3. Press LEFT or RIGHT buttons, until “**Move. Speed**” is displayed, and press ENTER.
4. Either “**Speed 1**”, “**Speed 2**”, “**Speed 3**” or “**Speed 4**” will be displayed, use the LEFT or RIGHT buttons to toggle between.
5. Press ENTER to confirm your selection or press MODE to exit.

**Stand By** - With this function the LEDs and step motors will power off if there is no DMX signal within 15 mins (factory default). Once it receives a DMX signal, the fixture will reset itself.

1. Press the MODE button to access the main menu. Press the UP or DOWN buttons so that “**Function**” is highlighted, then press ENTER.
2. Press the LEFT or RIGHT buttons until “**Status**” is displayed, press ENTER.
3. Press LEFT or RIGHT buttons, until “**Stand By**” is displayed, and press ENTER.
4. The current stand by setting will be displayed, use the LEFT or RIGHT buttons to adjust the hibernation period between 01M-99M or “Off”.
5. Press ENTER to confirm your selection or press MODE to exit.



**Fixture ID**

**Password** - With this function you can enter the RDM password so that you can access and change the RDM ID number.

1. Press the MODE button to access the main menu. Press the UP or DOWN buttons so that “**Function**” is highlighted, then press ENTER.
2. Press the LEFT or RIGHT buttons until “**Fixture ID**” is displayed, press ENTER.
3. Press the LEFT or RIGHT buttons until “**ServicePIN**” is displayed, press ENTER.
4. The “**Password**” is 050.
5. Press ENTER or press MODE to exit.

**RDM PID** - RDM stands for “Remote Device Management”. This feature lets you control every aspect of your fixture remotely from an RDM controller. Manual settings like adjusting the DMX address are no longer needed. This is especially useful when the unit is installed in a remote area. In this submenu you can see the units RDM ID number and adjust it as well.

1. Press the MODE button to access the main menu. Press the UP or DOWN buttons so that “**Function**” is highlighted, then press ENTER.
2. Press the LEFT or RIGHT buttons until “**Fixture ID**” is displayed, press ENTER.
3. Press LEFT or RIGHT until “**RDM PID**” is displayed, and press ENTER.
4. “XXXXXX” will be displayed. “XXXXXX” represents the units current RDM ID.
5. Press ENTER or press MODE to exit.

### ***Fan Set***

**Fan Set** - With this function, you can control the fan speed.

1. Access the main menu, and press the UP or DOWN buttons so that “**Function**” is highlighted, then press ENTER.
2. Press the LEFT or RIGHT buttons until “**Fan Set**” is displayed, and press ENTER. The current setting will now be displayed.
3. “**Head Fan**” will now be displayed, press ENTER.
4. Use the LEFT or RIGHT buttons to make the adjustments to the fan.
5. Press ENTER to confirm your selection or press the MODE button to return to the main menu.

### ***LCD.Set***

**Backlight** - With this function you can have the LCD display after 2-60 minutes. Use this function to adjust the time.

1. Press the MODE button to access the main menu. Press the UP or DOWN buttons so that “**Function**” is highlighted, then press ENTER.
2. Press the LEFT or RIGHT buttons until “**LCD.Set**” is displayed, press ENTER.
3. Press LEFT or RIGHT buttons, until “**Backlight**” is displayed, and press ENTER.
4. “**05m**” (5 minutes) will be displayed, use the LEFT or RIGHT buttons to adjust the shutoff time between 02m-60m or “Off”.
5. Press ENTER to confirm your selection or press MODE to exit.

**Flip Display** - With this function you can rotate (flip) the display 180 degrees.

1. Press the MODE button to access the main menu. Press the UP or DOWN buttons so that “**Function**” is highlighted, then press ENTER.
2. Press the LEFT or RIGHT buttons until “**LCD.Set**” is displayed, press ENTER.
3. Press LEFT or RIGHT buttons, until “**Flip Display**” is displayed, and press ENTER.
4. Either “**Off**” or “**On**” will be displayed, use the LEFT or RIGHT buttons to toggle between.
5. Press ENTER to confirm your selection or press MODE to exit.

**Key Lock** - With this function activated the buttons will lock automatically after 15 seconds.

1. Press the MODE button to access the main menu. Press the UP or DOWN buttons so that **“Function”** is highlighted, then press ENTER.
2. Press the LEFT or RIGHT buttons until **“LCD.Set”** is displayed, press ENTER.
3. Press LEFT or RIGHT buttons, until **“Key Lock”** is displayed, and press ENTER.
4. Either **“Off”** or **“On”** will be displayed, use the LEFT or RIGHT buttons to toggle between.
5. Press ENTER to confirm your selection or press MODE to exit.

**DispFlash** - With this function active, the display will flash when the DMX signal is lost.

1. Press the MODE button to access the main menu. Press the UP or DOWN buttons so that **“Function”** is highlighted, then press ENTER.
2. Press the LEFT or RIGHT buttons until **“LCD.Set”** is displayed, press ENTER.
3. Press LEFT or RIGHT buttons, until **“DispFlash”** is displayed, and press ENTER.
4. Either **“Off”** or **“On”** will be displayed, use the LEFT or RIGHT buttons to toggle between.
5. Press ENTER to confirm your selection or press MODE to exit. ***Dim Curve***

**Dim Curve** - With this function you can change dimmer curve setting for LED. See page 46 for the Dimmer Curve Chart.

1. Press the MODE button to access the main menu. Press the UP or DOWN buttons so that “**Function**” is highlighted, then press ENTER.
2. Press the LEFT or RIGHT buttons until “**Dim Curve**” is displayed, press ENTER.
3. The current dimmer curve setting will now be displayed.
4. Use the LEFT or RIGHT buttons to find your desired dimmer curve setting.
5. Press ENTER to confirm your selection or press MODE to exit.

### ***Temperature C/F***

**Temperature C/F** - With this function, you can change the temperature display to show either Celsius or Fahrenheit.

1. Press the MODE button to access the main menu. Press the UP or DOWN buttons so that “**Function**” is highlighted, then press ENTER.
2. Press LEFT or RIGHT buttons, until “**Temp. C/F**” is displayed, and press ENTER.
3. Either “**Celsius**” or “**Fahrenheit**” will be displayed, use the LEFT or RIGHT buttons to toggle between.
4. Press ENTER to confirm your selection or press MODE to exit.

### ***Init.Effect***

**Init.Effect** - In this menu you are able to check the initial effect position.

1. Press the MODE button to access the main menu. Press the UP or DOWN buttons so that “**Function**” is highlighted, then press ENTER.
2. Press the UP or DOWN buttons until “**Init.Effect**” is displayed, press ENTER.
3. “XXX” will be displayed. “XXX” represents the current effect position.
4. Press ENTER or press MODE to exit.

***Wireless On/Off and Address:***

This function is used to activate WiFly and set the wireless address. This address must match the address that is set to WiFly TransCeiver or WiFly controller.

1. Plug the fixture in and access the main menu. Press the UP or DOWN buttons until “**Function**” is displayed, and press ENTER.
2. Press the LEFT or RIGHT buttons until “**Wireless**” is displayed. “XX” represents the current displayed address. Press ENTER to access, and use the LEFT or RIGHT buttons to adjust the wireless channel.
3. When you are finished making your adjustment press ENTER and press the MODE button to exit this menu.

***Disp. Set***

**Chan. Value** - This function will allow you to see the DMX value of each DMX channel that is currently being used at the time.

1. Access the main menu, and press the UP or DOWN buttons so that “**Function**” is highlighted, then press ENTER.
2. Press the LEFT or RIGHT buttons until “**Chan. Value**” is displayed, and press ENTER.
3. A DMX Channel will be displayed. **Example:** Pan, Rotation, LED’s etc... Press ENTER when you find the DMX channel that you would like to check. When you press ENTER the DMX value of that channel will displayed.
4. Press the MODE button to exit.

**Secondry Set** - This function lets you designate the unit as the Secondary in a Primary-Secondary configuration.

1. Access the main menu, and press the UP or DOWN buttons so that “**Function**” is highlighted, then press ENTER.
2. Press the LEFT or RIGHT buttons until “**Secondry Set**” is displayed, and press ENTER.
3. Either Secondry 1, Secondry 2, or Secondry 3 will be displayed. Use the LEFT or RIGHT buttons to find your desired setting and press ENTER, or the press MODE button to exit.

**Auto. Pro** - This function allows the internal programs to run in either stand alone or Primary/Secondary mode. In “Primary” mode the fixture will send DMX data to other fixtures connect via the DMX chain. In “Alone” mode the fixture will operate as a single fixture. The program for this mode is selected in the “Select program” section of the control menu. You can set the number of steps under “Edit program”. You can edit the individual scenes under “Edit scenes”. With this function, you can run the individual scenes either automatically, i.e. with the adjusted Step-Time.

1. Access the main menu, and press the UP or DOWN buttons so that “**Function**” is highlighted, then press ENTER.
2. Press the LEFT or RIGHT buttons until “**Auto. Pro**” is displayed, and press ENTER.
3. Either “Primary” or “Alone” will be displayed. Use the LEFT or RIGHT buttons to find your desired setting.
4. Press ENTER to to make your selection, or press MODE button to exit.

### ***DFSE***

**DFSE** - With this function you can restore the factory settings.

1. Access the main menu, and press the UP or DOWN buttons so that “**Function**” is highlighted, then press ENTER.
2. Press the LEFT or RIGHT buttons so that “**DFSE**” is highlighted, then press ENTER.
3. Either “**Off**” or “**On**” will be displayed, use the LEFT or RIGHT buttons to toggle between. Selecting “**On**” will restore the factory settings.
4. Press ENTER to confirm your selection or press MODE to exit.

**INFORMATION*****Time. Info (Time information is always represented in hours)***

**Current** - This will allow you to check units current running time since power has been activated.

1. Press the MODE button to access the main menu. Press the UP or DOWN buttons so that “**Information**” is highlighted, then press ENTER.
2. Press the LEFT or RIGHT buttons until “**Time. Info**” is displayed, press ENTER.
3. Press LEFT or RIGHT buttons, until “**Current**” is displayed, and press ENTER.
4. “**XXXX**” will now be displayed. “**XXXX**” represents the current running time.
5. Press ENTER or press MODE to exit.

**Total Time** - This will allow you to check units total running time.

1. Press the MODE button to access the main menu. Press the UP or DOWN buttons so that “**Information**” is highlighted, then press ENTER.
2. Press the LEFT or RIGHT buttons until “**Time. Info**” is displayed, press ENTER.
3. Press LEFT or RIGHT buttons, until “**Total Time**” is displayed, and press ENTER.
4. “**XXXX**” will now be displayed. “**XXXX**” represents the total running time.
5. Press ENTER or press MODE to exit.

**Last Clear** - This will show you the last time the time was cleared.

1. Press the MODE button to access the main menu. Press the UP or DOWN buttons so that “**Information**” is highlighted, then press ENTER.
2. Press the LEFT or RIGHT buttons until “**Time. Info**” is displayed, press ENTER.
3. Press LEFT or RIGHT buttons, until “**Last Clear**” is displayed, and press ENTER.
4. Either “**Off**” or “**On**” will be displayed, use the LEFT or RIGHT buttons to toggle between.
5. Press ENTER to confirm your selection or press MODE to exit.

**Timer Pin** - Timer Pin will allow you to clear the running time. See Clear Last for more information.

1. Press the MODE button to access the main menu. Press the UP or DOWN buttons so that “**Information**” is highlighted, then press ENTER.
2. Press the LEFT or RIGHT buttons until “**Time. Info**” is displayed, press ENTER.
3. Press LEFT or RIGHT buttons, until “**Timer Pin**” is displayed, and press ENTER.
4. The “**Timer Pin**” is 050.
5. Press ENTER to confirm or press MODE to exit.

**Clear Last** - This will allow you to clear the LED running time. You need to put in the **Timer Pin** before doing this. Please see **Timer Pin**.

1. Press the MODE button to access the main menu. Press the UP or DOWN buttons so that “**Information**” is highlighted, then press ENTER.
2. Press the LEFT or RIGHT buttons until “**Time. Info**” is displayed, press ENTER.
3. Press LEFT or RIGHT buttons, until “**Clear Last**” is displayed, and press ENTER.
4. Either “**Off**” or “**On**” will be displayed, use the LEFT or RIGHT buttons to toggle between.
5. Press ENTER to confirm or press MODE to exit.



**Temp. Info** - This will allow you to check the moving head temperature.

1. Press the MODE button to access the main menu. Press the UP or DOWN buttons so that “**Information**” is highlighted, then press ENTER.
2. Press the LEFT or RIGHT buttons until “**Temp. Info**” is displayed, press ENTER.
3. “**Head Temp.**” will now be displayed, press ENTER.
4. “**XXX**” will now be displayed. “**XXX**” represents the current temperature of the moving head.
5. Press MODE to exit.

**Error. Info** - This will allow you to see any errors that have occurred.

1. Press the MODE button to access the main menu. Press the UP or DOWN buttons so that “**Information**” is highlighted, then press ENTER.
2. Press the LEFT or RIGHT buttons until “**Error. Info**” is displayed, press ENTER.
3. Any errors that have occurred to Pan, Tilt, etc will now be displayed.
4. Press MODE to exit.

**Model. Info** - This will allow you to see the model name

1. Press the MODE button to access the main menu. Press the UP or DOWN buttons so that “**Information**” is highlighted, then press ENTER.
2. Press the LEFT or RIGHT buttons until “**Model. Info**” is displayed, press ENTER.
3. The model name will now be displayed.
4. Press MODE to exit.

**Software. V** - This will allow you to see the software version you are currently running.

**Software. V** - This will allow you to see the software version you are currently running.

1. Press the MODE button to access the main menu. Press the UP or DOWN buttons so that “**Information**” is highlighted, then press ENTER.
2. Press the LEFT or RIGHT buttons until “**Software. V**” is displayed, press ENTER.
3. The software version will now be displayed.
4. Press MODE to exit.

## TEST

**Reset. M** - With this function you can reset the Pan & Tilt motors.

1. Press the MODE button to access the main menu. Press the UP or DOWN buttons so that “**Test**” is highlighted, then press ENTER.
2. Press the LEFT or RIGHT buttons until “**Reset. M**” is displayed.
3. Press ENTER to reset or press MODE to exit.

**Test. Chan** - With this function you can test each channel function.

1. Press the MODE button to access the main menu. Press the UP or DOWN buttons so that “**Test**” is highlighted, then press ENTER.
2. Press the LEFT or RIGHT buttons until “**Test. Chan**” is displayed, press ENTER.
3. Use the LEFT or RIGHT buttons to scroll through the various channels.
4. Press ENTER to select a channel to test or press MODE to exit.

**Panel. Ctrl** - With this function you can make fine adjustments.

1. Press the MODE button to access the main menu. Press the UP or DOWN buttons so that “**Test**” is highlighted, then press ENTER.
2. Press the LEFT or RIGHT buttons until “**Panel. Ctrl**” is displayed, press ENTER.
3. Use the LEFT or RIGHT buttons to scroll through the various functions.
4. Press ENTER when you find the function you would like to adjust or press MODE to exit.

**Calibrate** - With this function you can calibrate and adjust the effects wheels to their correct positions. The Calibration password 050.

**NOTE: ONLY QUALIFIED TECHNICIANS SHOULD PERFORM THIS FUNCTION.**

1. Press the MODE button to access the main menu. Press the UP or DOWN buttons so that “**Test**” is highlighted, then press ENTER.
2. Press the LEFT or RIGHT buttons until “**Calibrate**” is displayed, press ENTER.
3. “XXXX” will be displayed. The password is 050.
4. Press ENTER to confirm or press MODE to exit.

**PROGRAM**

**EDIT PROGRAM:** - The fixture comes equipped with a built-in DMX recorder that allows custom programs to be installed and recalled directly from the fixture’s control board. Programs can be created and stored using the fixture’s control board or by using an external DMX controller.

**Select. Pro** – This function allows the user to select one of nine of the user defined built-in programs. This program is then accessed in “Function Mode” under “Program Run.”

**Edit. Pro** – This function allows the user to edit the built-in programs.

**Edit. Sce** – This function allows the user to edit or define the actual scenes that are stored in the user defined built-in programs that are accessed in the previous step.

**Sce. Input** - The Vizi Hex Wash7 features an integrated DMX recorder. Preprogrammed scenes can be transmitted to the fixture via any DMX compliant controller. This function allows those scenes to be stored in to the fixture’s built-in memory and then subsequently used to create the user-defined programs.

**Stand-Alone (Auto Program):** This mode allows a single unit to run through a built-in program.

**AUTO PROGRAM:**

1. Access the main menu, and press the UP or DOWN buttons so that **“Function”** is highlighted, then press ENTER.
2. Press the UP or DOWN buttons until **“Disp. Set”** is displayed, and press ENTER.
3. Press the UP or DOWN buttons until **“Auto. Pro”** is displayed, and press ENTER.
4. Either **“Primary”** or **“Alone”** will be displayed. Using the UP or DOWN buttons select **“Alone”** and press ENTER.

**Primary-Secondary Configuration (Auto Program):** This function will allow you to link up to 16 units together and operate without a controller. In a Primary-Secondary set up, one unit will act as the controlling unit and the others will react to the controlling units programs. Any unit can act as a Primary or as a Secondary.

1. Using standard XLR cables, daisy chain your units together via the XLR connector on the rear of the units. Remember the Male XLR connector is the input and the Female XLR connector is the output. The first unit in the chain (Primary) will use the female XLR connector only - The last unit in the chain will use the male XLR connector only. For longer cable runs we suggest a terminator at the last fixture.
2. On your **“Primary”** unit, access the main menu, and press the UP or DOWN buttons so that **“Function”** is highlighted, then press ENTER.
3. Press the UP or DOWN buttons until **“Disp. Set”** is displayed, and press ENTER.
4. Use the UP or DOWN buttons to highlight **“Auto. Pro”** and press ENTER.
5. Either **“Primary”** or **“Alone”** will be displayed. Using the UP or DOWN buttons select **“Primary”** and press ENTER.
6. For your **“Secondary”** units, access the main menu, and press the UP or DOWN buttons so that **“Function”** is highlighted, then press ENTER.
7. Press the UP or DOWN buttons until **“Disp. Set”** is displayed, and press ENTER.

8. Press the UP or DOWN buttons until “**Secondary Set**” is displayed, and press ENTER.
9. Either Secondary 1, Secondary 2, or Secondary 3 will be displayed. Select your desired Secondary setting and press ENTER.
10. Press MODE if you want to return to the main menu.
11. You may invert the pan and tilt functions in the system menu by following the directions on pages 28-29.

With this feature you are able to control the unit with DMX without the need of XLR cables. Your DMX controller must be connected to a ADJ WiFly Transceiver to use this function. You are able to communicate up to 2500 feet/760 meters (open line of sight).

1. Follow the instructions on page 35 to activate WiFly and set the Wireless address. The address must match the address set on the WiFly Transceiver.
2. After you have set the WiFly address, follow the DMX instructions on page 26 to select your desired DMX Channel mode and set your DMX address.
3. Apply power to the ADJ WiFly Transceiver. The fixture must be set up first before you apply power to WiFly Transceiver.

**Note:** If the sync does not work, switch the WiFly power off then on again.

This feature will let you link units to run in a Primary-Secondary mode without the use of XLR cables.

1. Follow the instructions on page 35 to activate WiFly and set the Wireless address. The address must match the address set on the WiFly Transceiver.
2. After you have set the WiFly address, select your Primary unit and set your desired operating mode.
3. For the Secondary units, put the unit in Secondary mode. See page 42 Primary-Secondary configuration when setting the unit as a Secondary.

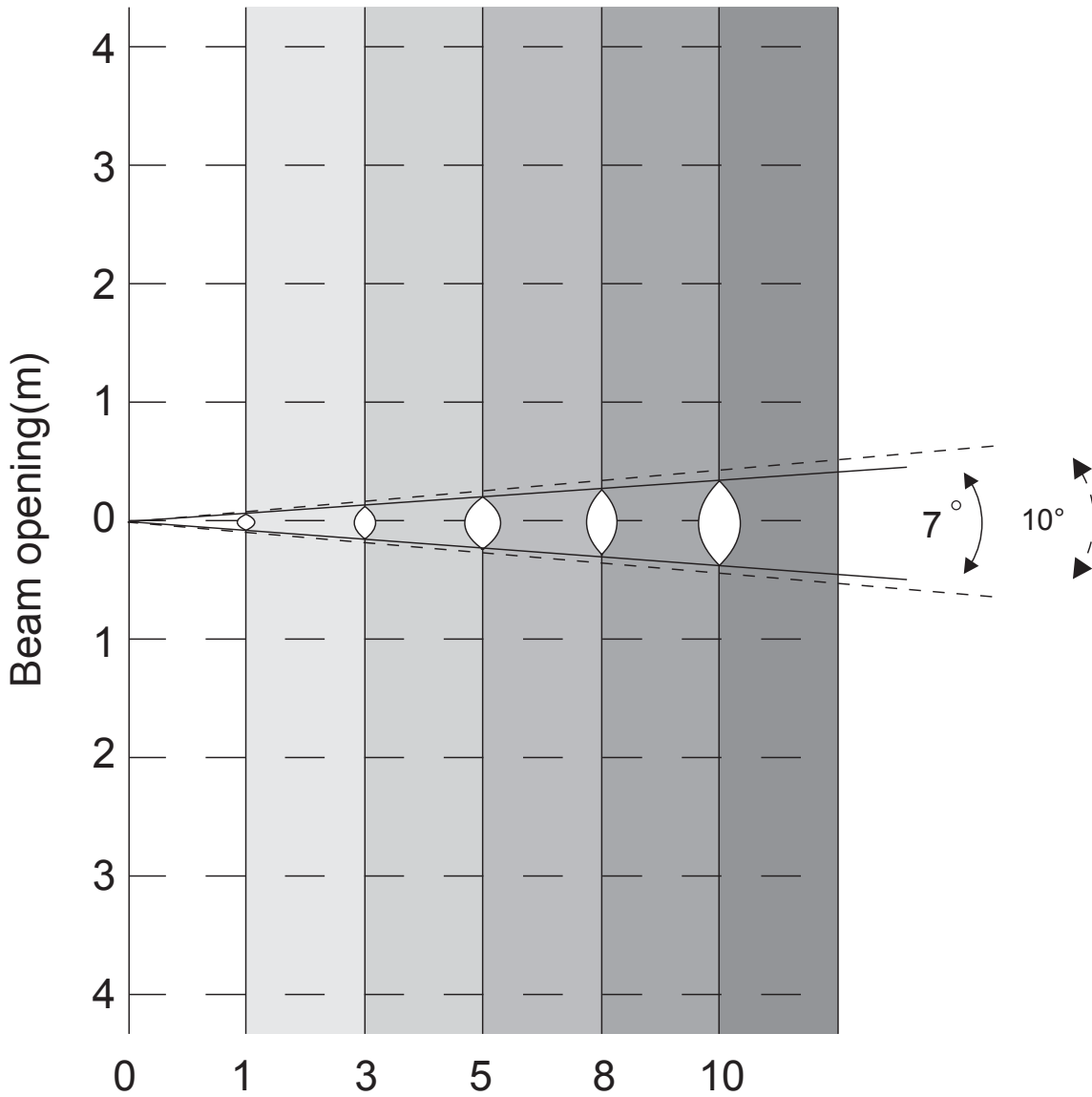
**NOTE: If they do not sync up Primary-Secondary, switch the Primary fixtures WiFly off then on again.**

Beam angle 7°

Field angle 10°

Intensity(LUX)

Red LEDs	4486	1745	774	556	382
Green LEDs	15570	5884	2720	1746	1250
Blue LEDs	1488	607	283	191	101
White LEDs	15140	5735	2642	1753	1230
Amber LEDs	4298	1606	715	486	348
UV LEDs	103	54	28	15	11
Full LEDs	36850	14930	7738	4563	3108



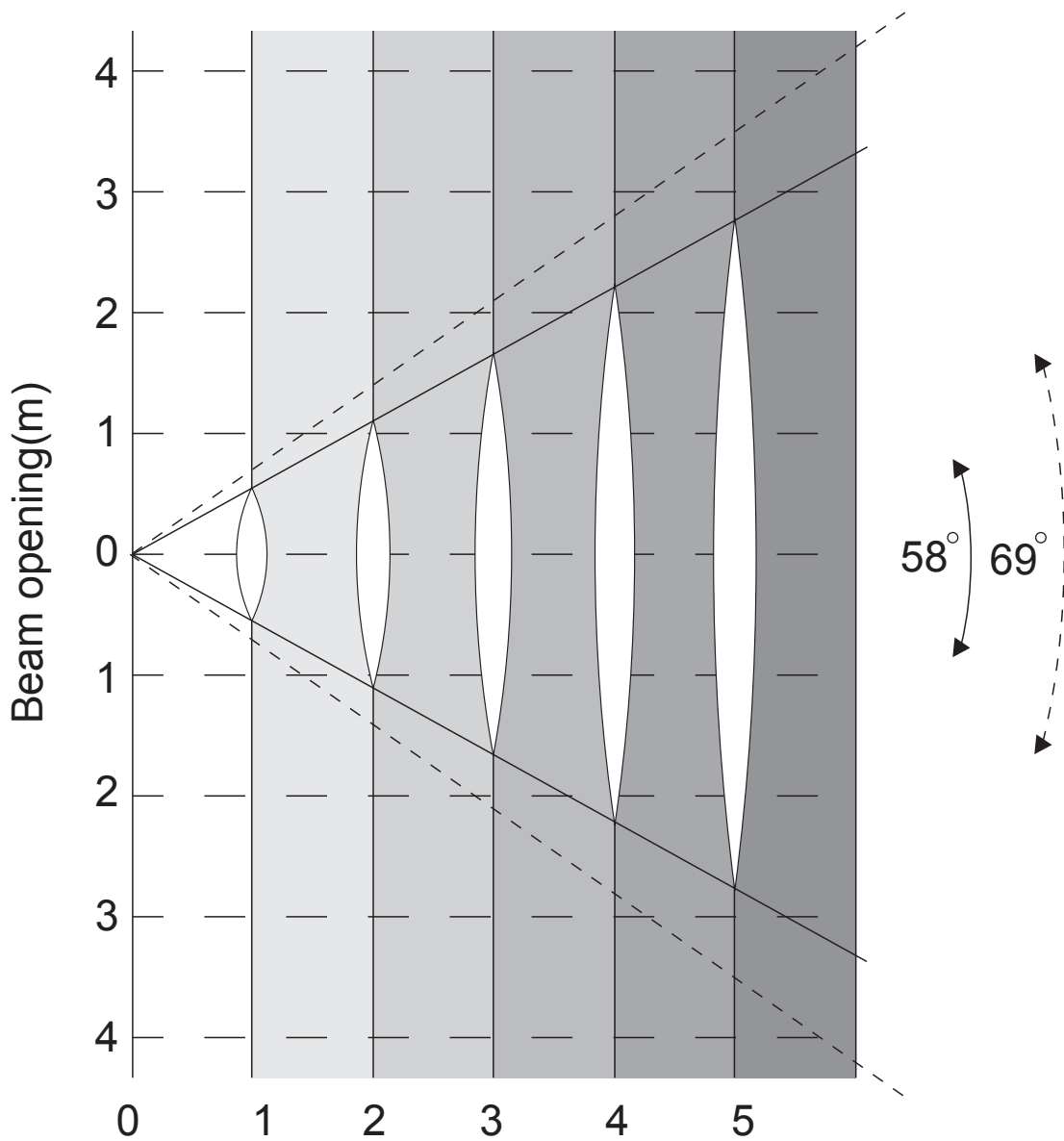
7° Diameter(m)	0.11	0.23	0.31	0.41	0.51
10° Diameter(m)	0.17	0.37	0.53	0.73	0.90

Beam angle 58°

Field angle 69°

Intensity(LUX)

Red LEDs	465	103	46	27	15
Green LEDs	1528	366	166	95	61
Blue LEDs	145	31	13	6	3
White LEDs	1503	361	163	94	61
Amber LEDs	405	91	40	22	12
UV LEDs	12	5	1	0	0
Full LEDs	3619	884	402	235	157



58° Diameter(m)	1.11	2.27	3.42	4.58	5.73
69° Diameter(m)	1.38	2.78	4.18	5.58	6.98

## Vizi Hex Wash7

## Power Cord Daisy Chain

**With this feature you can connect the fixtures to one another using the locking power input and output sockets. The quantity that can be connected is 5 fixtures maximum @ 110V and a maximum 11 fixture's @ 240V. After maximum limit has been reached you will need to use a new power outlet. They must be the same fixtures. DO NOT mix fixtures.**

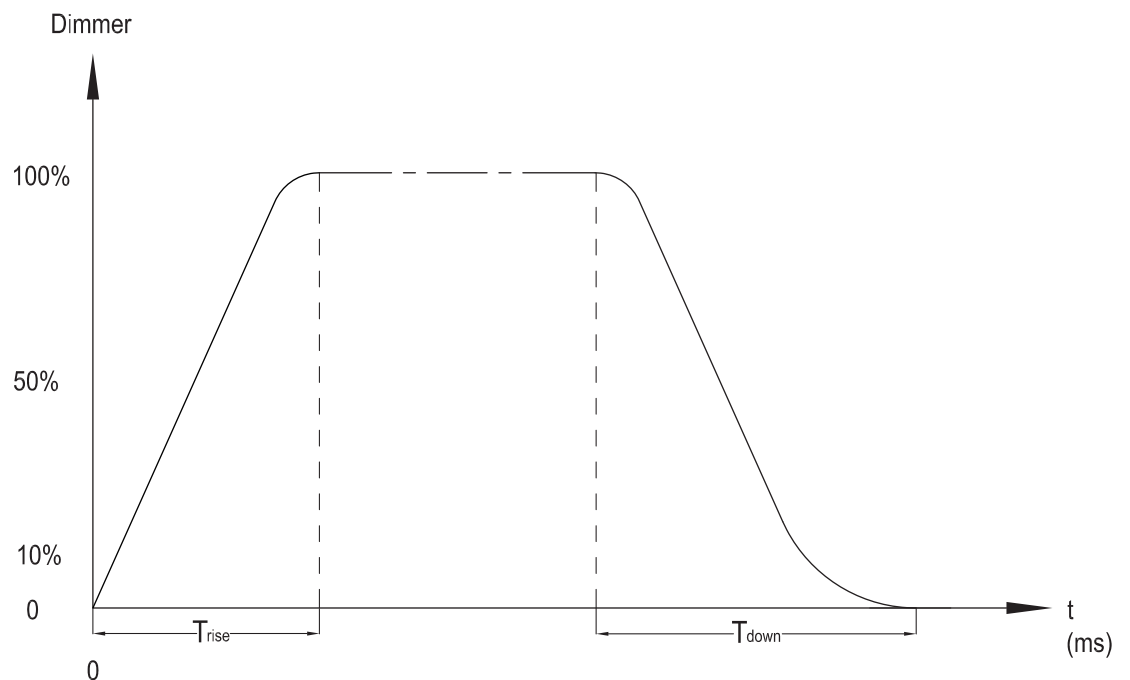
## Vizi Hex Wash7

## Fuse Replacement

**Fuse Replacement:** First unplug the power. The fuse holder is located above the power connection. Using a flat head screw driver unscrew the fuse holder. Remove the bad fuse and replace with a new one.

## Vizi Hex Wash7

## Dimmer Curve Chart



Ramp Effect	OS (Fade Time)		1S (Fade Time)	
	$T_{rise}$ (ms)	$T_{down}$ (ms)	$T_{rise}$ (ms)	$T_{down}$ (ms)
Standard	0	0	0	0
Stage	780	1100	1540	1660
TV	1180	1520	1860	1940
Architectural	1380	1730	2040	2120
Theatre	1580	1940	2230	2280



**Fixture Cleaning:** Due to fog residue, smoke, and dust cleaning the internal and external optical lenses and mirror should be carried out periodically to optimize light output. Cleaning frequency depends on the environment in which the fixture operates (i.e. smoke, fog residue, dust, dew). In heavy club use we recommend cleaning on a monthly basis. Periodic cleaning will ensure longevity, and crisp output.

1. Use normal glass cleaner and a soft cloth to wipe down the outside casing.
2. Use a brush to wipe down the cooling vents and fan grill.
3. Clean the external optics and mirror with glass cleaner and a soft cloth every 20 days.
4. Clean the internal optics with glass cleaner and a soft cloth every 30-60 days.
5. Always be sure to dry all parts completely before plugging the unit back in.

**Trouble Shooting:** Listed below are a few common problems that you may encounter, with solutions.

***No light output from the unit;***

1. Be sure the external fuse has not blown. The fuse is located on the back panel of the unit above the power input connection.
2. Be sure the fuse holder is completely and properly seated.

***Unit does not respond to sound;***

1. Low frequencies (bass) should cause the unit to react to sound. Tapping on the microphone, quiet or high pitched sounds may not activate the unit.

## MANUFACTURER'S LIMITED WARRANTY

- A. ADJ Products, LLC hereby warrants, to the original purchaser, ADJ Products, LLC products to be free of manufacturing defects in material and workmanship for a prescribed period from the date of purchase (see specific warranty period on reverse). This warranty shall be valid only if the product is purchased within the United States of America, including possessions and territories. It is the owner's responsibility to establish the date and place of purchase by acceptable evidence, at the time service is sought.
- B. For warranty service you must obtain a Return Authorization number (RA#) before sending back the product—please contact ADJ Products, LLC Service Department at 800-322-6337. Send the product only to the ADJ Products, LLC factory. All shipping charges must be pre-paid. If the requested repairs or service (including parts replacement) are within the terms of this warranty, ADJ Products, LLC will pay return shipping charges only to a designated point within the United States. If the entire instrument is sent, it must be shipped in its original package. No accessories should be shipped with the product. If any accessories are shipped with the product, ADJ Products, LLC shall have no liability whatsoever for loss of or damage to any such accessories, nor for the safe return thereof.
- C. This warranty is void if the serial number has been altered or removed; if the product is modified in any manner which ADJ Products, LLC concludes, after inspection, affects the reliability of the product; if the product has been repaired or serviced by anyone other than the ADJ Products, LLC factory unless prior written authorization was issued to purchaser by ADJ Products, LLC; if the product is damaged because not properly maintained as set forth in the instruction manual.
- D. This is not a service contract, and this warranty does not include maintenance, cleaning or periodic check up. During the period specified above, ADJ Products, LLC will replace defective parts at its expense with new or refurbished parts, and will absorb all expenses for warranty service and repair labor by reason of defects in material or workmanship. The sole responsibility of ADJ Products, LLC under this warranty shall be limited to the repair of the product, or replacement thereof, including parts, at the sole discretion of ADJ Products, LLC. All products covered by this warranty were manufactured after August 15, 2012, and bear identifying marks to that effect.
- E. ADJ Products, LLC reserves the right to make changes in design and/or improvements upon its products without any obligation to include these changes in any products theretofore manufactured. No warranty, whether expressed or implied, is given or made with respect to any accessory supplied with products described above. Except to the extent prohibited by applicable law, all implied warranties made by ADJ Products, LLC in connection with this product, including warranties of merchantability or fitness, are limited in duration to the warranty period set forth above. And no warranties, whether expressed or implied, including warranties of merchantability or fitness, shall apply to this product after said period has expired. The consumer's and/or Dealer's sole remedy shall be such repair or replacement as is expressly provided above; and under no circumstances shall ADJ Products, LLC be liable for any loss or damage, direct or consequential, arising out of the use of, or inability to use, this product. This warranty is the only written warranty applicable to ADJ Products, LLC Products and supersedes all prior warranties and written descriptions of warranty terms and conditions heretofore published.

## MANUFACTURER'S LIMITED WARRANTY PERIODS:

- **Non L.E.D. Lighting Products=1-year(365days)Limited Warranty** (Such as: Special Effect Lighting, Intelligent Lighting, UV lighting, Strobes, Fog Machines, Bubble Machines, Mirror Balls, Par Cans, Trussing, Lighting Stands etc. excluding LED and lamps)
  - **Laser Products =1 Year (365Days) Limited Warranty** (excluding laser diodes which have a 6 month limited warranty).
  - **L.E.D. Products =2-year(730days) Limited Warranty** (excluding batteries which have a 180 day limited warranty).
- Note: 2Year Warranty only applies to purchases within the United States.**
- **StarTec Series =1 Year Limited Warranty** (excluding batteries which have a 180 day limited warranty).
  - **ADJ DMX Controllers =2Year (730Days) Limited Warranty**



<b>Model:</b>	<b>Vizi Hex Wash7</b>
<b>Voltage:</b>	100~240V, 50/60Hz
<b>LEDs:</b>	7 x 15W RGBWA+UV 6-in-1 LEDs
<b>LED Life:</b>	50,000 Hrs.
<b>Beam Angle:</b>	7 - 58 Degrees
<b>Power Consumption:</b>	137W
<b>Power Cord Daisy Chain:</b>	5 Fixtures Max. (110V) 11 Fixtures Max. (240V)
<b>Dimensions:</b>	11.75”(L) x 8”(W) x 15.75”(H) 300 x 200 x 400mm
<b>Weight:</b>	19 Lbs. / 8.5 kgs.
<b>Colors:</b>	RGBWA+UV
<b>Fuse:</b>	5A (120V) 3A (240V)
<b>Duty Cycle:</b>	None
<b>DMX:</b>	3 DMX Channel Modes: 19 Channels, 21 Channels, or 27 Channels
<b>Control:</b>	RDM (Remote Device Management)
<b>Working Position:</b>	Any Safe, Secure Position
<b>Warranty:</b>	2 Year (730 days)

**Auto Sensing Voltage:** *This fixture contains a automatic voltage switch, which will auto sense the voltage when it is plugged into the power source.*

**Please Note:** *Specifications and improvements in the design of this unit and this manual are subject to change without any prior written notice.*

ADJ Products, LLC  
6122 S. Eastern Ave. Los Angeles, CA 90040 USA  
Tel: 323-582-2650 / Fax: 323-725-6100  
Web: [www.adj.com](http://www.adj.com) / E-mail: [info@americandj.com](mailto:info@americandj.com)

A.D.J. Supply Europe B.V.  
Junostraat 2  
6468 EW Kerkrade  
The Netherlands

Follow Us On:



[facebook.com/americandj](https://facebook.com/americandj)  
[twitter.com/americandj](https://twitter.com/americandj)  
[youtube.com/adjlighting](https://youtube.com/adjlighting)

[service@adjgroup.eu](mailto:service@adjgroup.eu) / [www.adj.eu](http://www.adj.eu)  
Tel: +31 45 546 85 00 / Fax: +31 45 546 85 99